

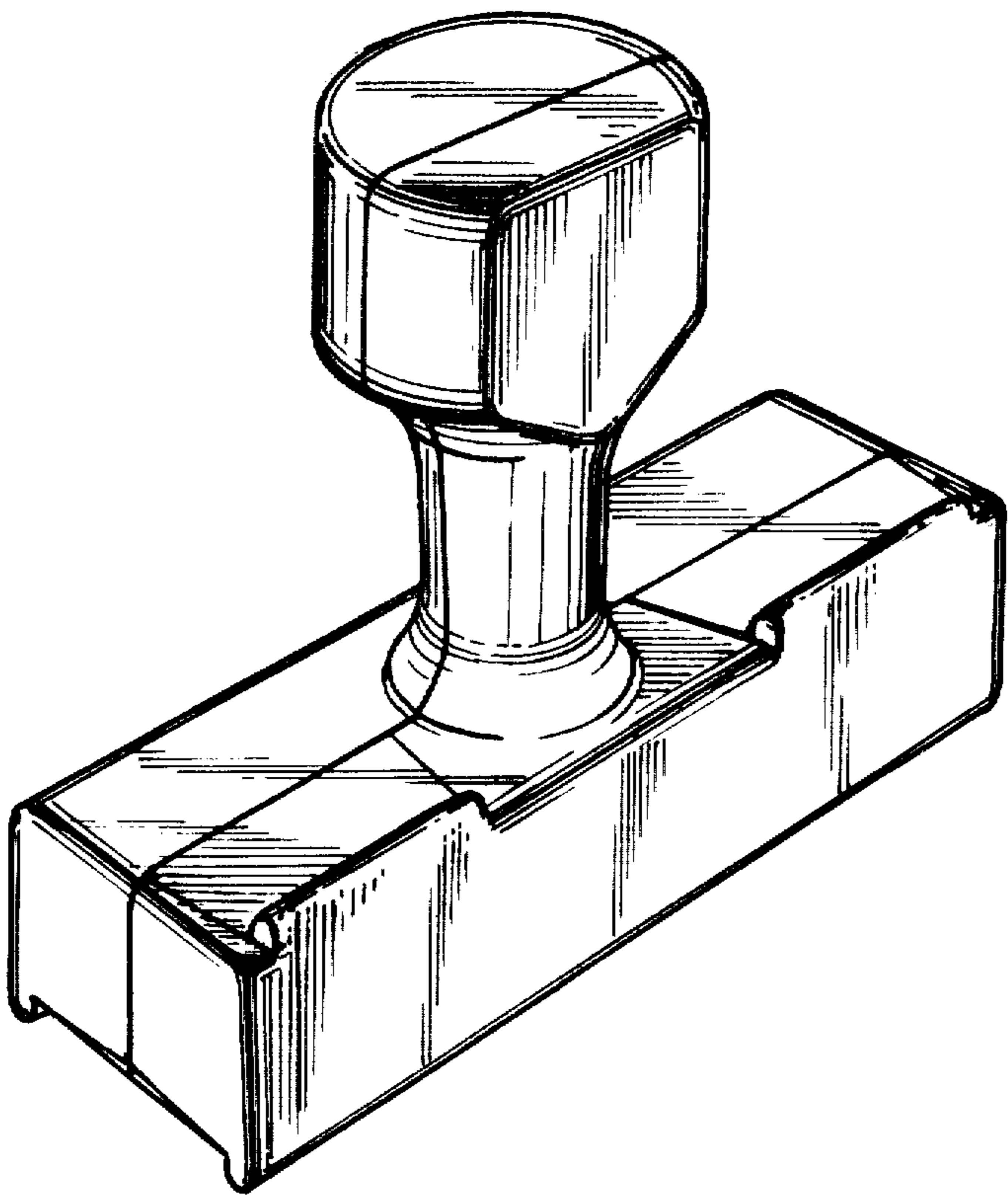
- [54] **PLASTIC MOUNT FOR STAMPING DIE**
- [75] **Inventor:** Edwin W. Goldstein, Scarsdale, N.Y.
- [73] **Assignee:** Crown Marking Equipment Co., Philadelphia, Pa.
- [**] **Term:** 14 Years
- [21] **Appl. No.:** 219,585
- [22] **Filed:** Dec. 23, 1980
- [51] **Int. Cl.** D19-02
- [52] **U.S. Cl.** D18/15
- [58] **Field of Search** D18/13-15, D18/18; 101/368, 371-373, 405, 406

- [56] **References Cited**
U.S. PATENT DOCUMENTS
1,952,302 3/1934 Weissman 101/405
3,302,566 2/1967 Blanchet 101/405
3,759,180 9/1973 Gibbons et al. D18/18 X

OTHER PUBLICATIONS
Flyer from *City Marking Devices Corp.*, N. Y., N. Y., p. 1—"Magna" Stamp.
Primary Examiner—Louis S. Zarfes
Attorney, Agent, or Firm—Hedman, Casella, Gibson & Costigan

[57] **CLAIM**
The ornamental design for a plastic mount for stamping die, as shown.

DESCRIPTION
FIG. 1 is a perspective view of a mount for a stamping die showing my new design;
FIG. 2 is a top plan view thereof;
FIG. 3 is a front elevational view thereof;
FIG. 4 is a side elevational view taken from the left of FIG. 3;
FIG. 5 is a rear elevational view thereof; and
FIG. 6 is a bottom plan view thereof.



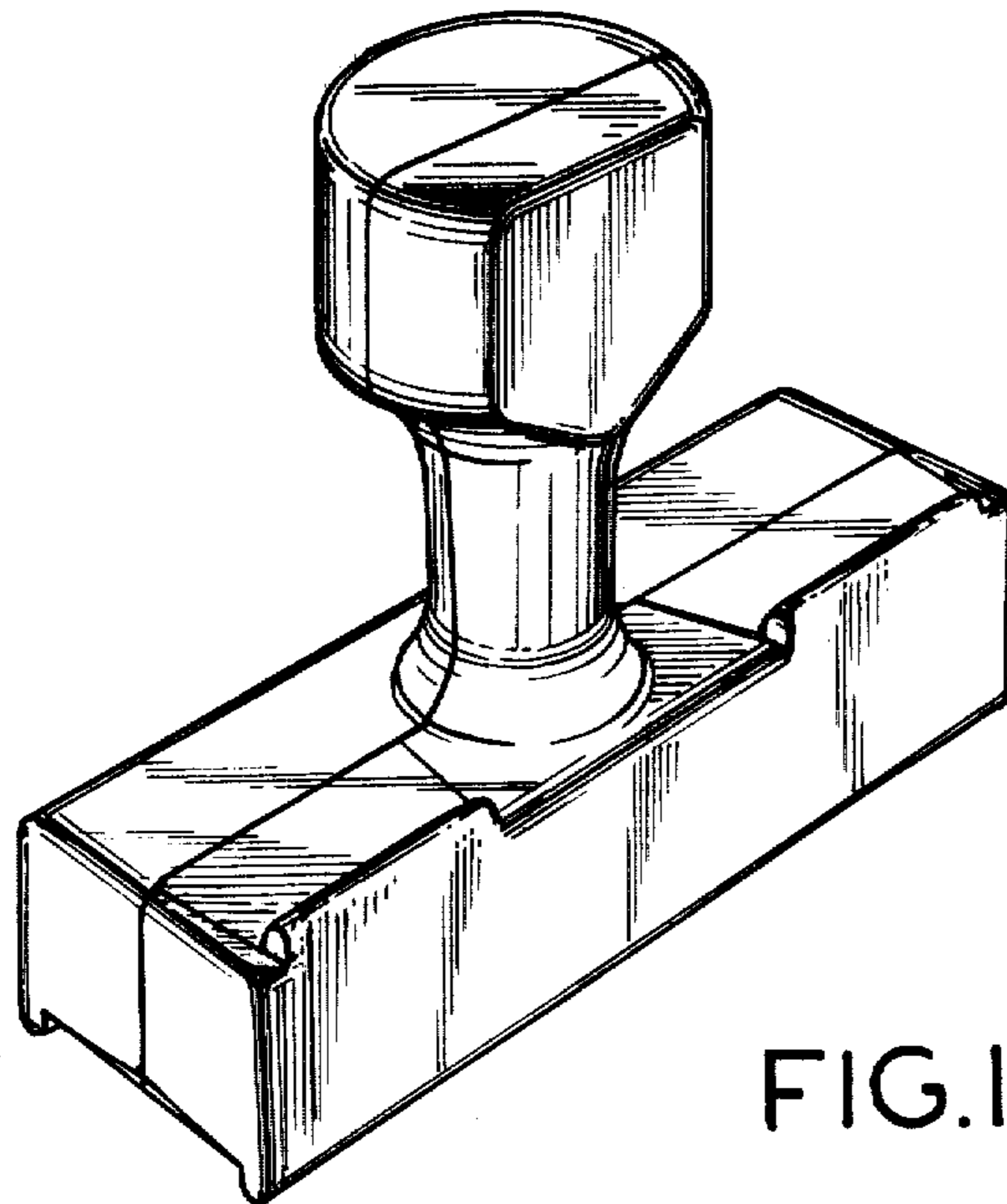


FIG. 1

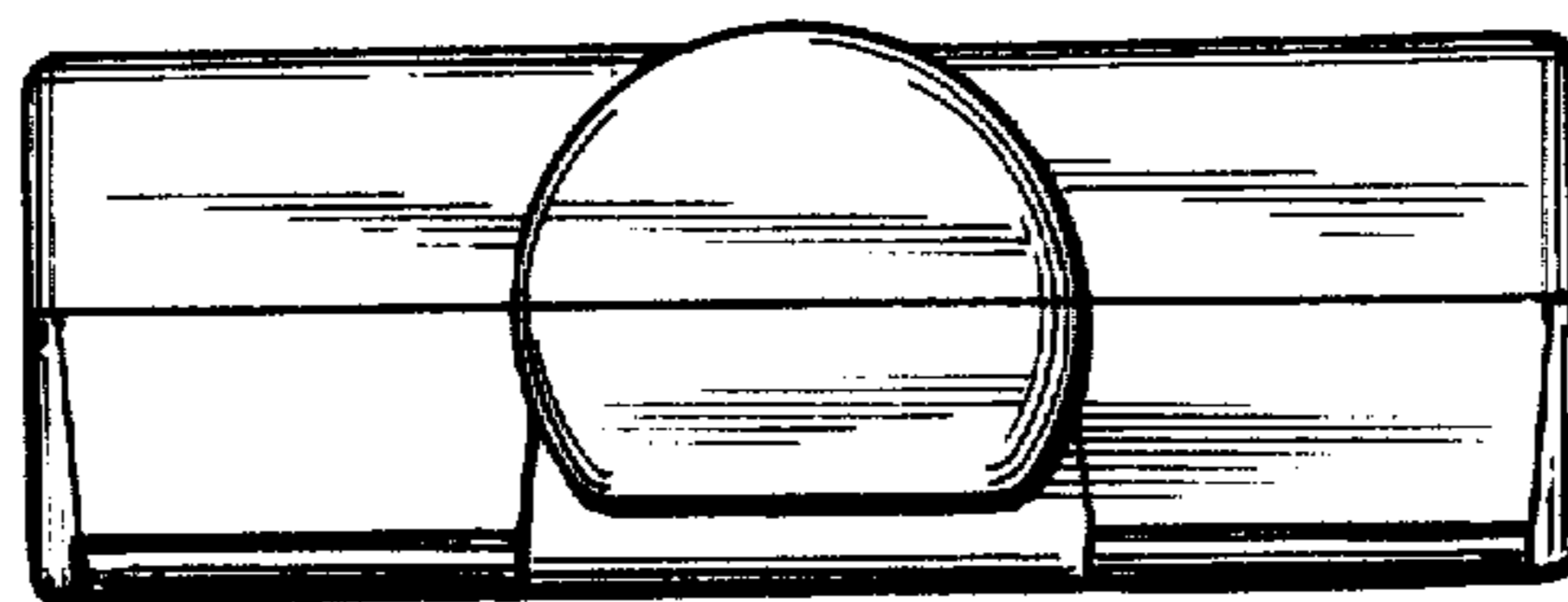


FIG. 2

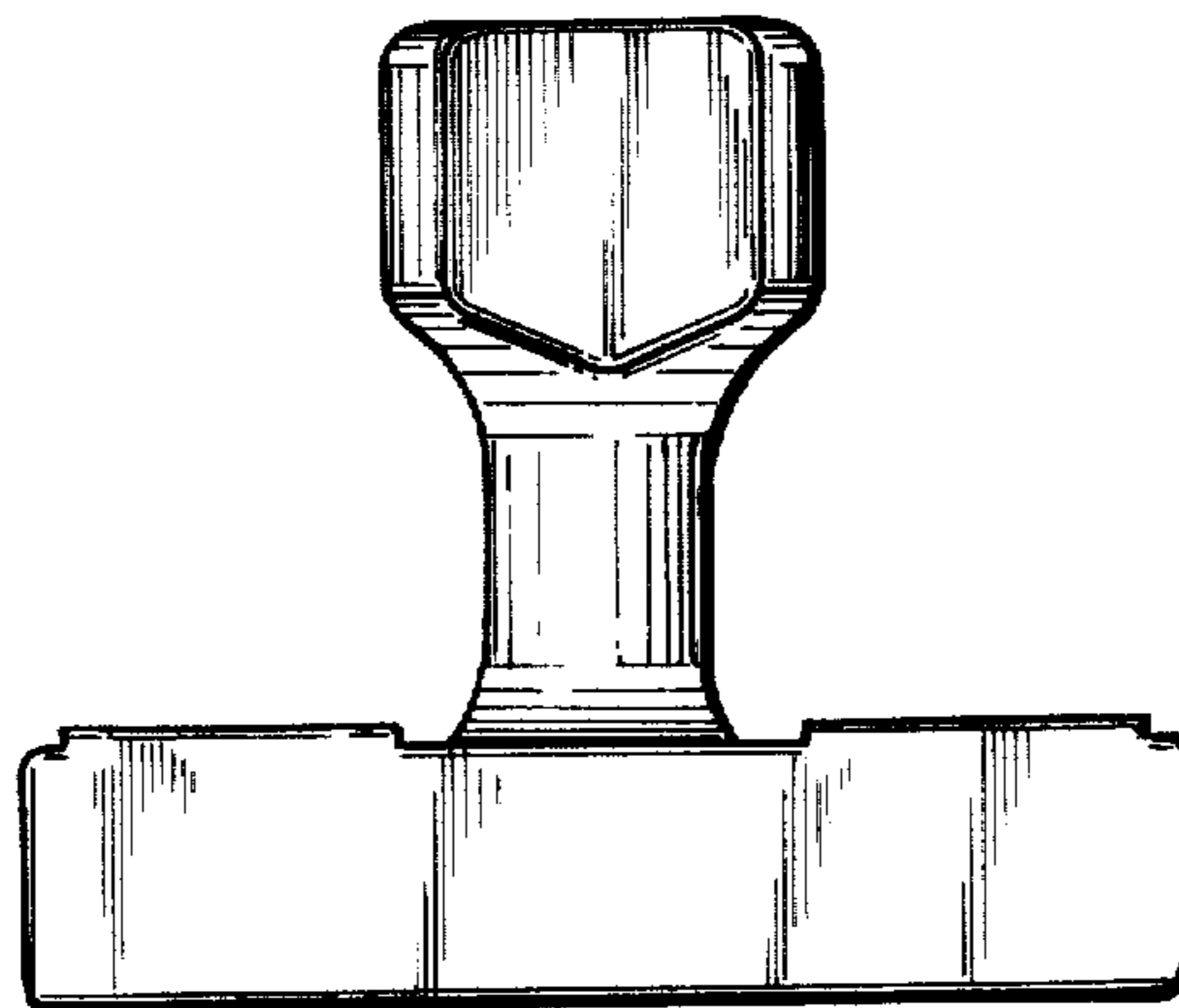


FIG. 3

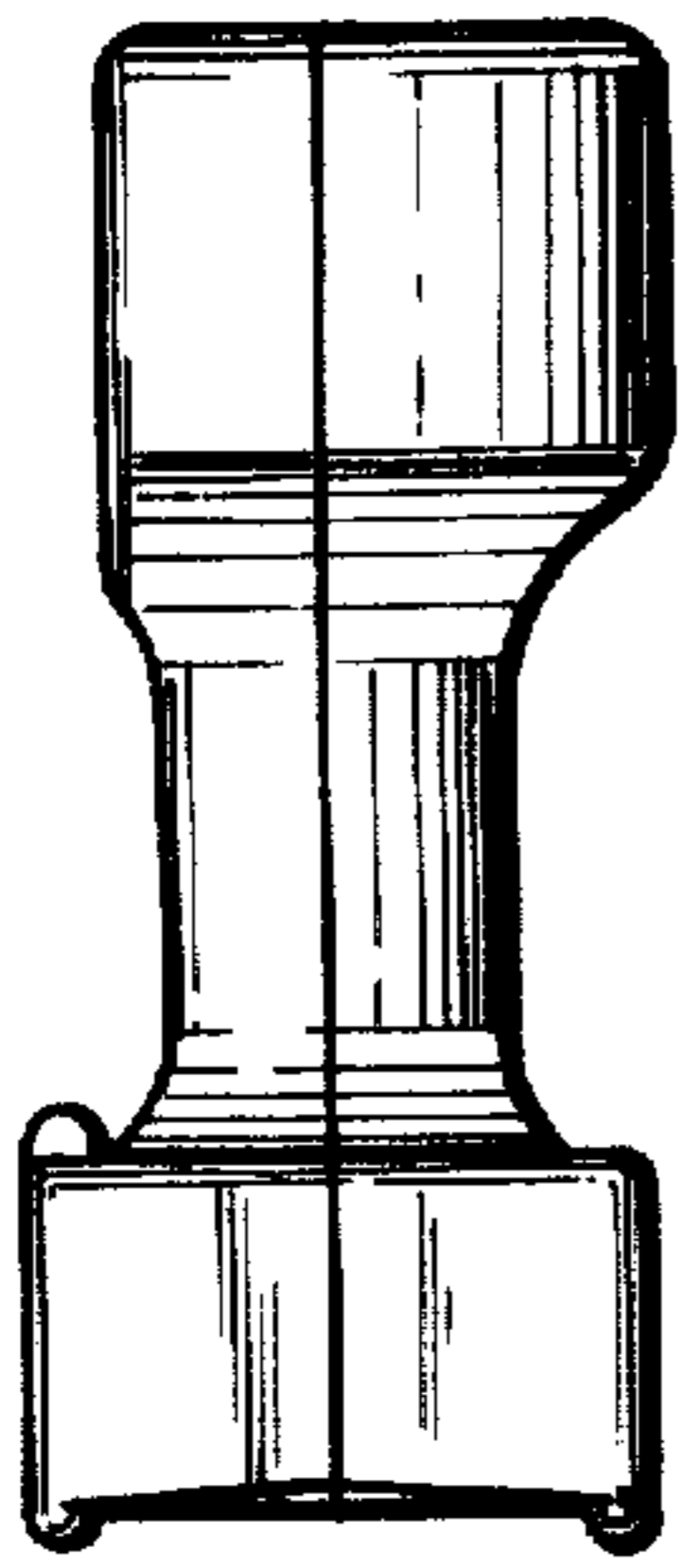


FIG. 4

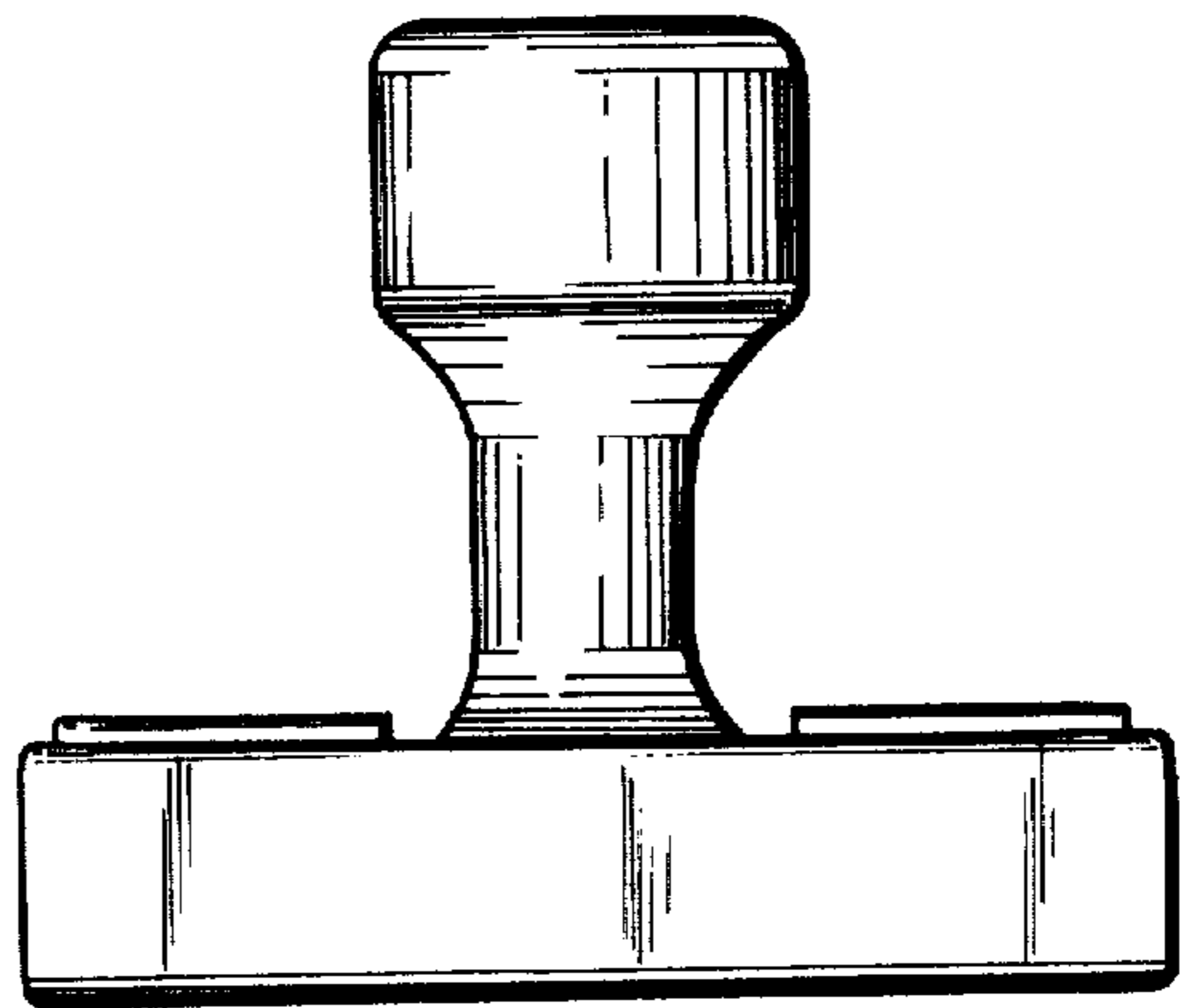


FIG. 5



FIG. 6