

[54] ARTICLE CARRIER

[75] Inventors: **Raymond V. Maroszek**, Neenah;
Clifford G. Peters, Appleton; **Jeffrey J. Tellock**, Neenah, all of Wis.

[73] Assignee: **American Can Company**, Greenwich, Conn.

[**] Term: **14 Years**

[21] Appl. No.: **94,399**

[22] Filed: **Nov. 14, 1979**

[51] Int. Cl. **D9-03**

[52] U.S. Cl. **D9/418; D9/433**

[58] Field of Search 206/45.19, 45.31, 434;
229/52 A, 52 B, 52 BC; D9/341, 346, 414, 418,
432, 433

[56] References Cited

U.S. PATENT DOCUMENTS

D. 219,084	10/1970	Moore	D9/432 X
1,624,439	4/1927	Senat	229/52 B X
2,396,473	3/1946	Powell	206/200 X
3,314,532	4/1967	Henry	229/52 B X
3,417,911	12/1968	Hennessey	229/52 B X
3,698,625	10/1972	Graser	229/52 B
3,722,782	3/1973	Collie	229/52 B X
3,933,303	1/1976	Kirby, Jr.	229/52 BC X

Primary Examiner—Robert C. Spangler
Attorney, Agent, or Firm—Robert P. Auber; George P. Ziehmer; Harry W. Hargis, III

[57] CLAIM

The ornamental design for an article carrier, substantially as shown and described.

DESCRIPTION

FIG. 1 is a top perspective view of an article carrier showing our new design; and FIG. 2 is a bottom perspective view taken from the side opposite FIG. 1, the broken lines showing articles being for illustrative purposes only.

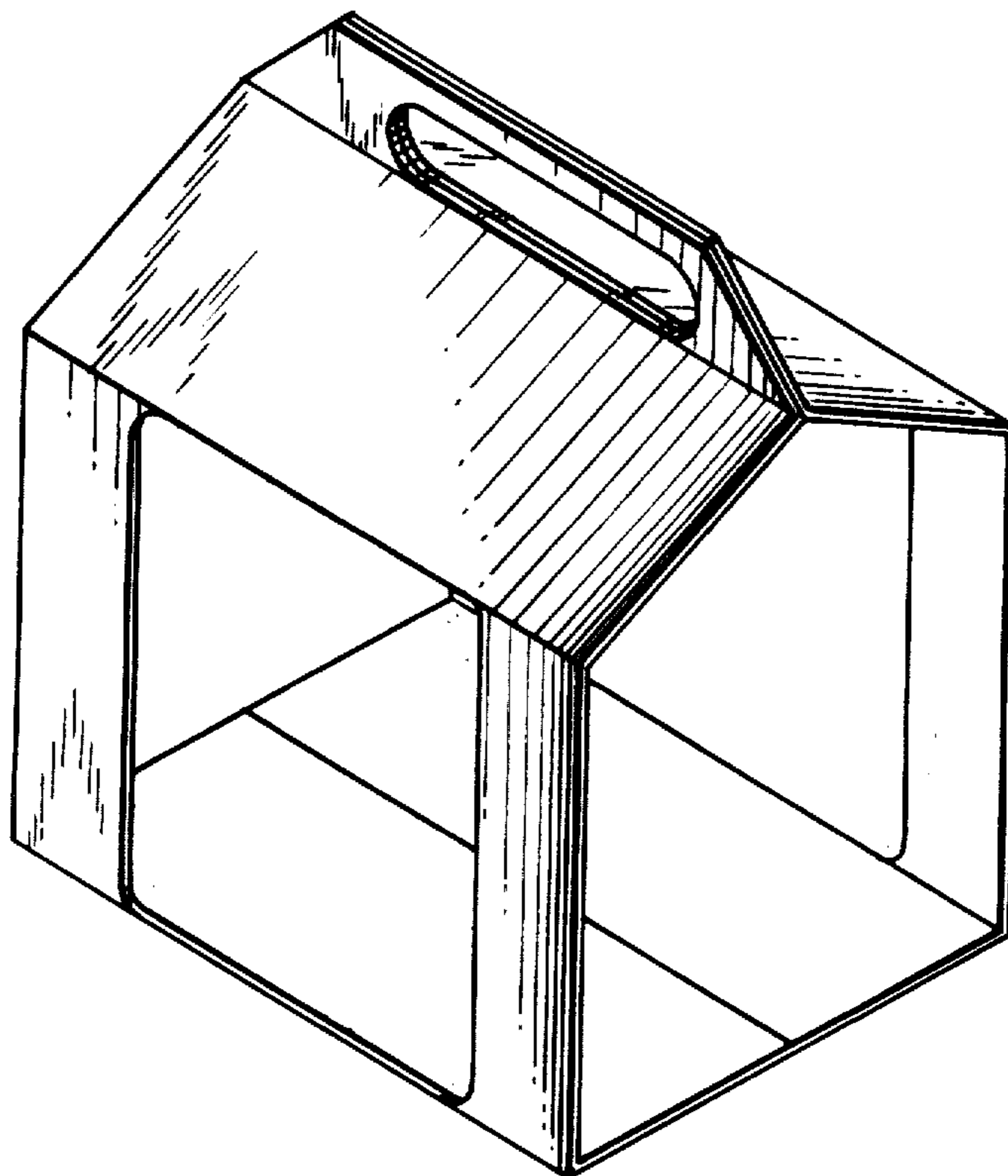


FIG. 1

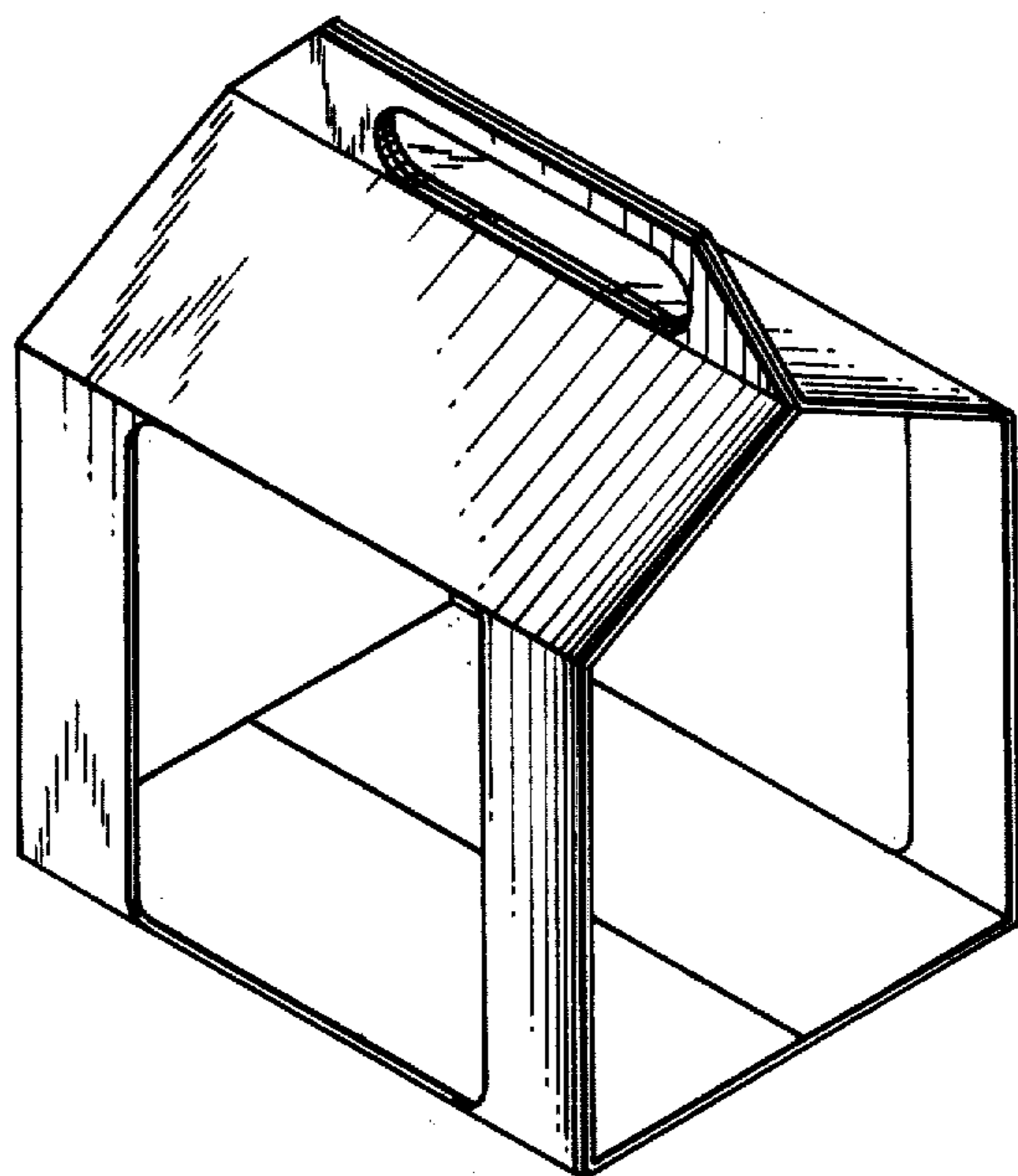


FIG. 2

