

- [54] **ARTICLE CARRIER**  
[75] **Inventor: Raymond V. Maroszek, Neenah, Wis.**  
[73] **Assignee: American Can Company, Greenwich, Conn.**  
[\*\*] **Term: 14 Years**  
[21] **Appl. No.: 105,402**  
[22] **Filed: Dec. 19, 1979**  
[51] **Int. Cl. .... D9—03**  
[52] **U.S. Cl. .... D9/418; D9/433**  
[58] **Field of Search .... 206/45.19, 45.31, 434; 229/52 A, 52 B, 52 BC; D9/341, 346, 414, 418, 432, 433**

- [56] **References Cited**  
**U.S. PATENT DOCUMENTS**  
1,624,439 4/1927 Senat ..... 229/52 B

2,396,473	3/1946	Powell	.....	206/200 X
3,314,532	4/1967	Henry	.....	229/52 B X
3,698,625	10/1972	Graser	.....	229/52 B
3,722,782	3/1973	Collie	.....	229/52 B X
3,933,303	1/1976	Kirby, Jr.	.....	229/52 BC X

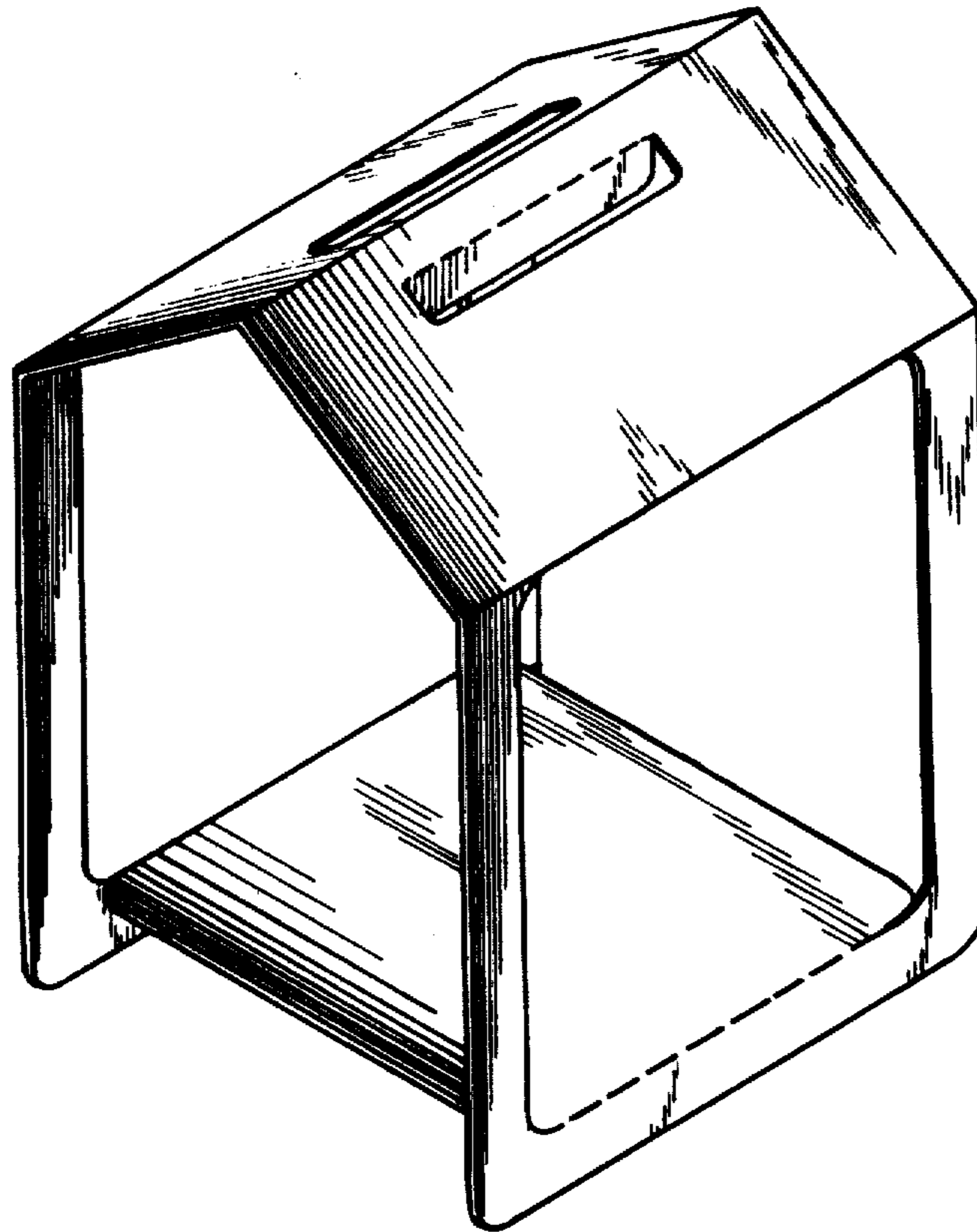
*Primary Examiner*—Robert C. Spangler  
*Attorney, Agent, or Firm*—Robert P. Auber; George P. Ziehmer; Harry W. Hargis, III

[57] **CLAIM**

The ornamental design for an article carrier, substantially as shown and described.

**DESCRIPTION**

FIG. 1 is a top perspective view of an article carrier showing my new design; and FIG. 2 is a bottom perspective view taken from the side opposite FIG. 1. The broken lines showing articles are for illustrative purpose only. The remaining broken lines represent fold lines.



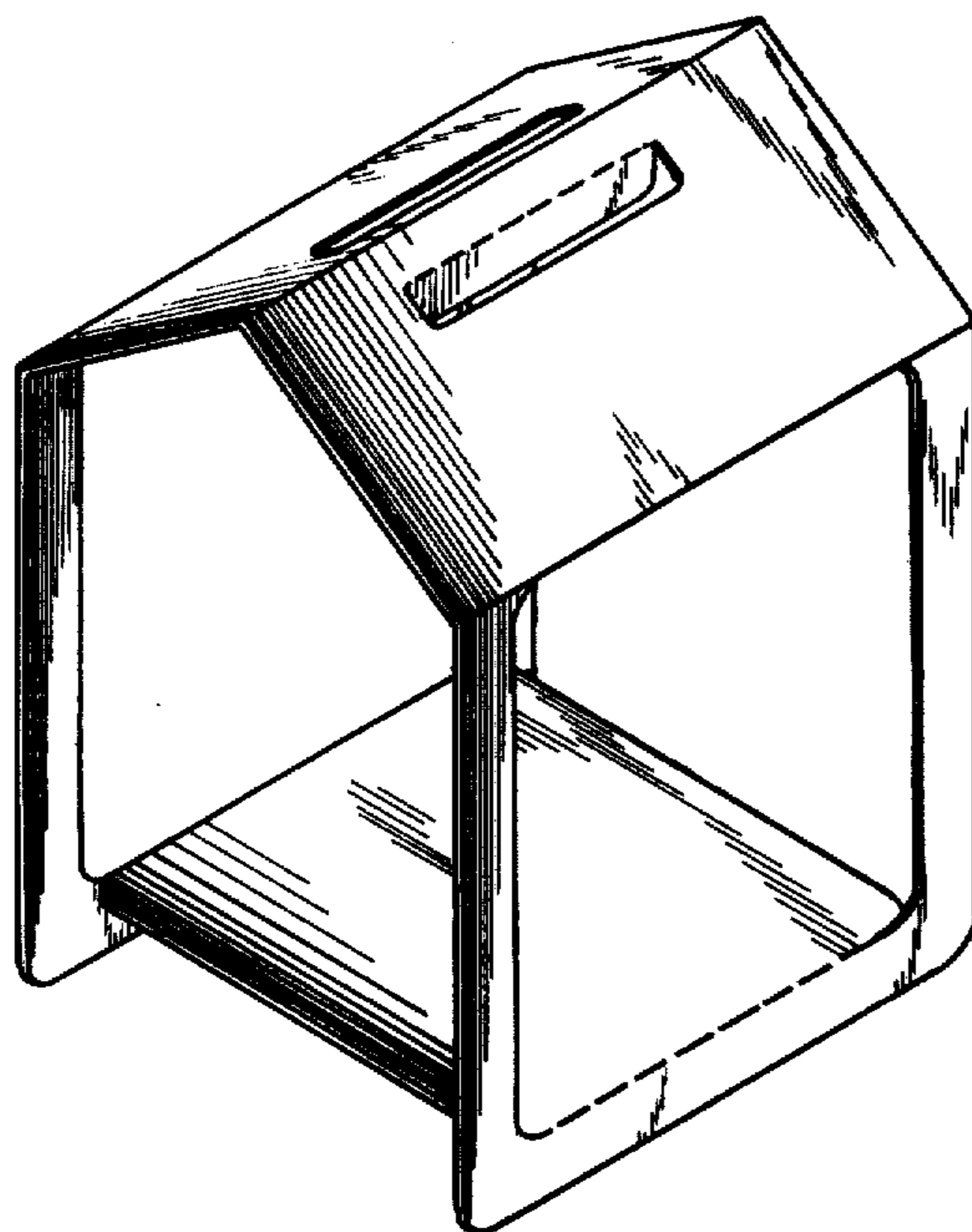


FIG. 1

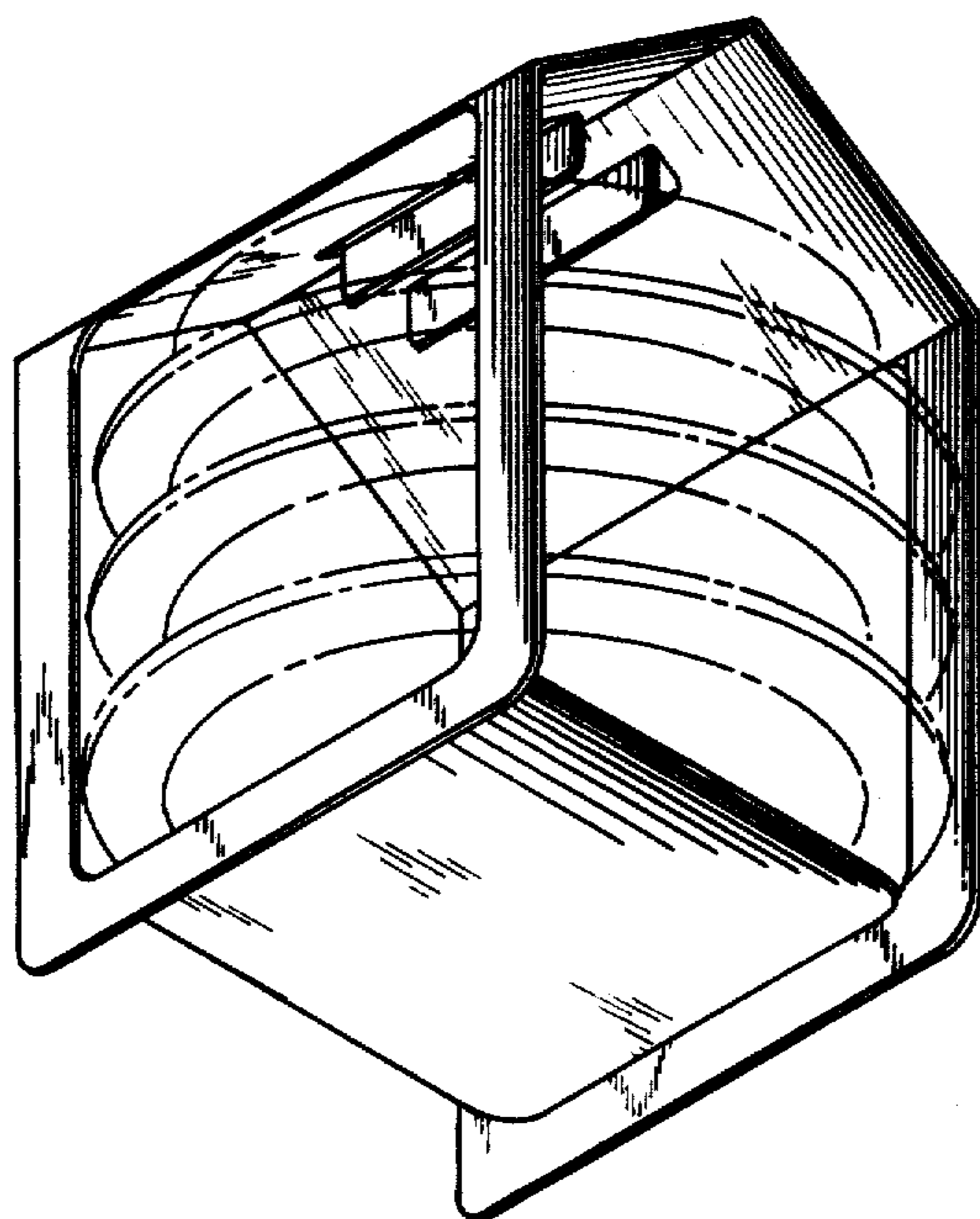


FIG. 2