

- [54] TRAY
- [75] Inventor: Edward H. Kneale, III, 335 Pleasant Pines Ave., Centerville, Mass. 02632
- [73] Assignee: Edward H. Kneale, III, Hyannis, Mass.
- [**] Term: 14 Years
- [21] Appl. No.: 232,292
- [22] Filed: Feb. 5, 1981
- [51] Int. Cl. D07-99
- [52] U.S. Cl. D7/21; D7/37
- [58] Field of Search D7/21, 19, 38, 37, 130, D7/45; D6/60, 70; D34/38

- D. 188,431 7/1960 Quistgaard D7/21
- D. 232,340 8/1974 Lax D7/71
- D. 263,919 4/1982 Anderson, Jr. D7/130
- 4,127,072 11/1978 Le Pon D6/186 X

OTHER PUBLICATIONS

HFD-Retailing Home Furnishings, Jun. 25, 1979, Sec. 2, p. 3, Carborundum Wooden Ware, slatted board at left.

Primary Examiner—Winifred E. Herrmann
Attorney, Agent, or Firm—Irvin A. Lavine

CLAIM

The ornamental design for tray, as shown and described.

DESCRIPTION

FIG. 1 is a perspective view of a tray embodying my new design.

FIG. 2 is a top plan view thereof.

FIG. 3 is a side view thereof.

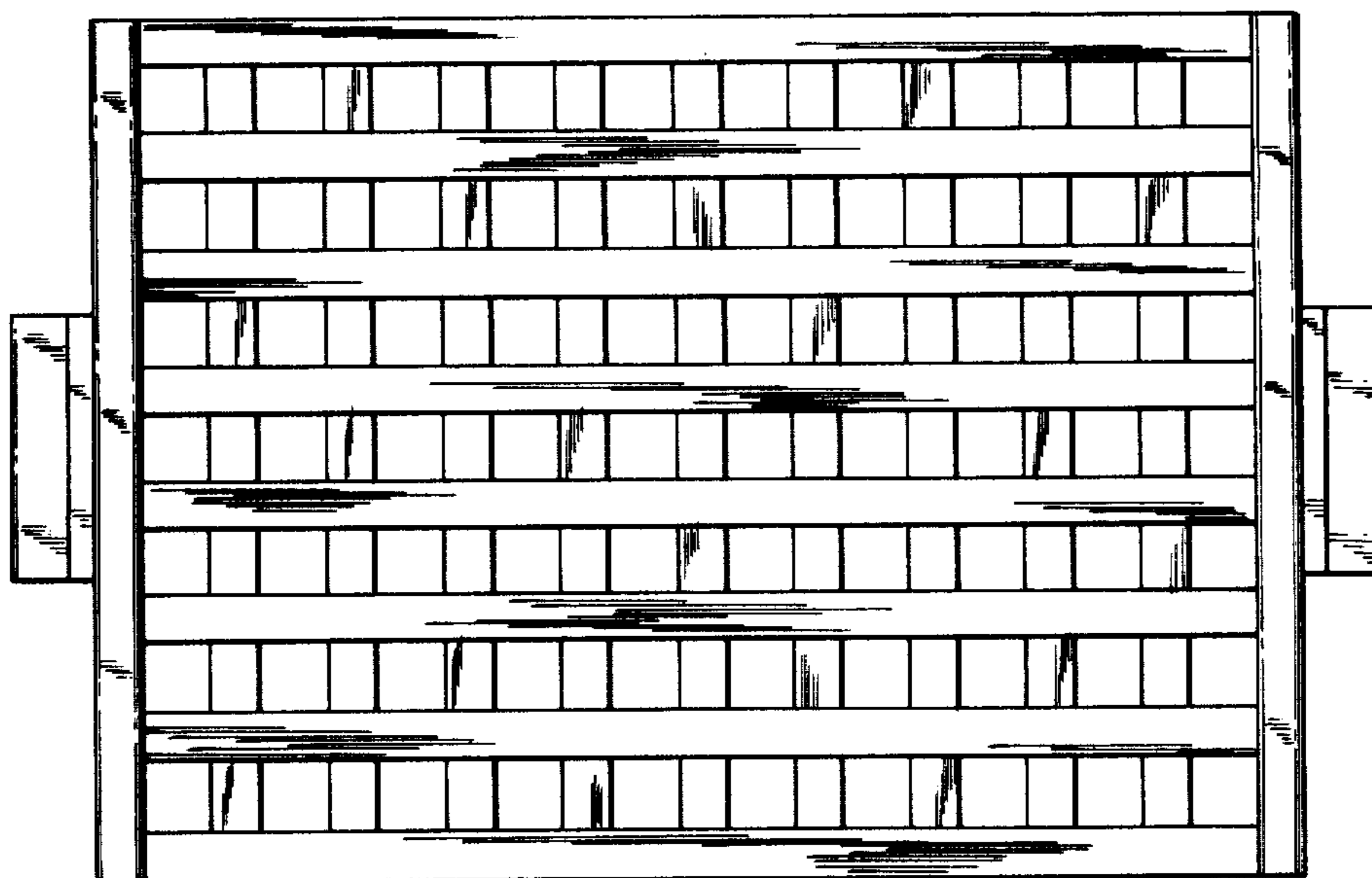
FIG. 4 is a bottom plan view thereof.

FIG. 5 is an end view thereof.

References Cited

U.S. PATENT DOCUMENTS

- D. 101,465 10/1936 Knapp D7/21
- D. 169,648 5/1953 Zaic D7/21



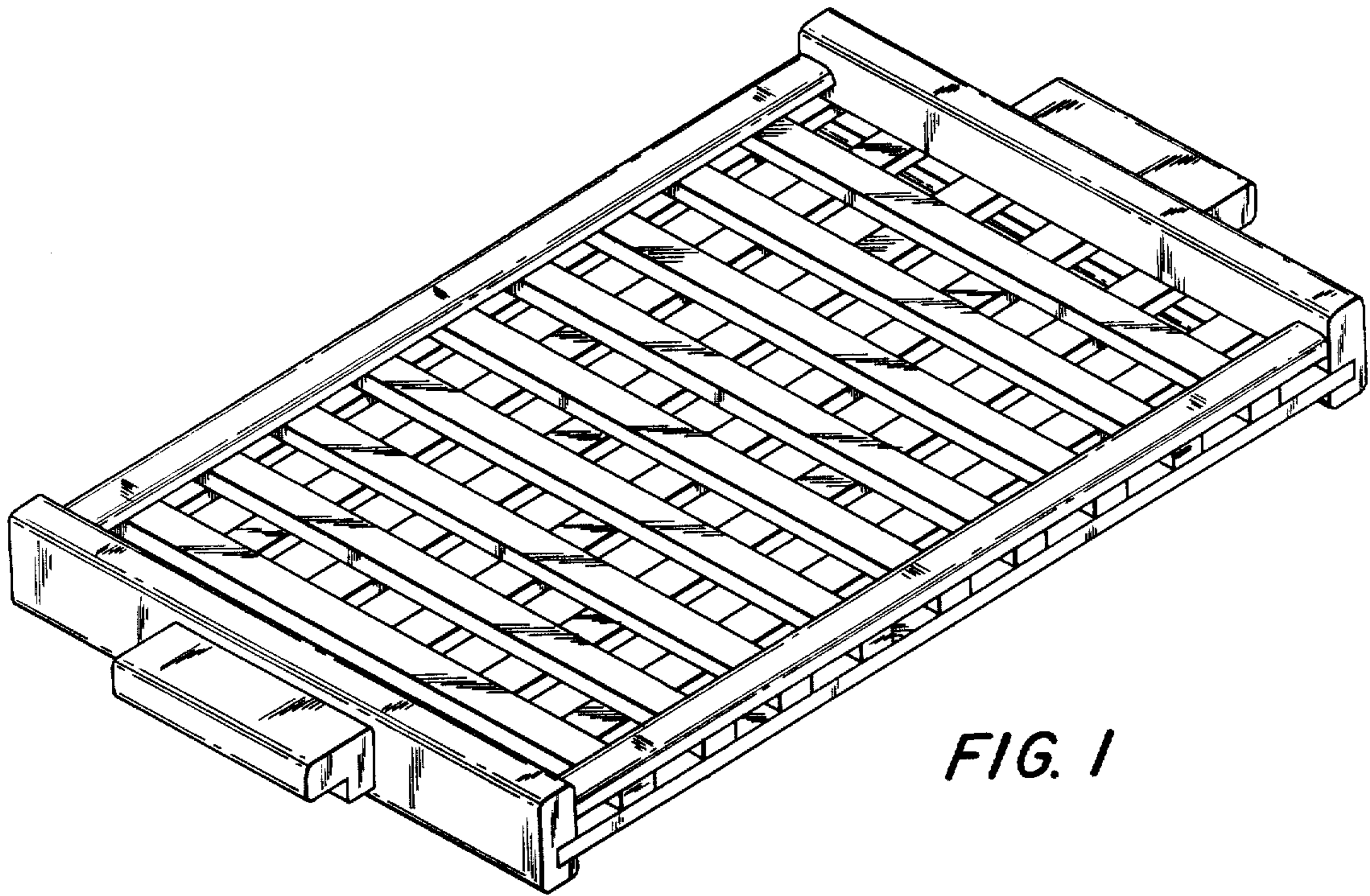


FIG. 1

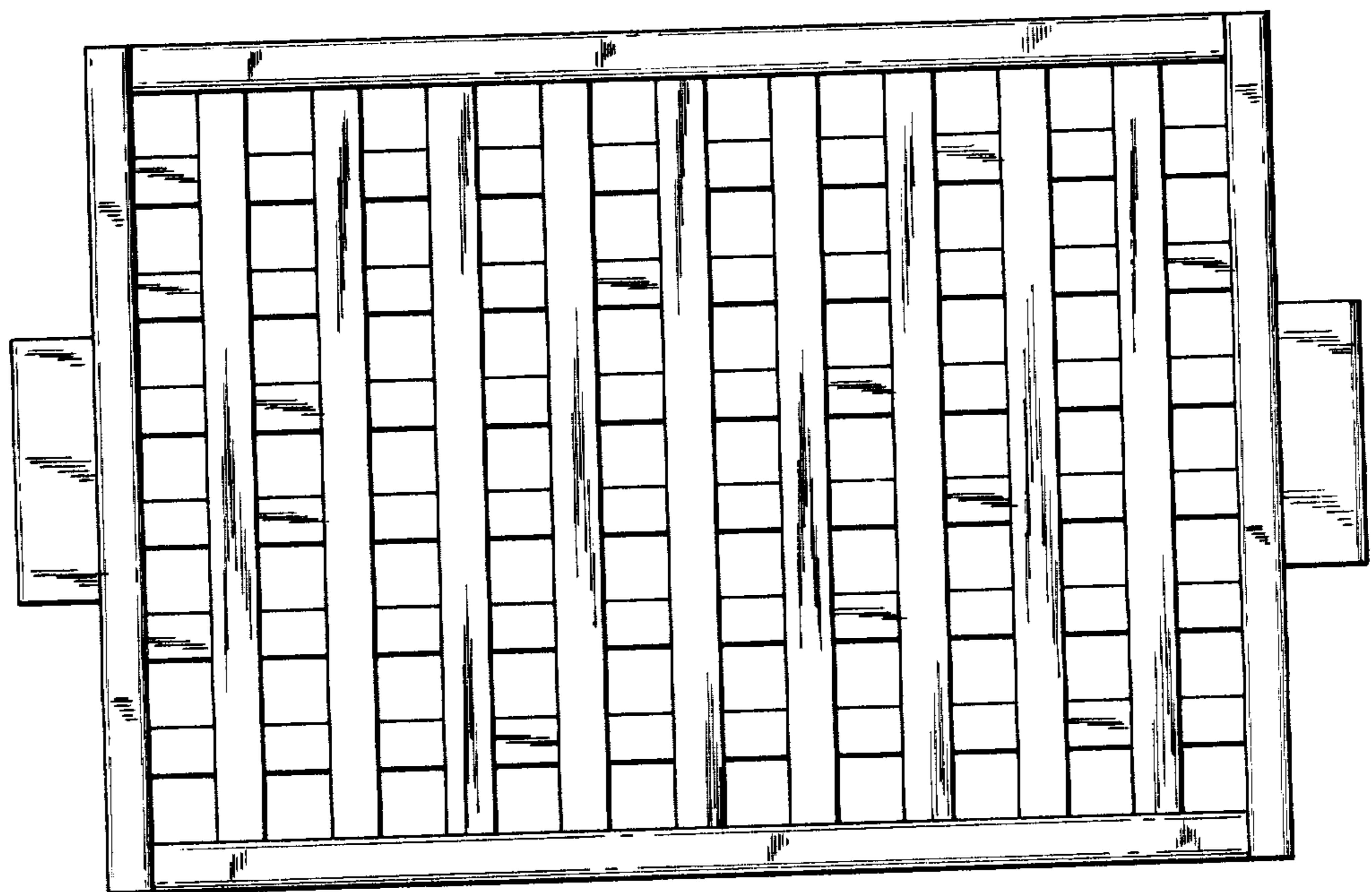


FIG. 2

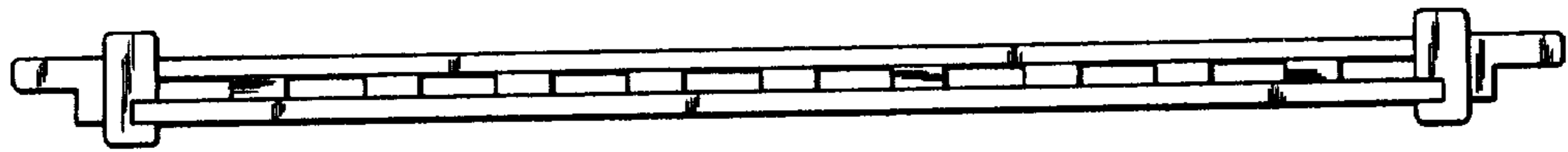


FIG. 3

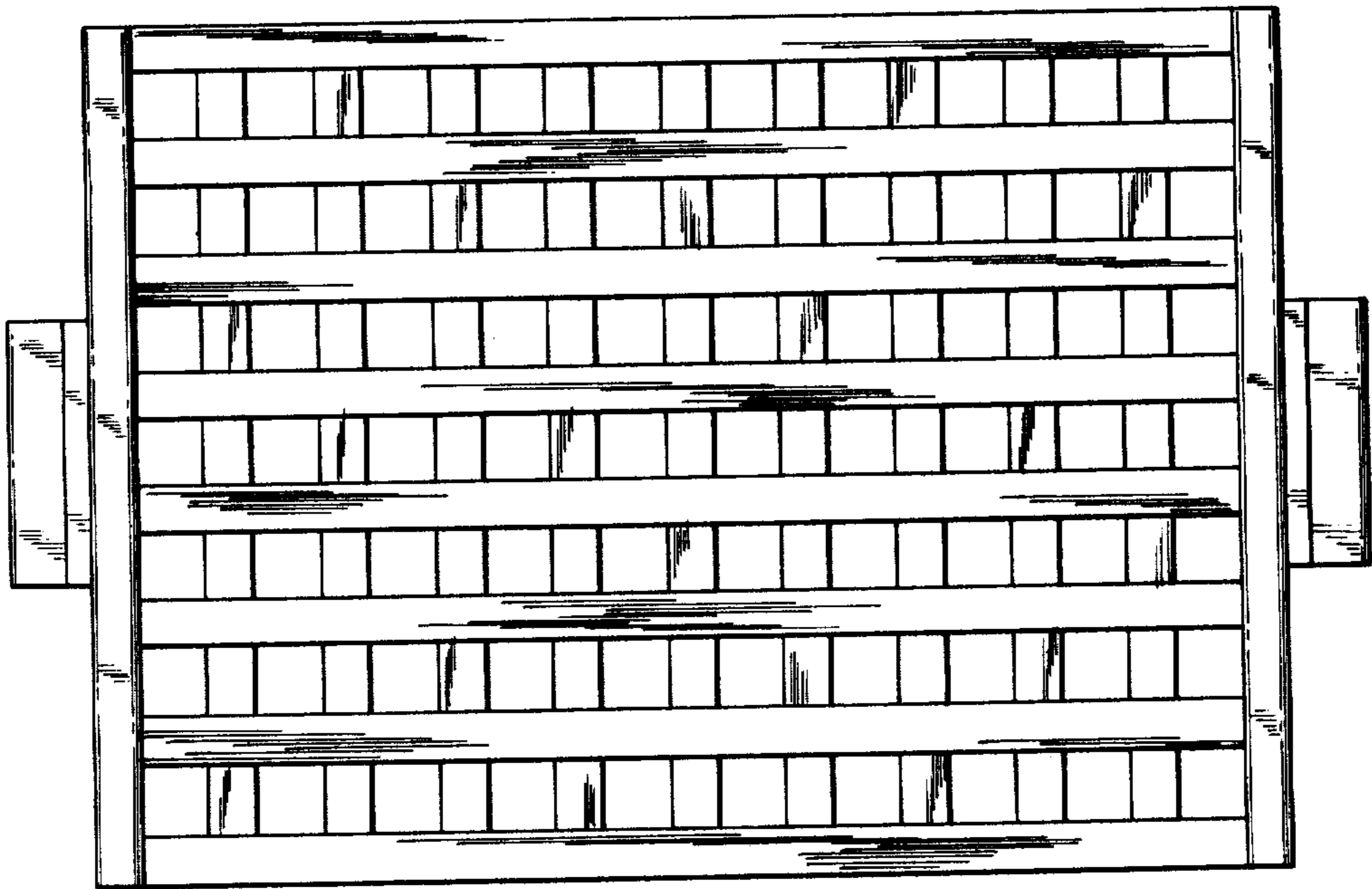


FIG. 4

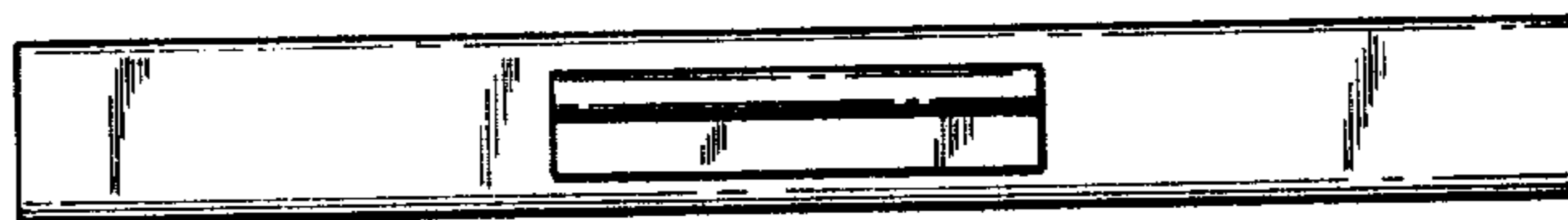


FIG. 5