

[54] CABINET

[75] Inventor: Bryan McKinnon, St. Laurent, Canada

[73] Assignee: Robert A. Elder, Chateauguay Centre, Canada

[\*\*] Term: 14 Years

[21] Appl. No.: 789,273

[22] Filed: Apr. 20, 1977

Related U.S. Application Data

[62] Division of Ser. No. 616,896, Sep. 25, 1975, Pat. No. Des. 247,274.

[51] Int. Cl. .... D6-04

[52] U.S. Cl. .... D6/172

[58] Field of Search .... D6/172-186, D6/157, 167, 171

[56]

References Cited

U.S. PATENT DOCUMENTS

- D. 151,342 10/1948 Glass ..... D6/172
- D. 179,434 12/1956 Wycoski et al. .... D6/173 X
- D. 225,502 12/1972 Miller ..... D6/181
- D. 228,051 8/1973 Shimaoka et al. .... D6/181
- D. 242,102 11/1976 Stirling ..... D6/177
- 3,591,930 7/1971 Little ..... D6/181 X

Primary Examiner—Bruce W. Dunkins  
Attorney, Agent, or Firm—Wenderoth, Lind & Ponack

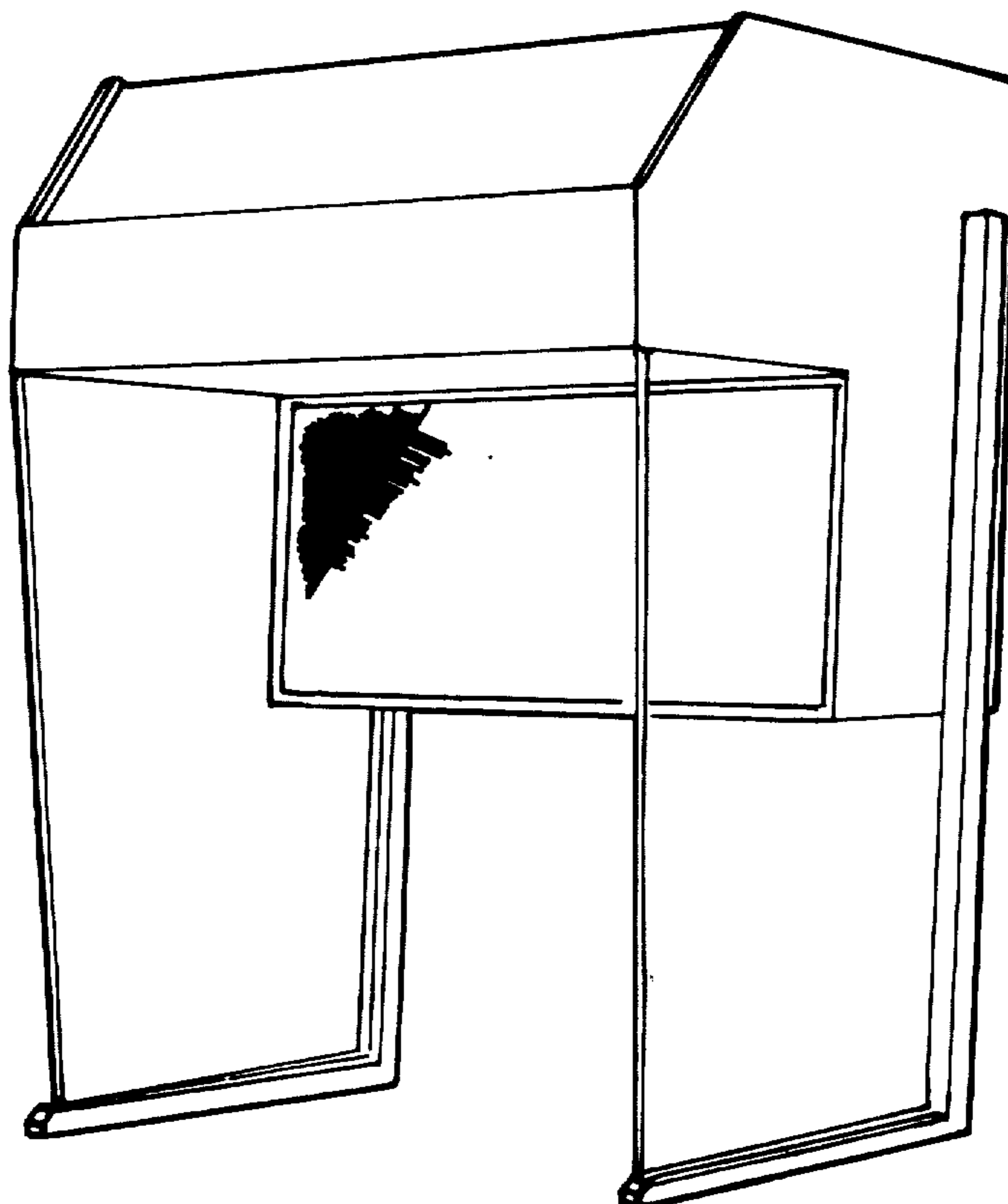
[57]

CLAIM

The ornamental design for a cabinet, as shown and described

DESCRIPTION

FIG. 1 is a front perspective view of a cabinet showing my design; and  
 FIG. 2 is a rear perspective view thereof;  
 FIG. 3 is a front perspective view of a modified form of the cabinet shown in FIG. 1; and  
 FIG. 4 is a rear perspective view thereof.  
 The sides of the cabinet now shown in FIGS. 1 and 3 are mirror images of the respective sides shown.



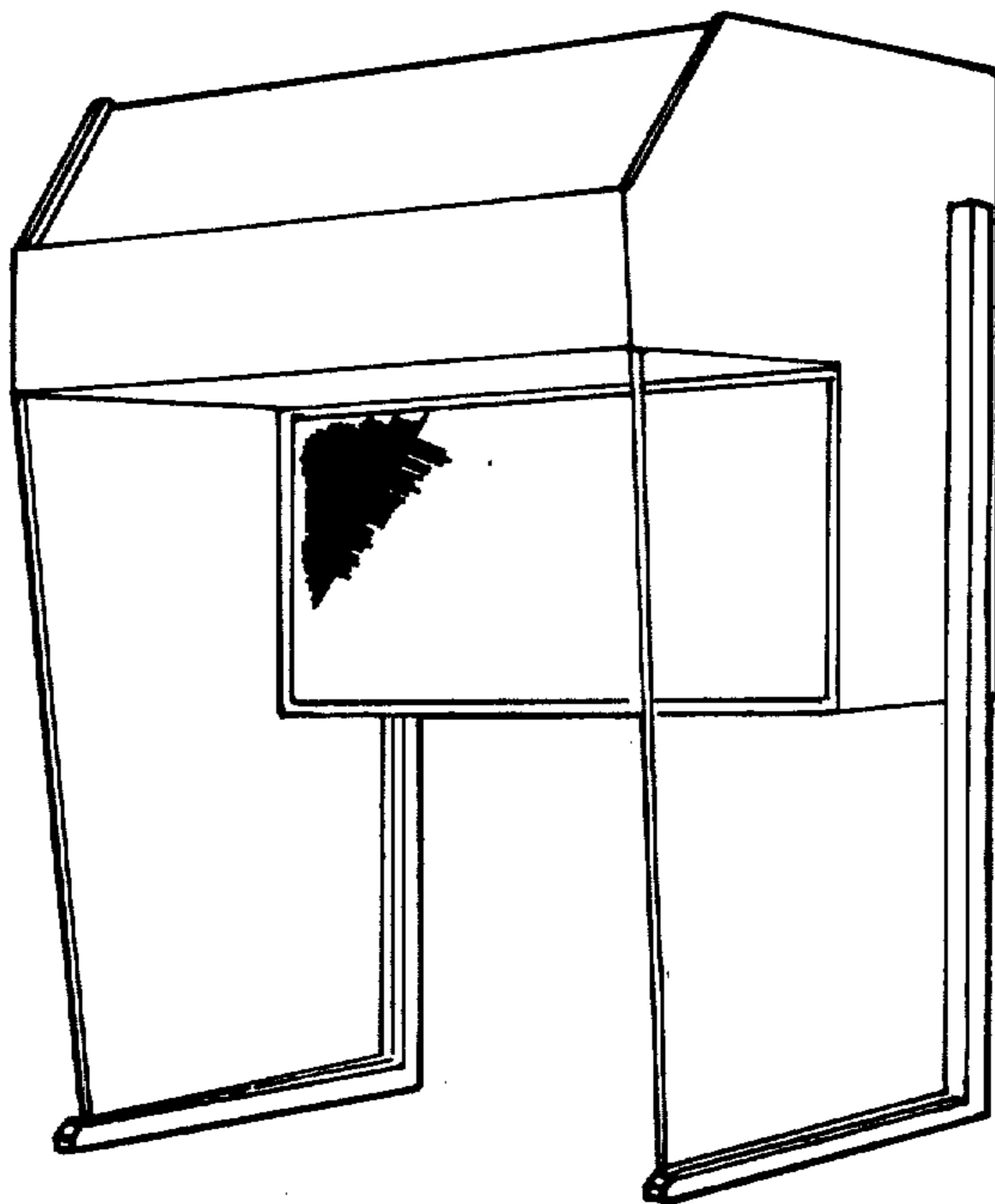


Fig - 1

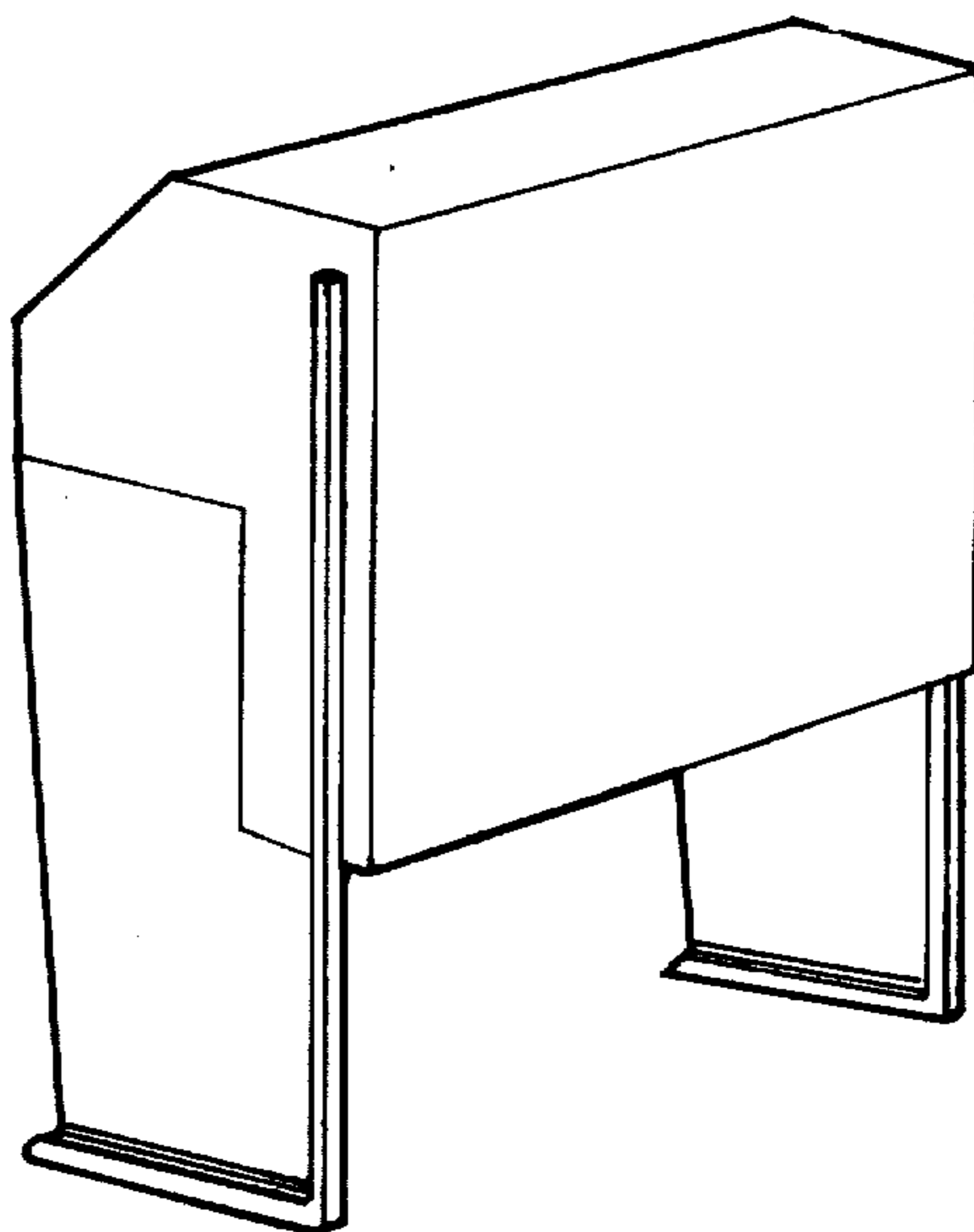


Fig - 2

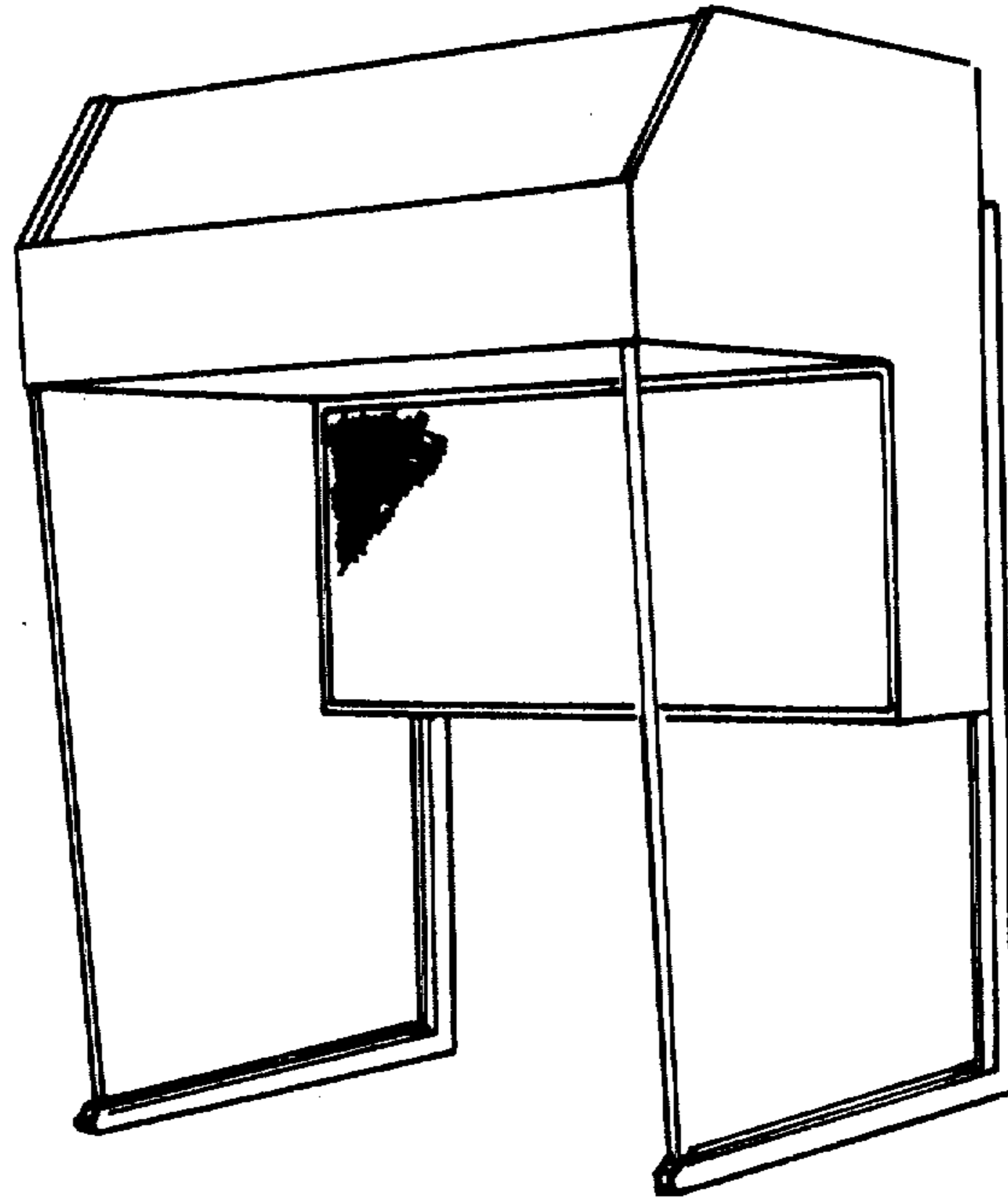


Fig - 3

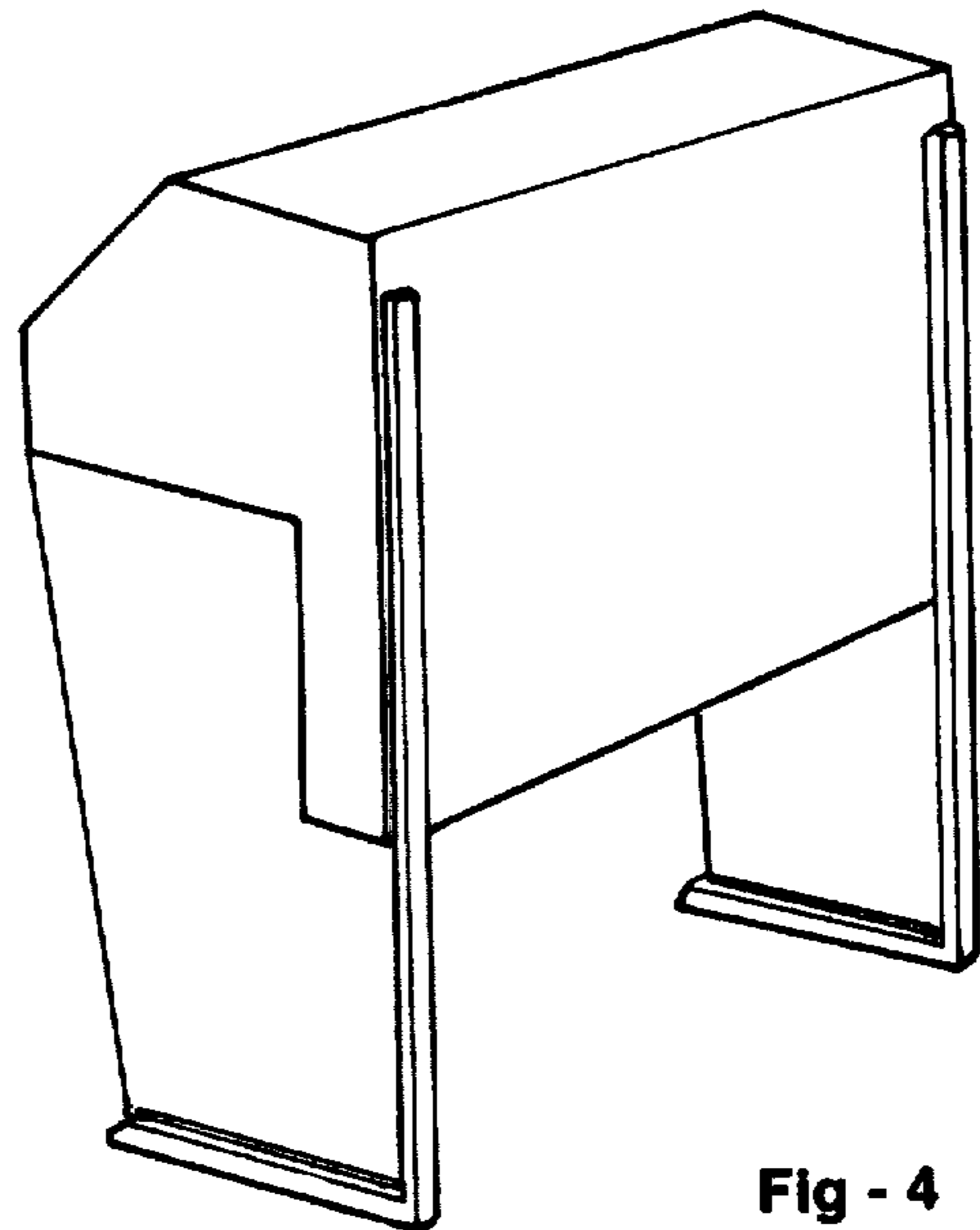


Fig - 4