

[54] ARMCHAIR

[76] Inventor: Jerry W. Staton, Rte. 2, Box 195, Holly Pond, Ala. 35083

[*] Notice: The portion of the term of this patent subsequent to Nov. 2, 1996, has been disclaimed.

[**] Term: 14 Years

[21] Appl. No.: 106,551

[22] Filed: Dec. 26, 1979

[51] Int. Cl. D6-01

[52] U.S. Cl. D6/69; D6/73

[58] Field of Search D6/31, 47-78

[56] References Cited

U.S. PATENT DOCUMENTS

- D. 112,270 11/1938 Baum D6/70
- D. 150,886 9/1948 Ross D6/65 X
- D. 159,509 8/1950 Moss D6/58
- D. 196,106 8/1963 Buscher D6/65

- D. 237,765 11/1975 Jester et al. D6/78 X
- D. 238,633 2/1976 Hunter D6/78 X
- D. 249,307 9/1978 Hall D6/76 X
- D. 249,858 10/1978 Gageby D6/177

OTHER PUBLICATIONS

Interiors, 2/73, p. 26, Bench left center by Olden Look Oak Corp.

Primary Examiner—Bruce W. Dunkins
Attorney, Agent, or Firm—C. A. Phillips

[57] CLAIM

The ornamental design for an armchair, substantially as shown and described.

DESCRIPTION

FIG. 1 is a front perspective view of an armchair showing my design.

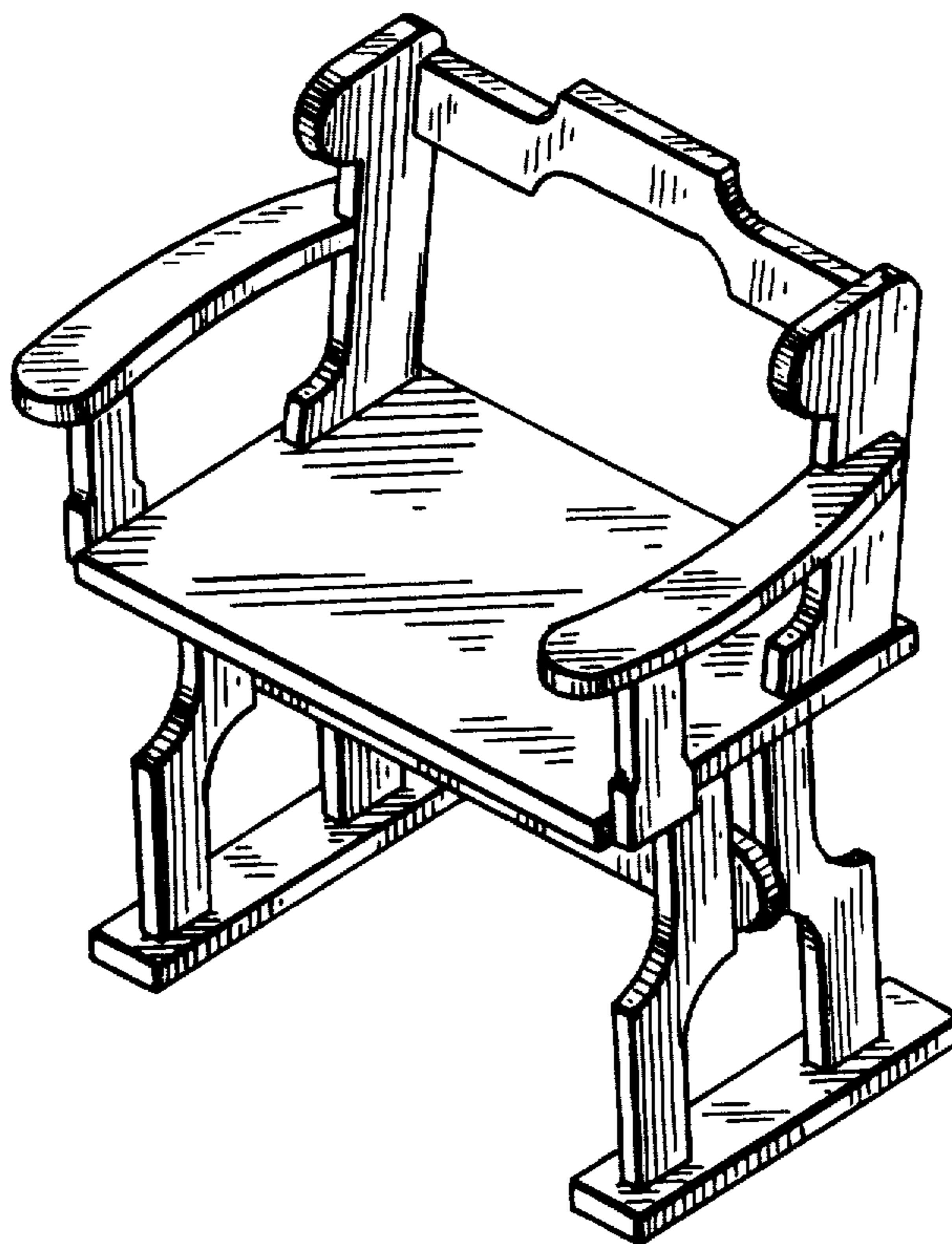
FIG. 2 is a side view of my design.

FIG. 3 is a bottom view of my design.

FIG. 4 is a top view of my design.

FIG. 5 is a front view of my design.

FIG. 6 is a rear view of my design.



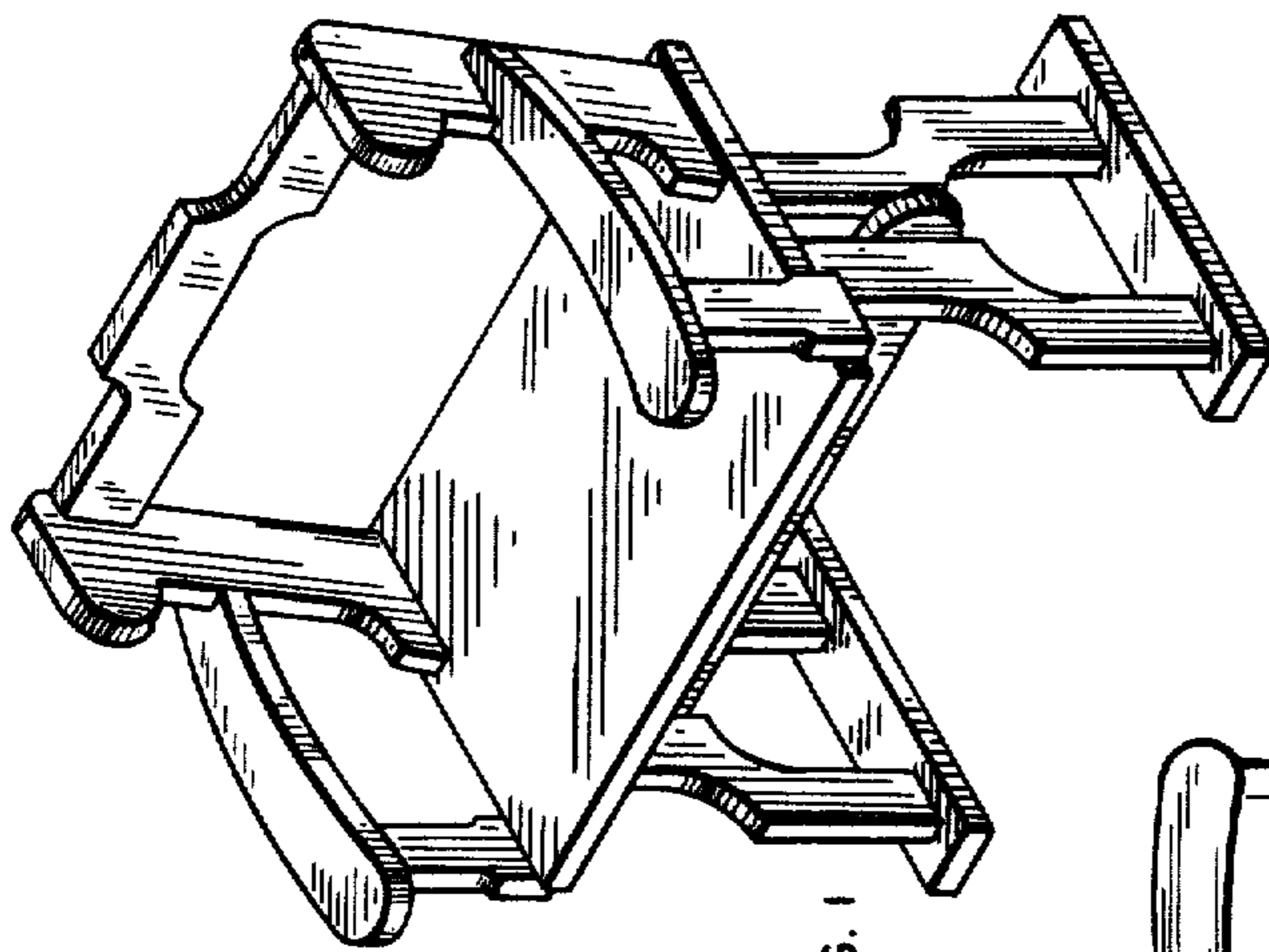


FIG. 1

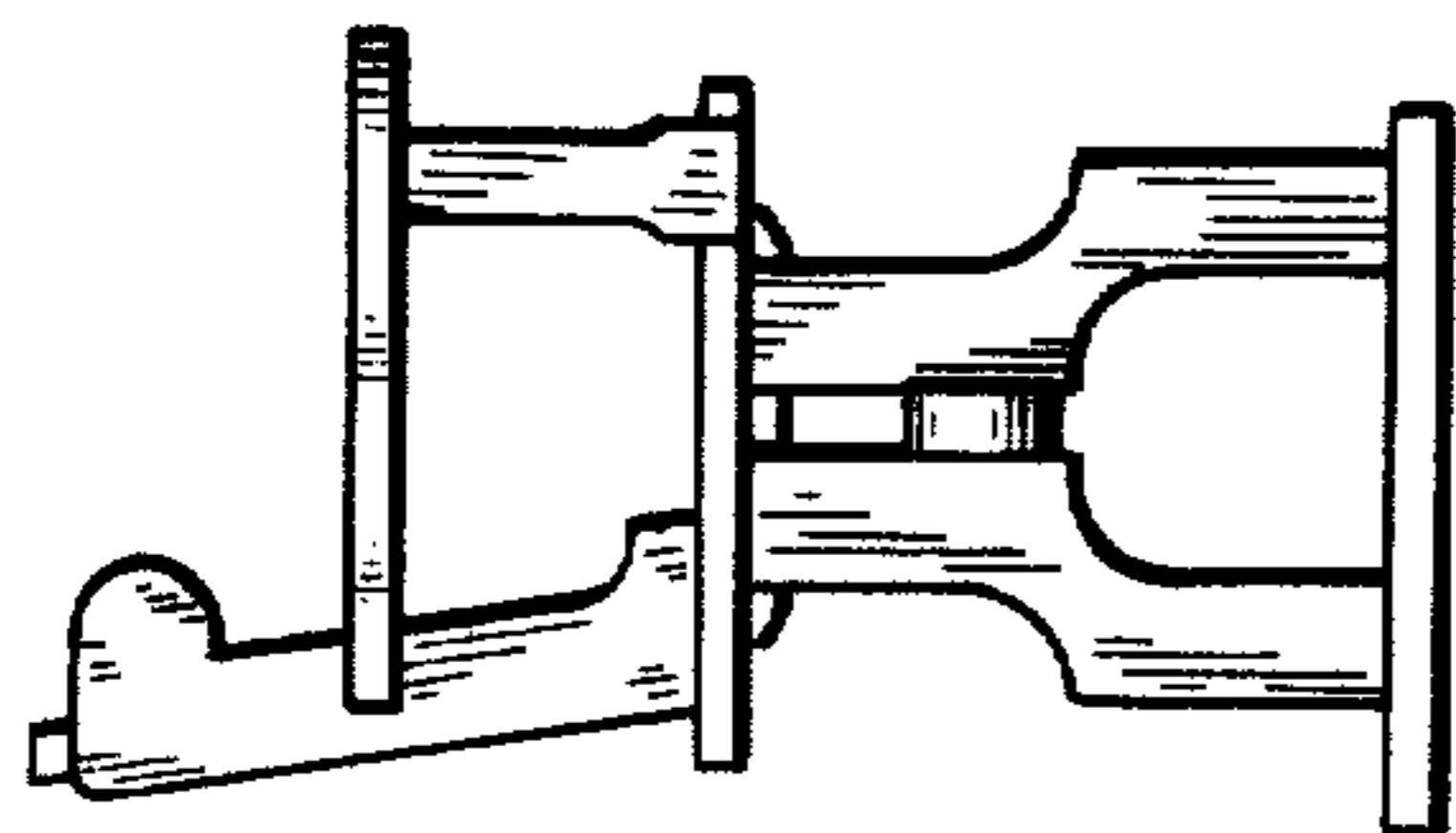


FIG. 2

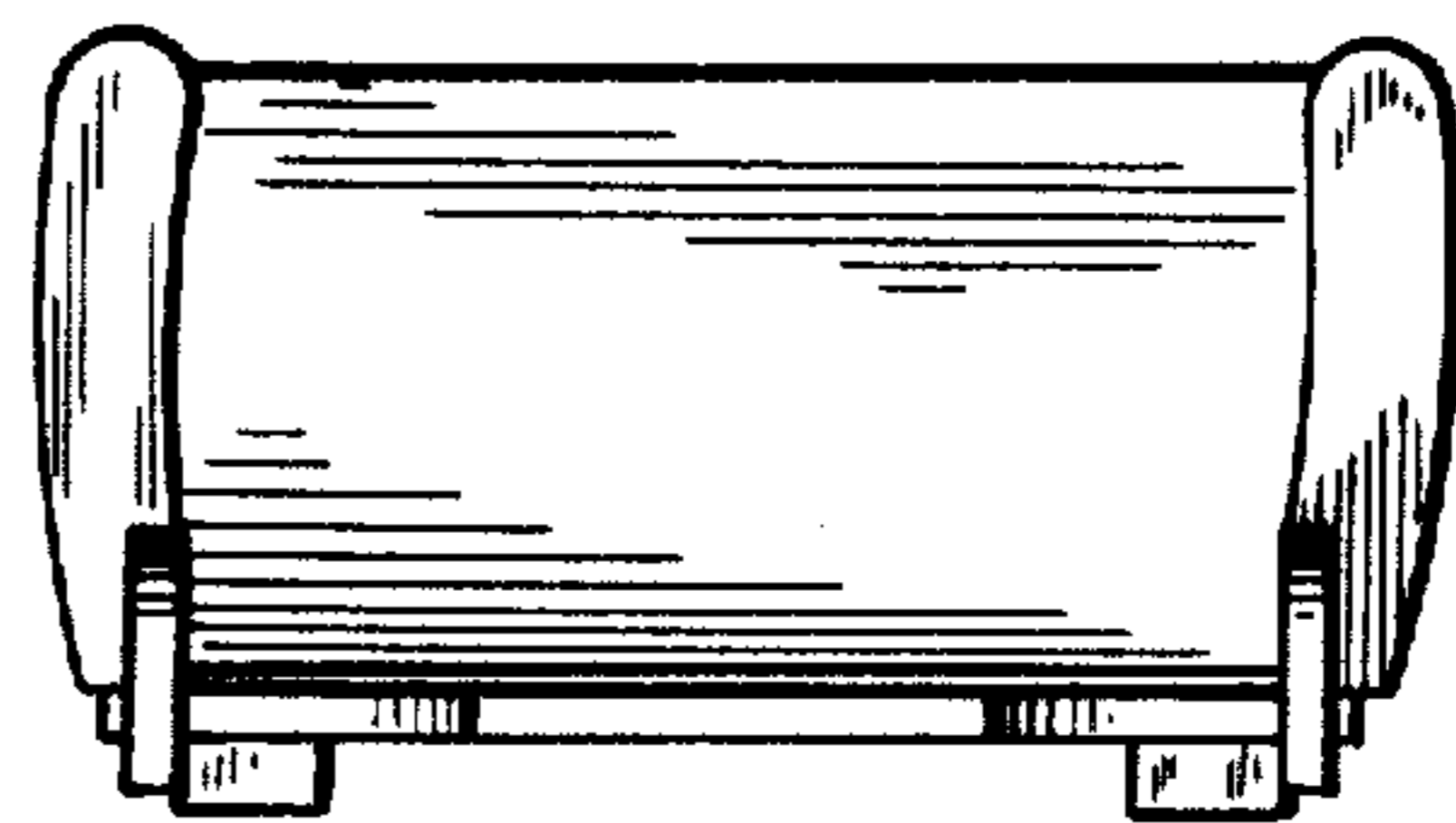


FIG. 4

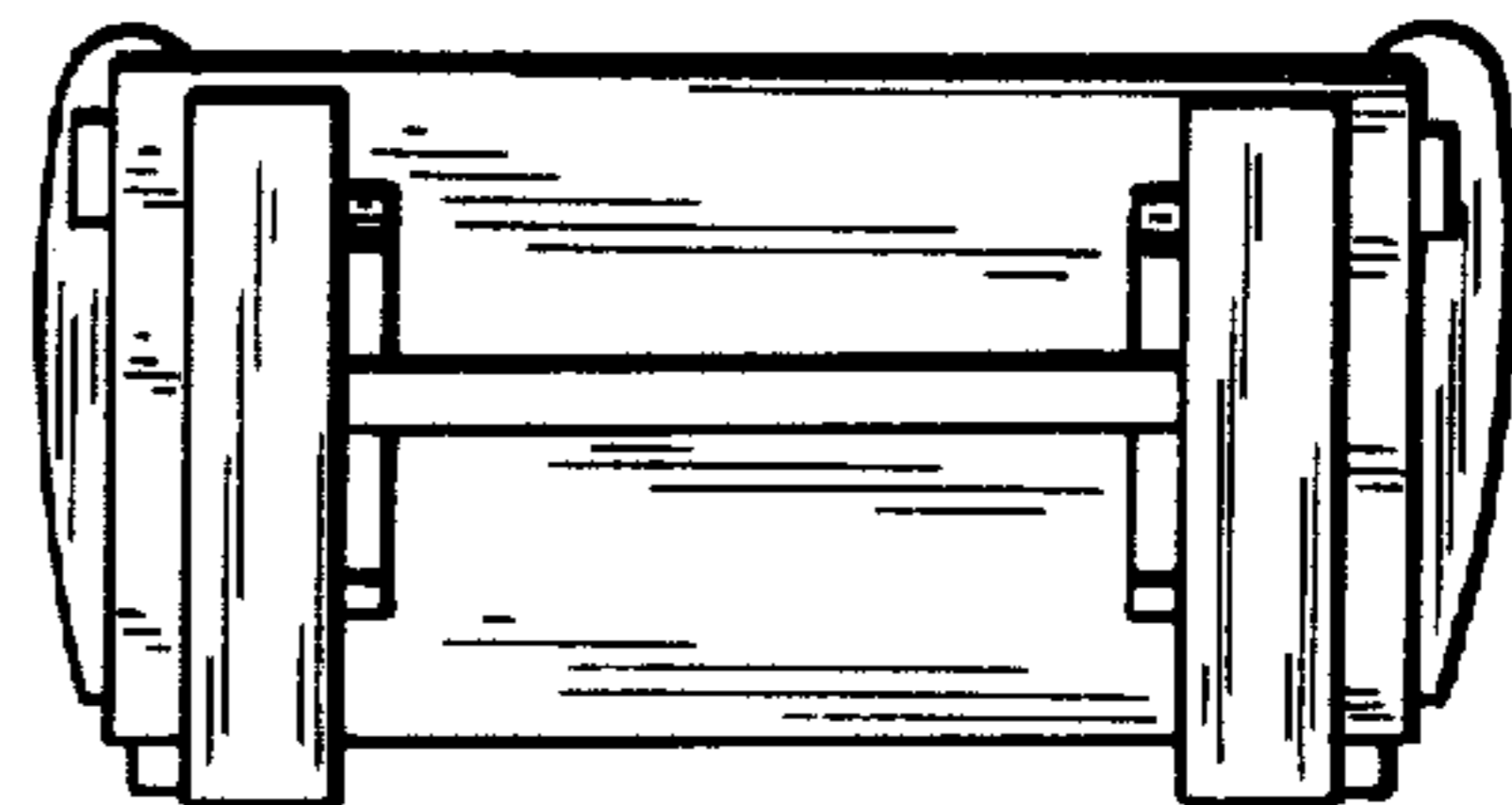


FIG. 3

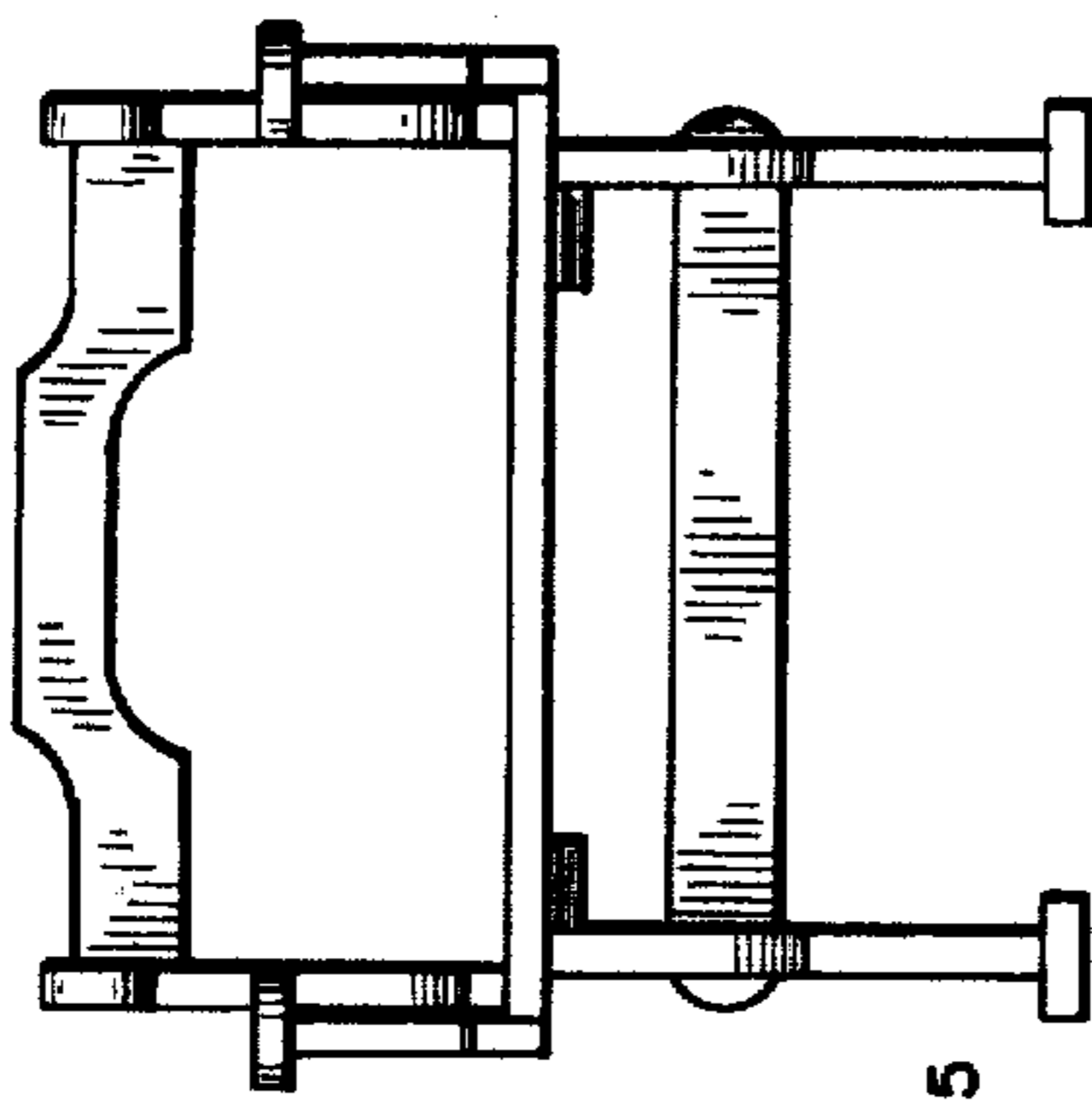


FIG. 5

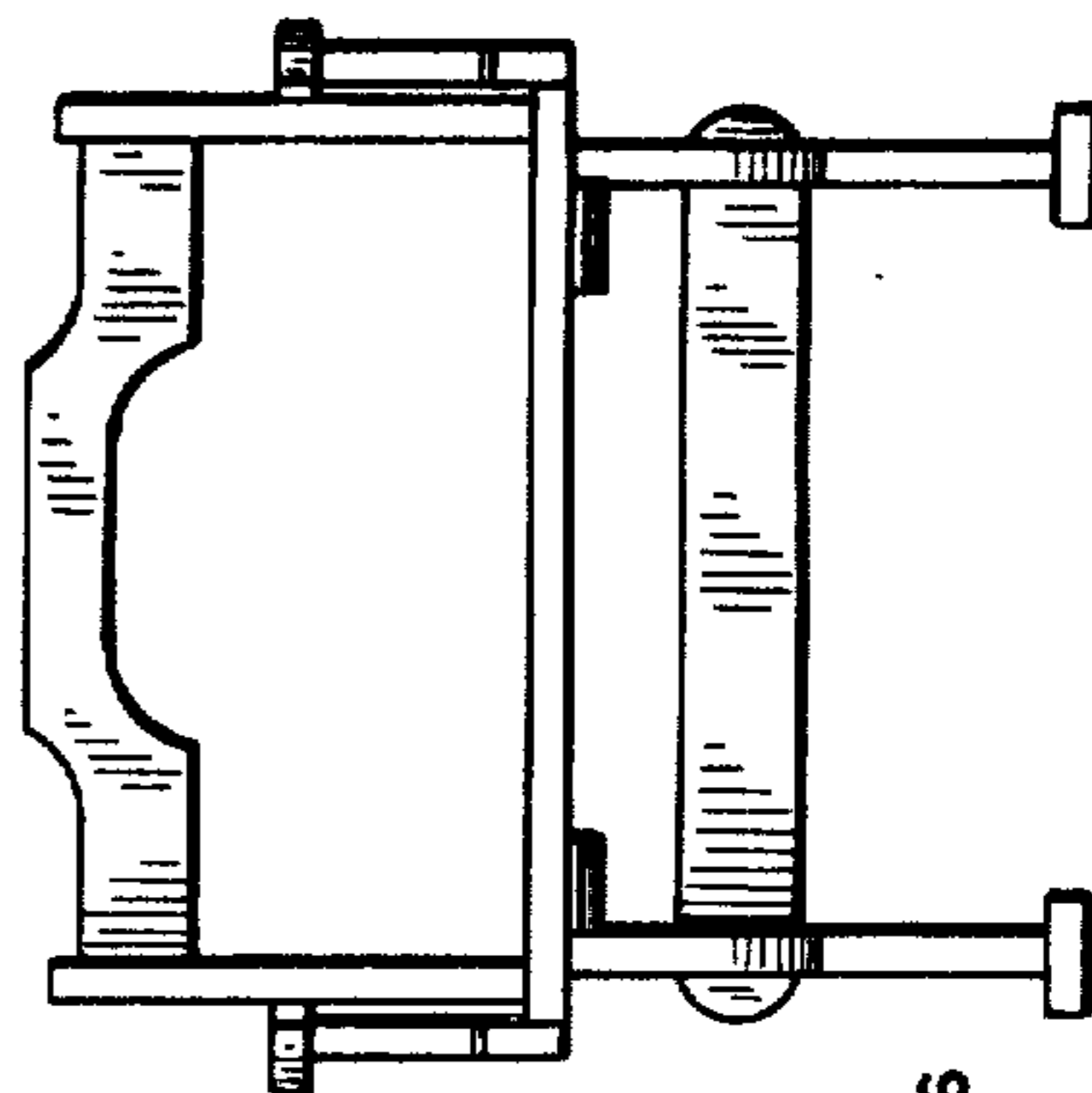


FIG. 6