

[54] ARTICLE SUPPORT STAND

4,073,462 2/1978 Whitaker ..... D6/28 X

[76] Inventor: William Watson, P.O. Box 1177,  
Boyes Hot Springs, Calif. 95416

[\*\*] Term: 14 Years

[21] Appl. No.: 216,260

[22] Filed: Dec. 15, 1980

[51] Int. Cl. .... D6-99

[52] U.S. Cl. .... D6/28; D6/145

[58] Field of Search ..... D6/20-28,  
D6/29; 248/302, 513, 520, 537; 211/64

[56] References Cited

U.S. PATENT DOCUMENTS

- D. 141,722 6/1945 Mankki ..... D6/28
- D. 183,511 9/1958 Chesney ..... D6/28 X
- D. 186,517 11/1959 Walsh et al. .... D6/28
- D. 260,432 8/1981 Kadar ..... D6/28 X

OTHER PUBLICATIONS

Aloe Scientific Catalog, ©1957, p. 245, Spotlight top left.

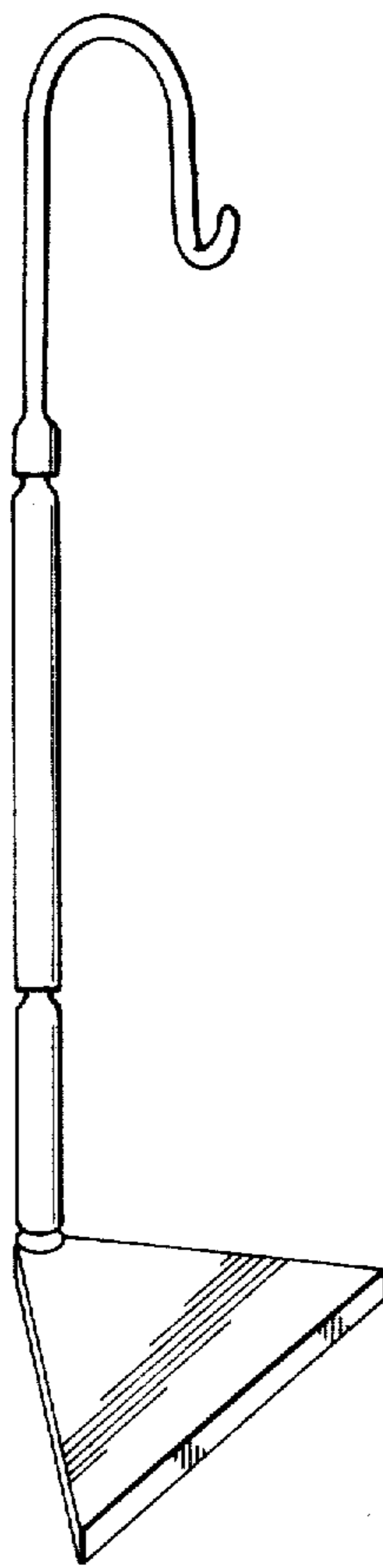
Primary Examiner—Bruce W. Dunkins  
Attorney, Agent, or Firm—Andrew A. Steiner

[57] CLAIM

The ornamental design for an article support stand, substantially as shown and described.

DESCRIPTION

FIG. 1 is a side perspective view of an article support stand showing my design;  
 FIG. 2 is a perspective view thereof showing the side not shown in FIG. 1;  
 FIG. 3 is a top plan view;  
 FIG. 4 is a bottom plan view; and  
 FIG. 5 is a side elevational view; and  
 FIG. 6 is a front elevational view thereof.



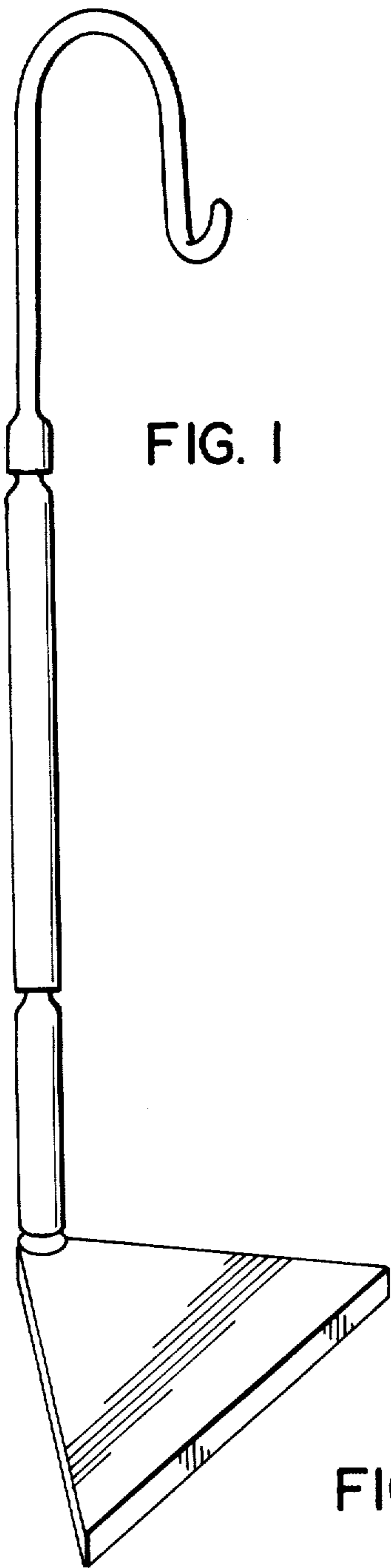


FIG. 1

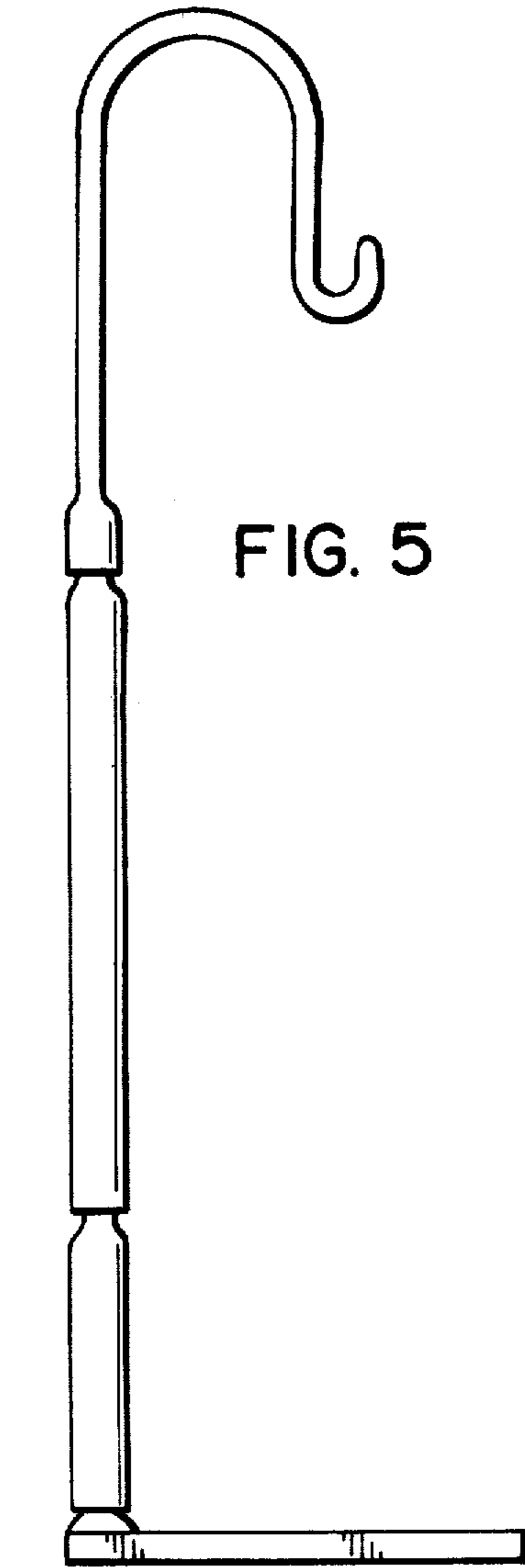


FIG. 5

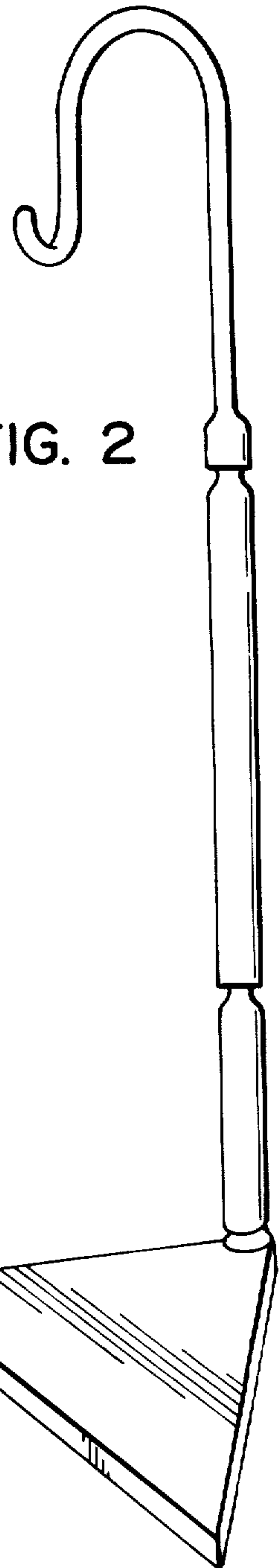


FIG. 2

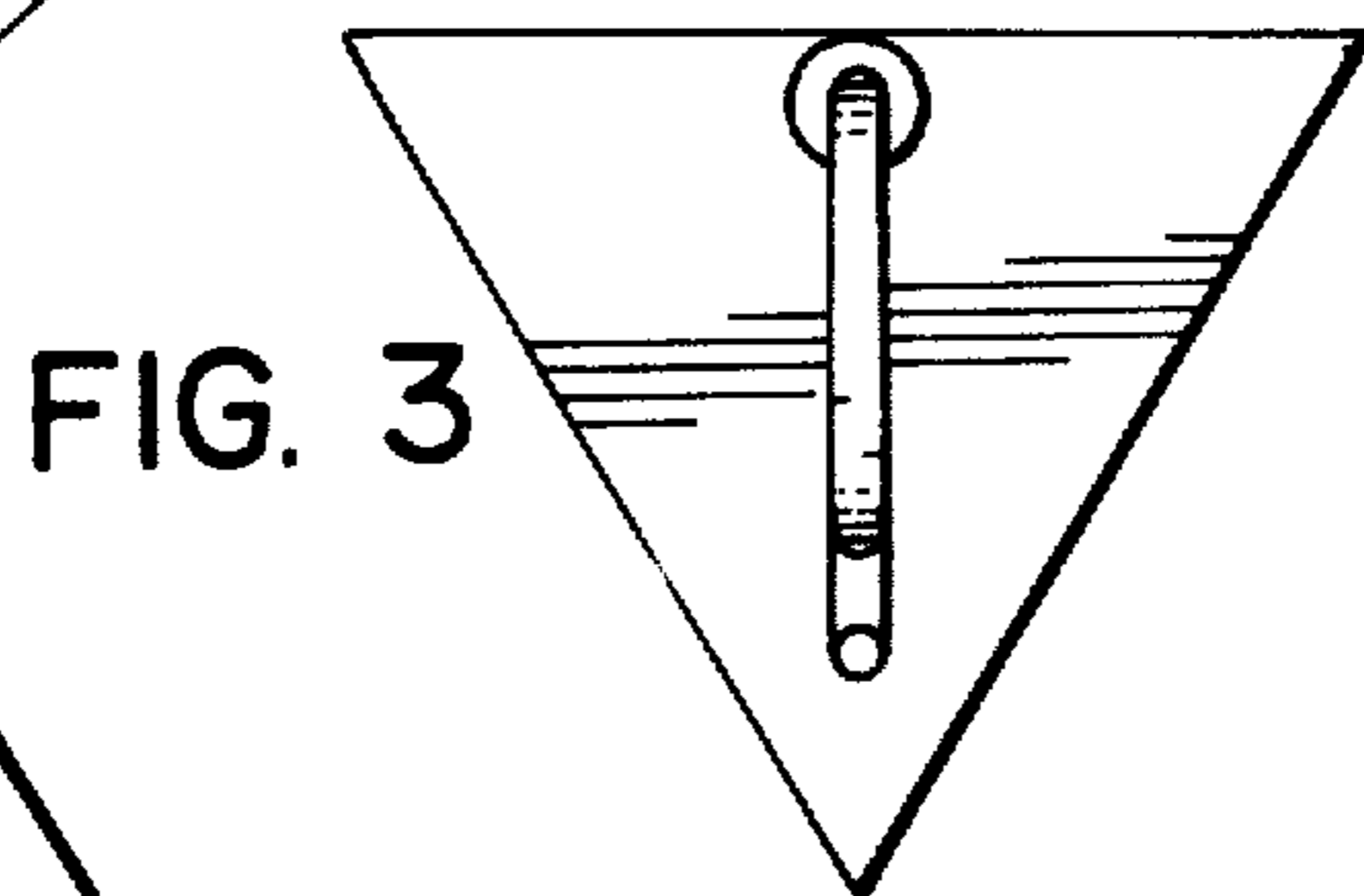


FIG. 3

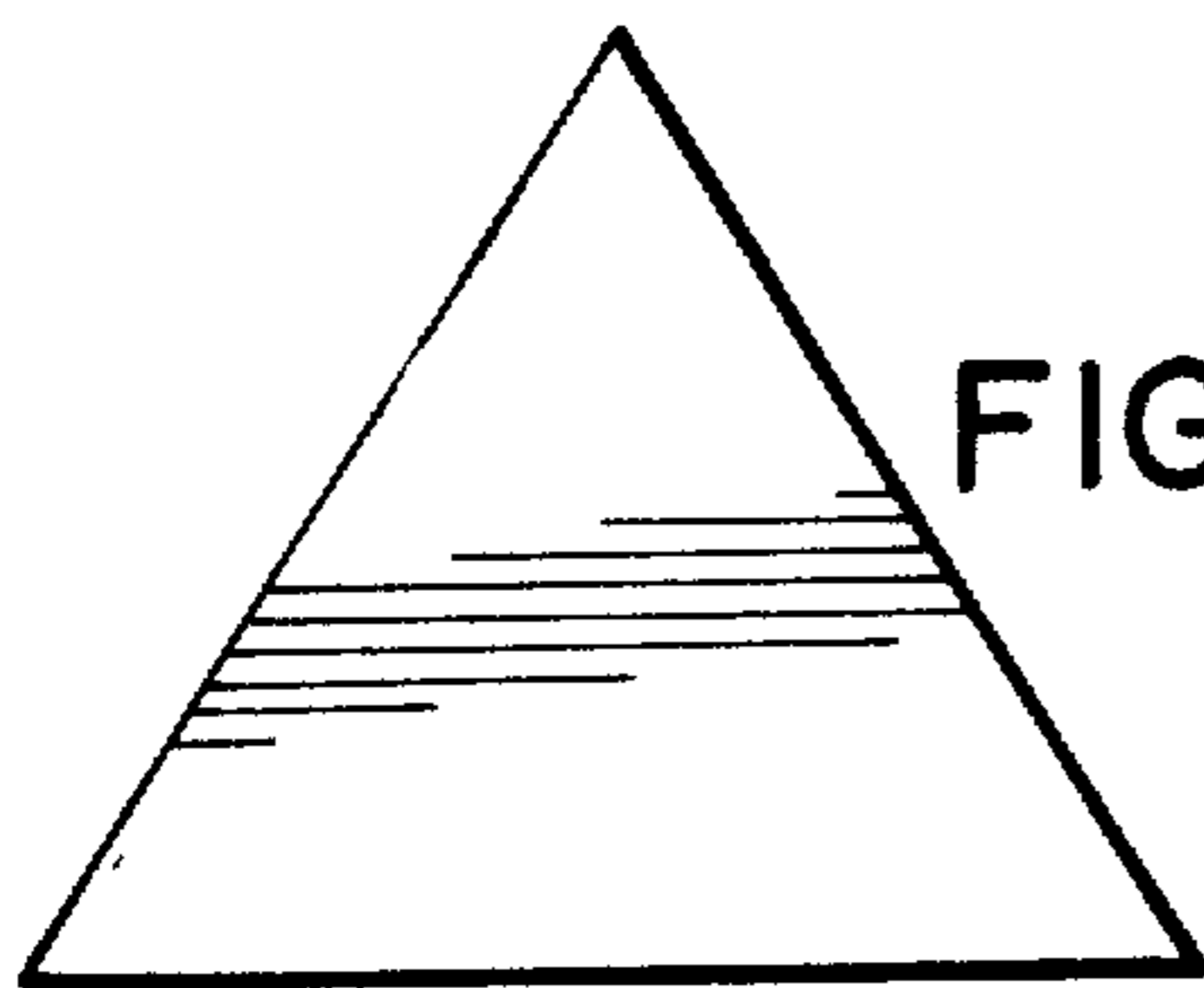


FIG. 4

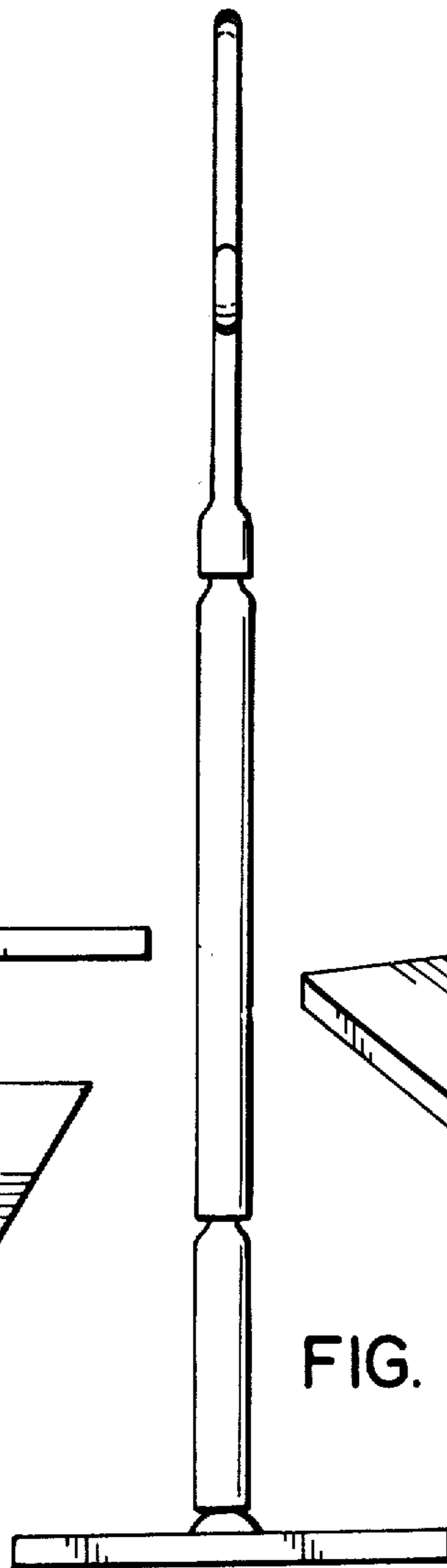


FIG. 6