

[54] COMBINED SKI CARRIER AND BINDING PROTECTOR

3,917,137 11/1975 Wilkins D3/36
4,126,254 11/1978 Sahakian 211/60 SK

[76] Inventor: Anthony Salas, 2 Wesleyan Rd.,
Commack, N.Y. 11725

Primary Examiner—George P. Word
Attorney, Agent, or Firm—Amster, Rothstein &
Engelberg

[**] Term: 14 Years

[57] CLAIM

[21] Appl. No.: 220,800

The ornamental design for a combined ski carrier and binding protector, as shown and described.

[22] Filed: Dec. 29, 1980

DESCRIPTION

[51] Int. Cl. D3-02

[52] U.S. Cl. D3/36

[58] Field of Search D3/30.1, 36-38,
D3/73; 206/315; 224/917; 294/147; 150/52 R;
211/60 SK

FIG. 1 is a perspective view of a combined ski carrier and binding protector showing my new design; FIG. 2 is a front elevational view thereof; FIG. 3 is a top plan view thereof; FIG. 4 is a rear elevational view thereof; FIG. 5 is a bottom plan view thereof; FIG. 6 is an end elevational view as seen from the right side of FIG. 2; and, FIG. 7 is an end elevational view as seen from the left of FIG. 2.

[56] References Cited

U.S. PATENT DOCUMENTS

D. 222,848 1/1972 Ausdall D3/36
3,889,681 6/1975 Fihn 294/147

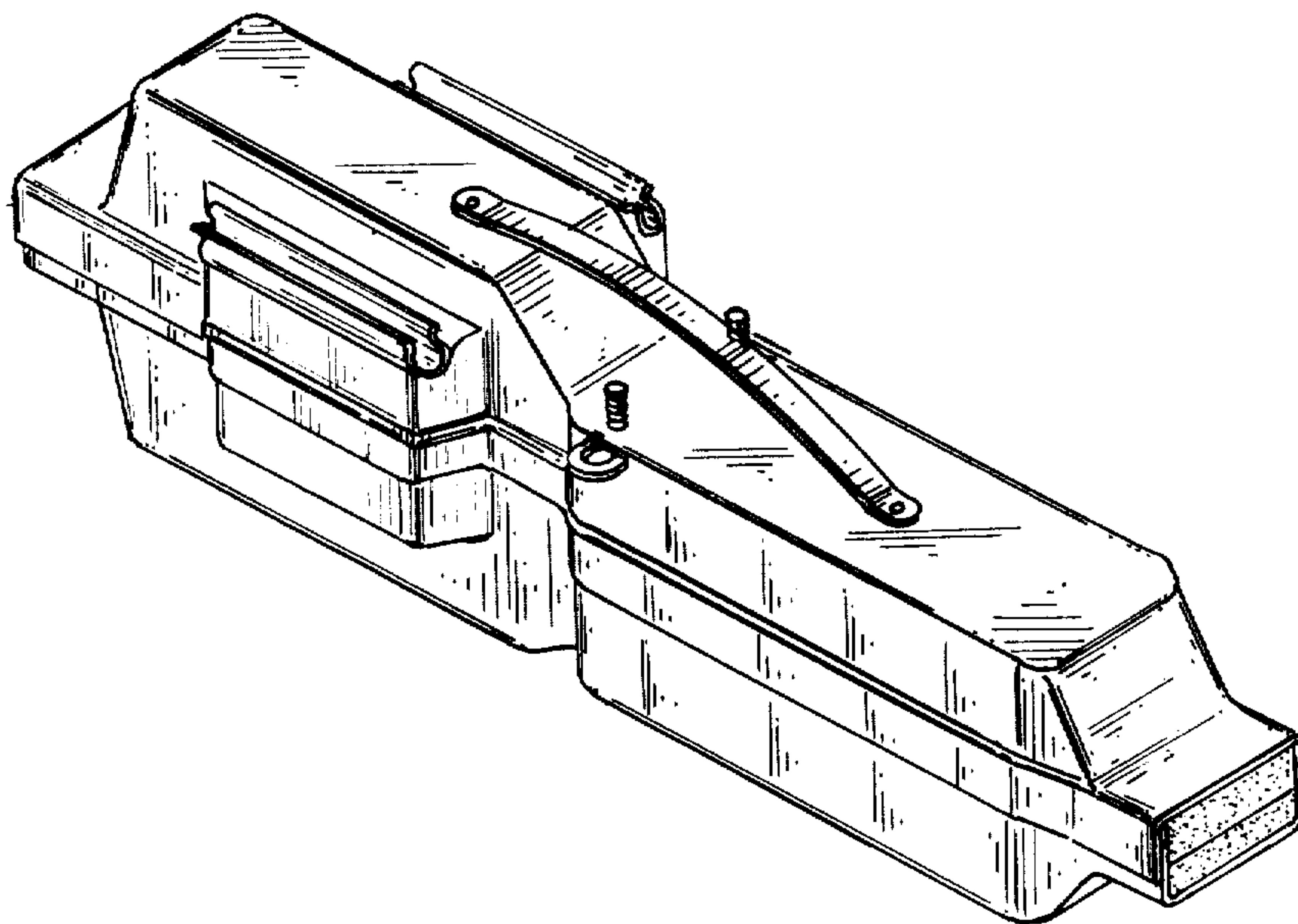


FIG. 1

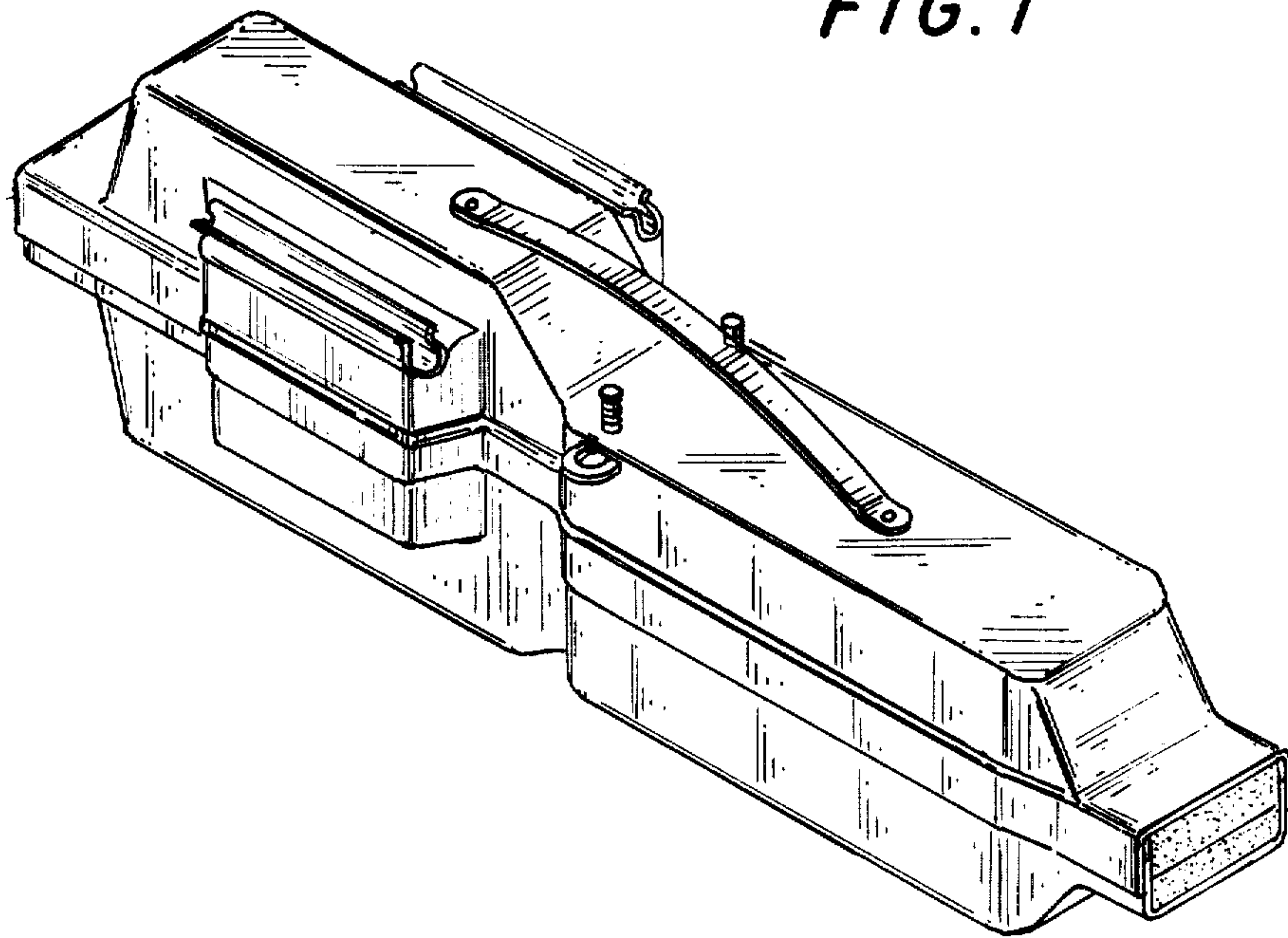


FIG. 2

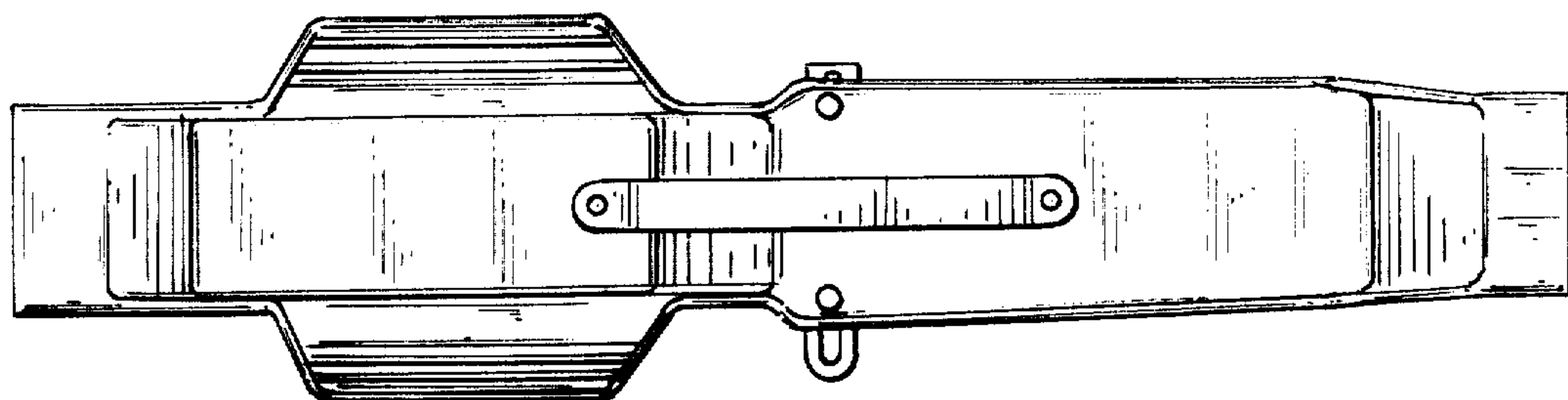
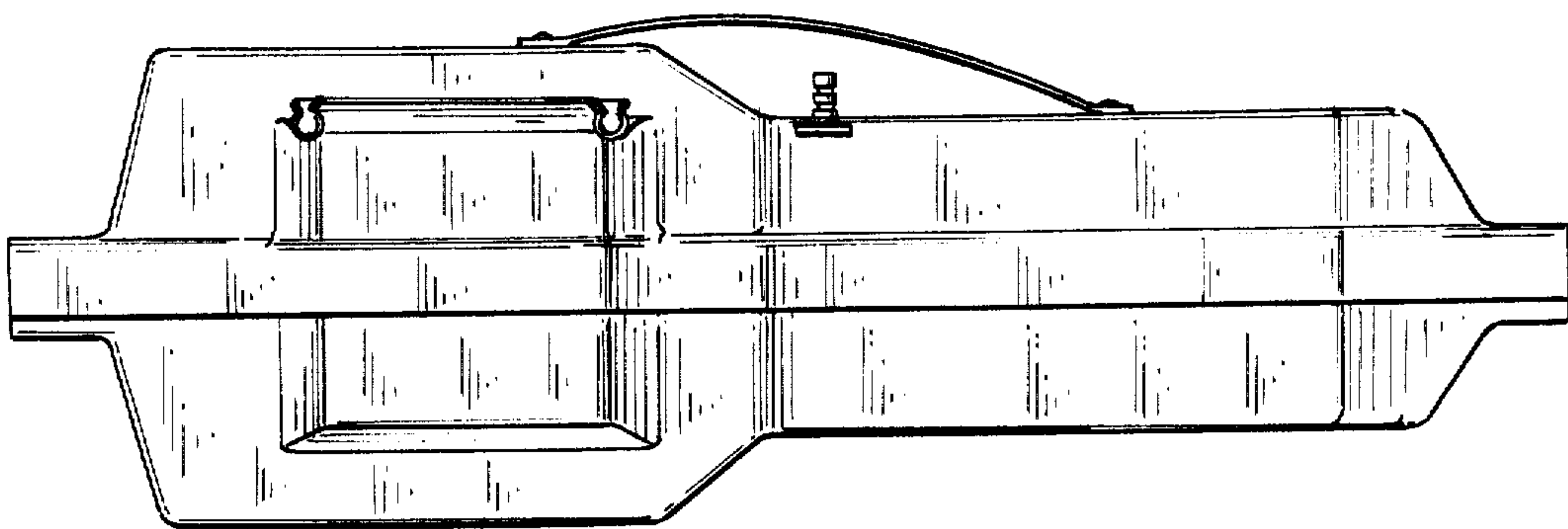


FIG. 3

FIG. 4

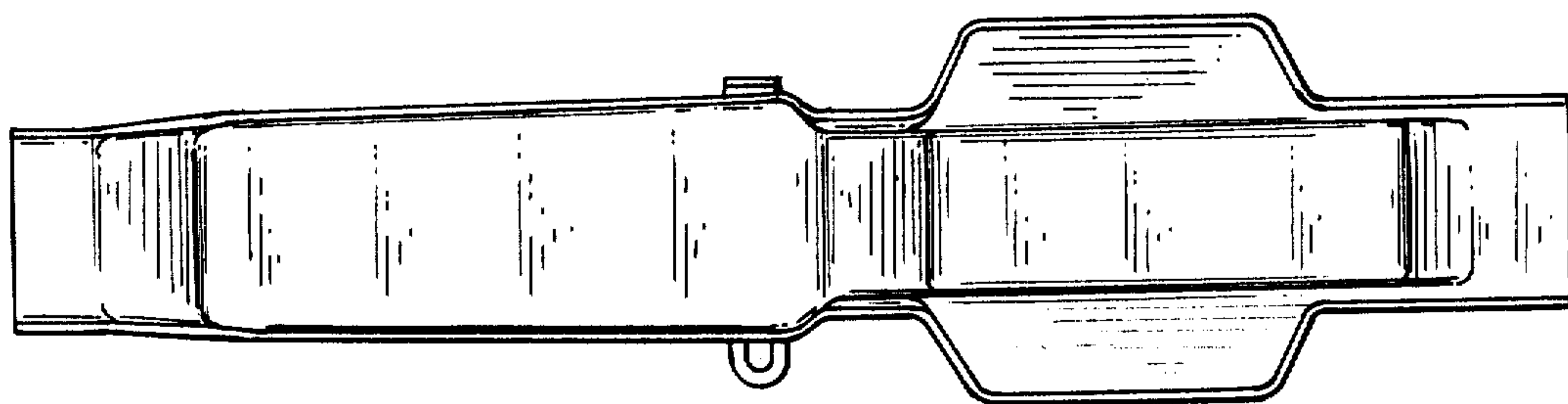
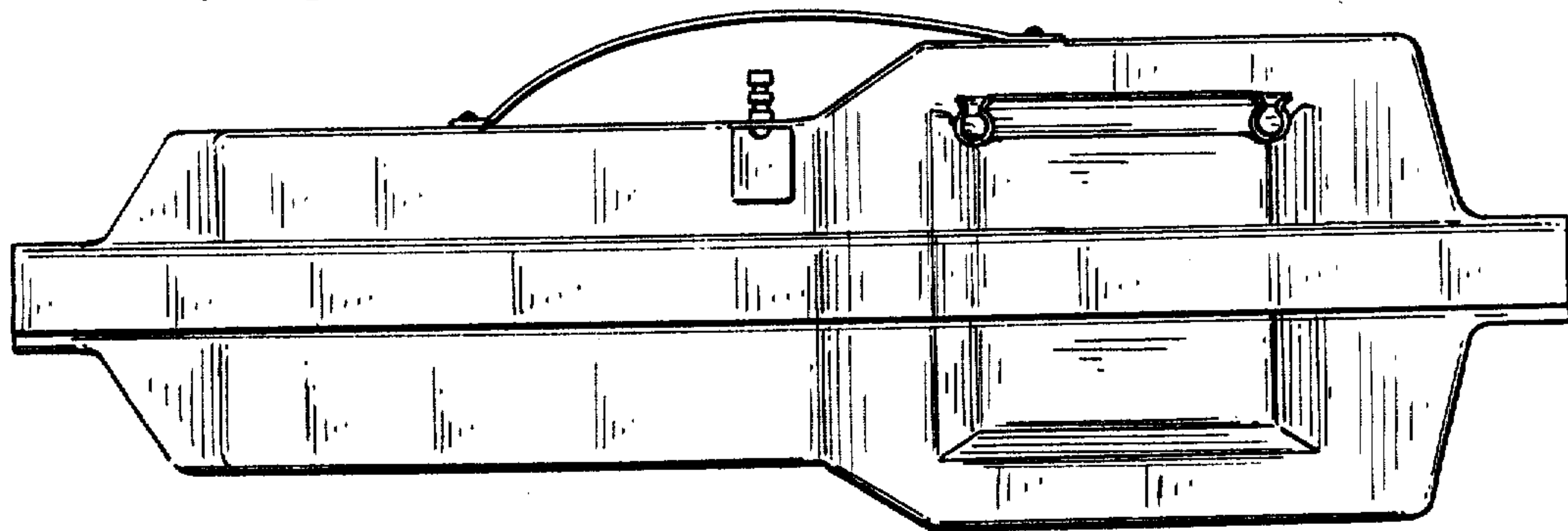


FIG. 5

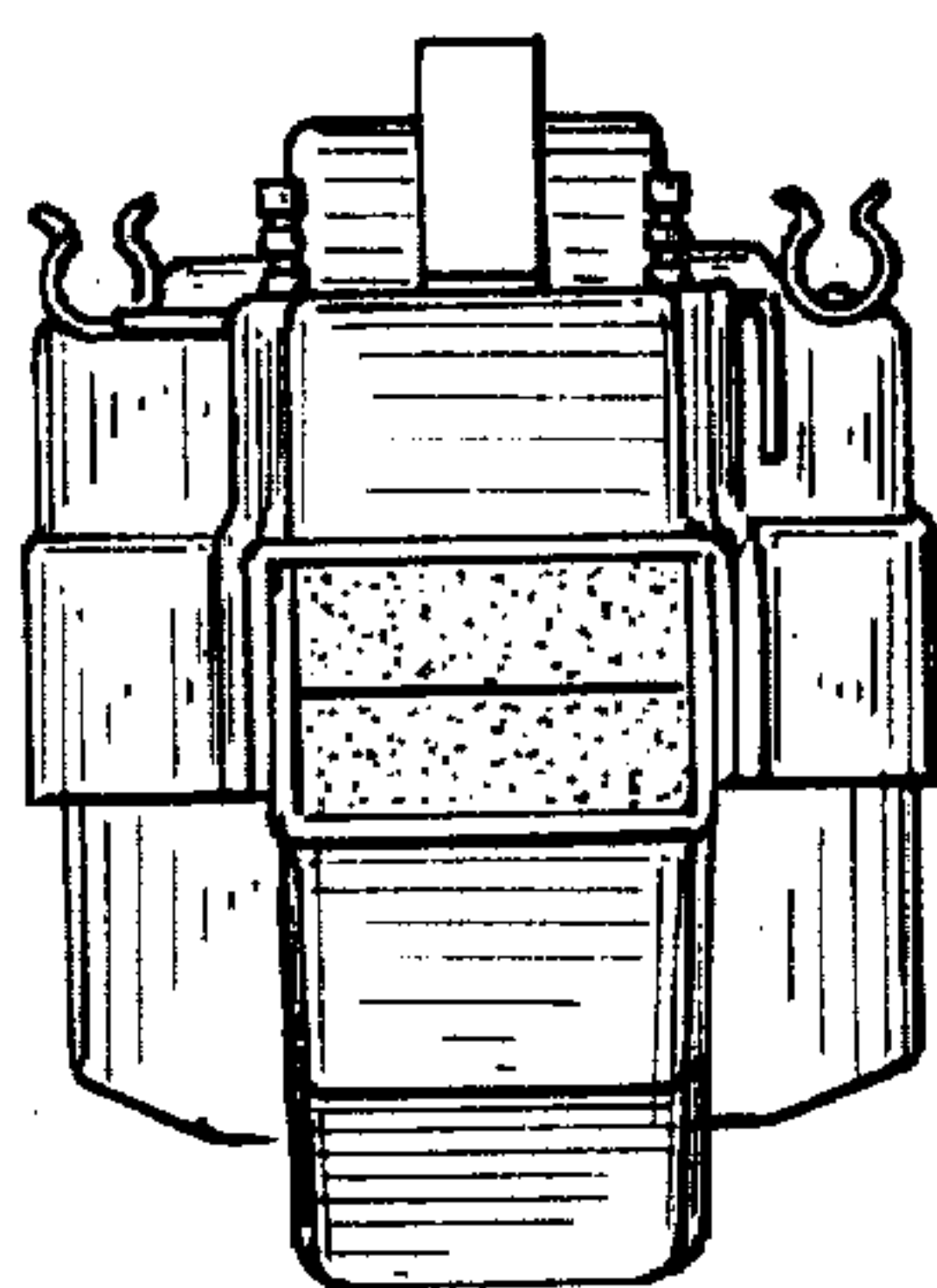


FIG. 6

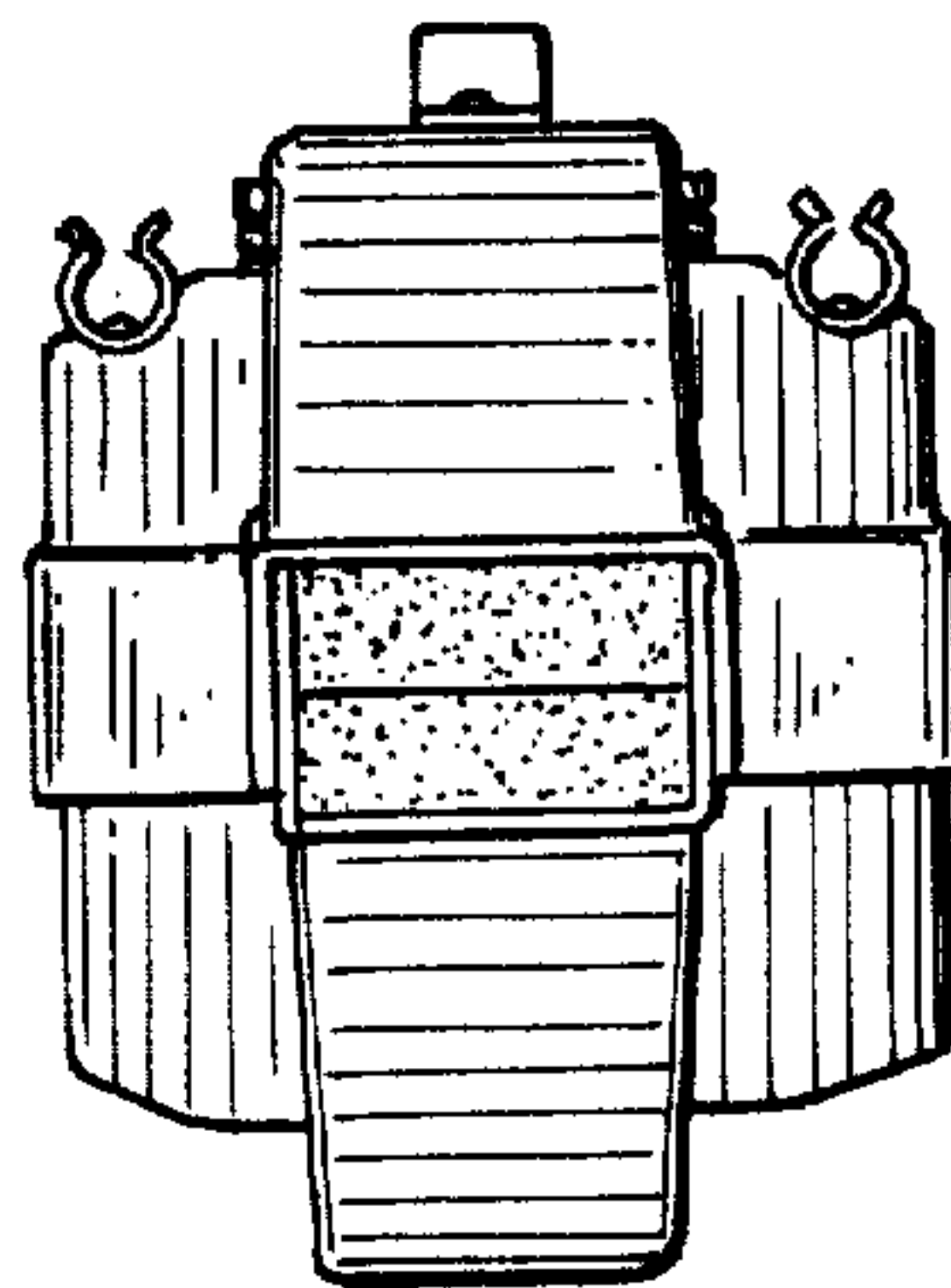


FIG. 7