

[54] EAR MUFF ATTACHMENT FOR A SAFETY HELMET

[76] Inventor: Bo G. Lönnstedt, Kvarnbergsvagen 23, S-141 45 Huddinge, Sweden

[\*\*] Term: 14 Years

[21] Appl. No.: 206,464

[22] Filed: Nov. 13, 1980

[30] Foreign Application Priority Data

May 14, 1980 [SE] Sweden ..... 80-0976

[51] Int. Cl. .... D02-03

[52] U.S. Cl. .... D2/233; D2/259

[58] Field of Search ..... D2/230, 232, 233, 259, D2/260; 2/10, 179, 209, 424

[56] References Cited

U.S. PATENT DOCUMENTS

D. 248,191	6/1978	Csiki et al. ....	D2/232
D. 255,058	5/1980	Lönnstedt .....	D2/259
3,461,463	8/1969	Beguín .....	2/209

Primary Examiner—Joel Stearman  
Assistant Examiner—Carmen H. Vales  
Attorney, Agent, or Firm—Young & Thompson

[57] CLAIM

The ornamental design for an ear muff attachment for a safety helmet, as shown.

DESCRIPTION

FIG. 1 is a bottom perspective view of an ear muff attachment for a safety helmet showing my new design; FIG. 2 is a front elevational view thereof; and FIG. 3 is a rear elevational view thereof.

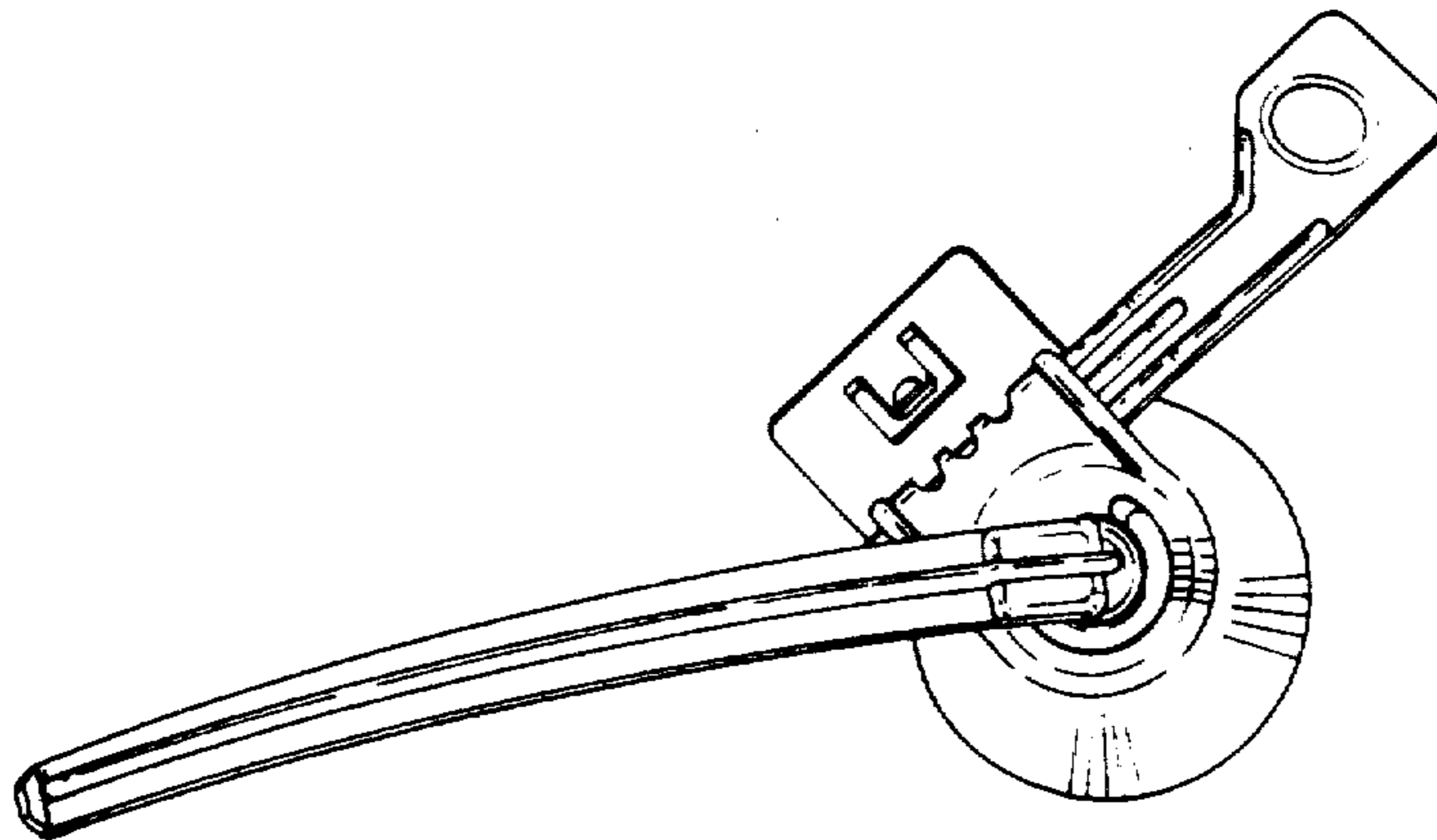




FIG. 1

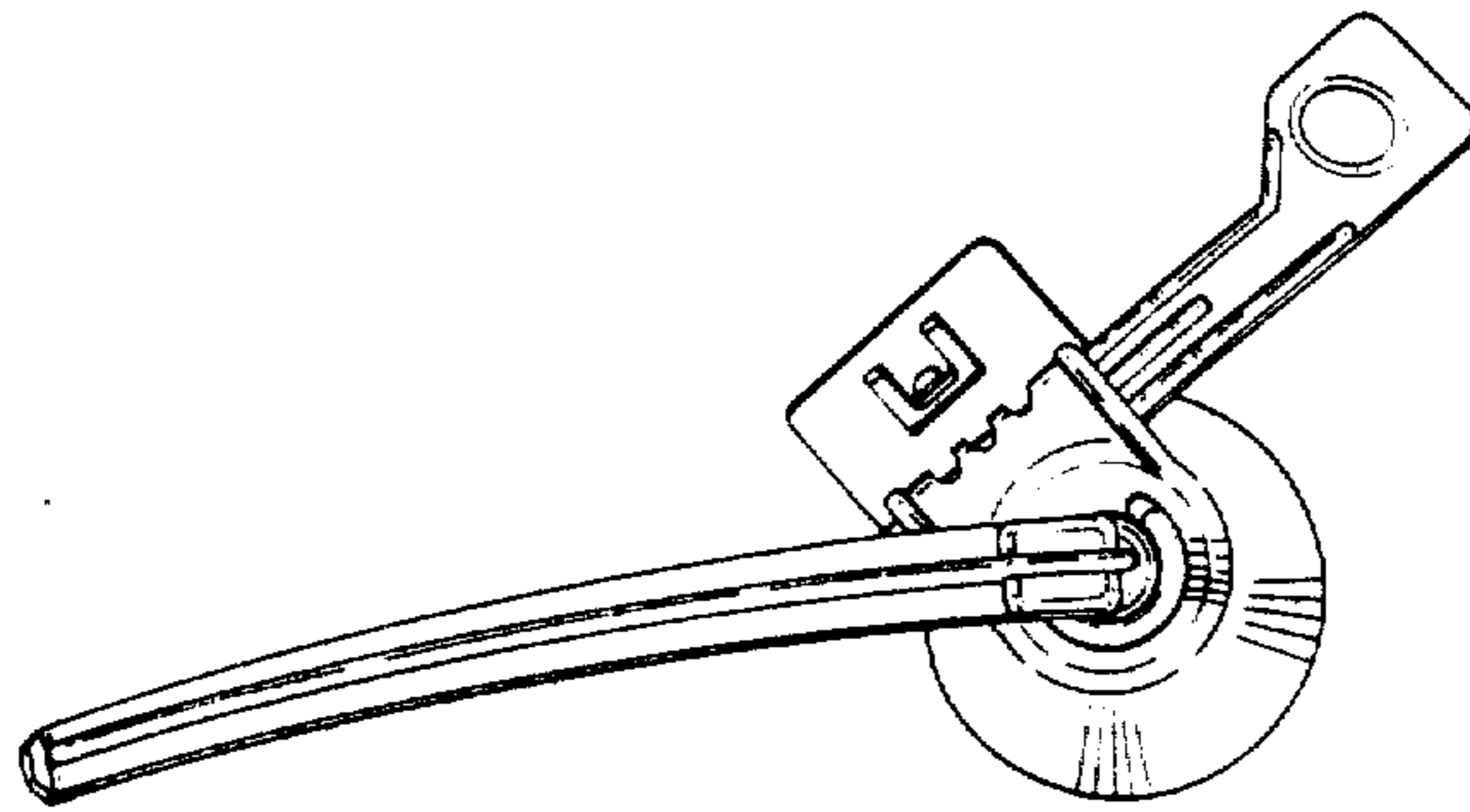


FIG. 2

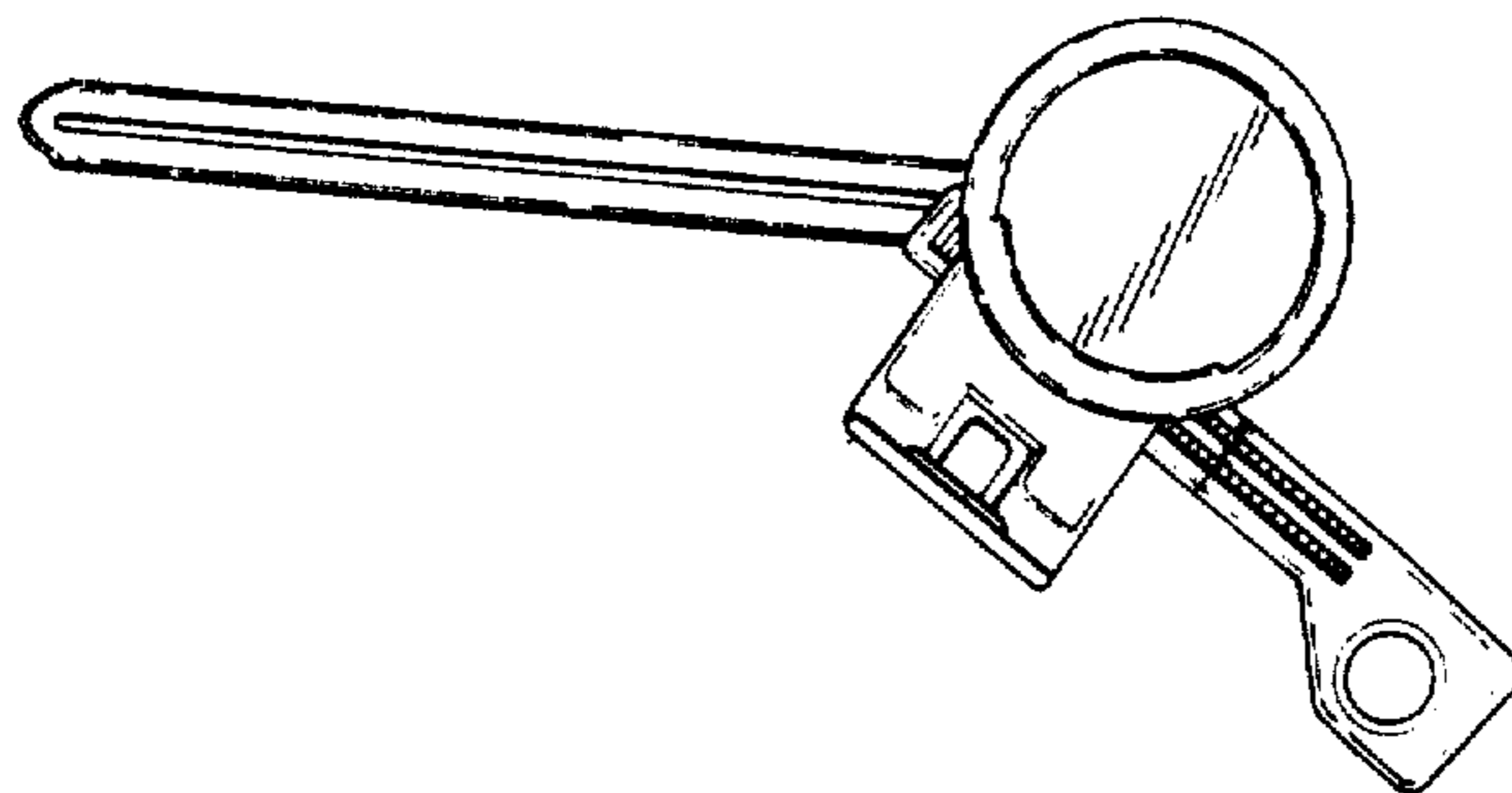


FIG. 3