

- [54] CHEST DRAINAGE BOTTLE
- [75] Inventor: Gary M. Pageau, Arapahoe County, Colo.
- [73] Assignee: C. R. Bard, Inc., Murray Hill, N.J.
- [**] Term: 14 Years
- [21] Appl. No.: 190,937
- [22] Filed: Sep. 26, 1980
- [51] Int. Cl. D24-02
- [52] U.S. Cl. D24/59; D24/56; 128/276
- [58] Field of Search D24/59, 56, 51; 128/276, 275, 278

- D. 245,372 8/1977 Kurtz et al. D24/59
- D. 255,937 7/1980 Kurtz et al. D24/59
- 4,018,224 4/1977 Kurtz et al. 128/276
- 4,105,031 8/1978 Kurtz et al. 128/276

Primary Examiner—Bernard Ansher
 Attorney, Agent, or Firm—Edwin L. Spangler, Jr.

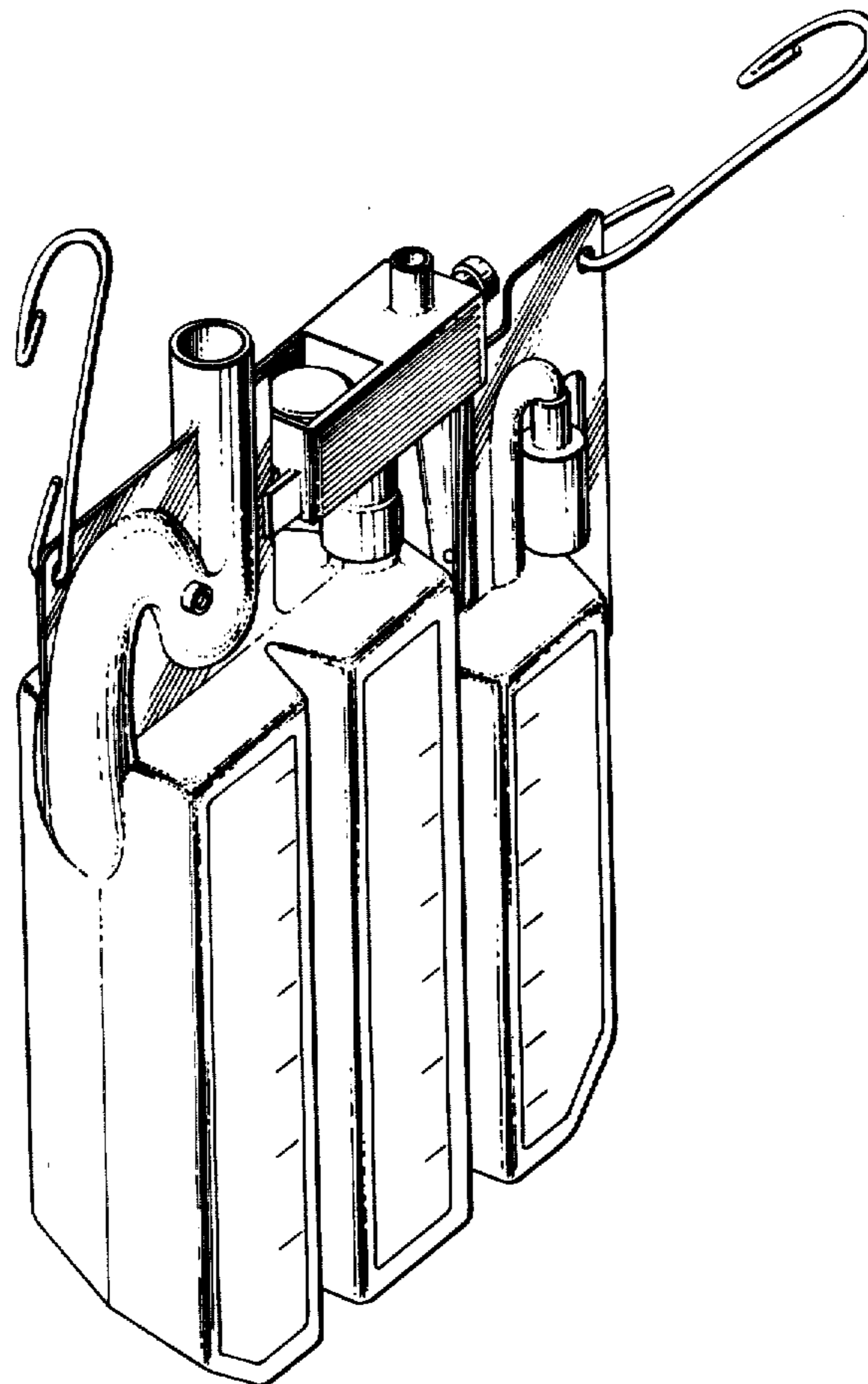
[57] CLAIM

The ornamental design for a chest drainage bottle, as shown.

DESCRIPTION

FIG. 1 is a perspective view looking down and to the right at the front of the chest drainage bottle showing my new design;
 FIG. 2 is a perspective view looking up and to the right at the rear thereof;
 FIG. 3 is a front elevational view thereof;
 FIG. 4 is a right side elevational view thereof; and,
 FIG. 5 is a top plan view thereof.

- [56] References Cited
- U.S. PATENT DOCUMENTS
- D. 222,312 10/1971 Kurtz et al. D24/56



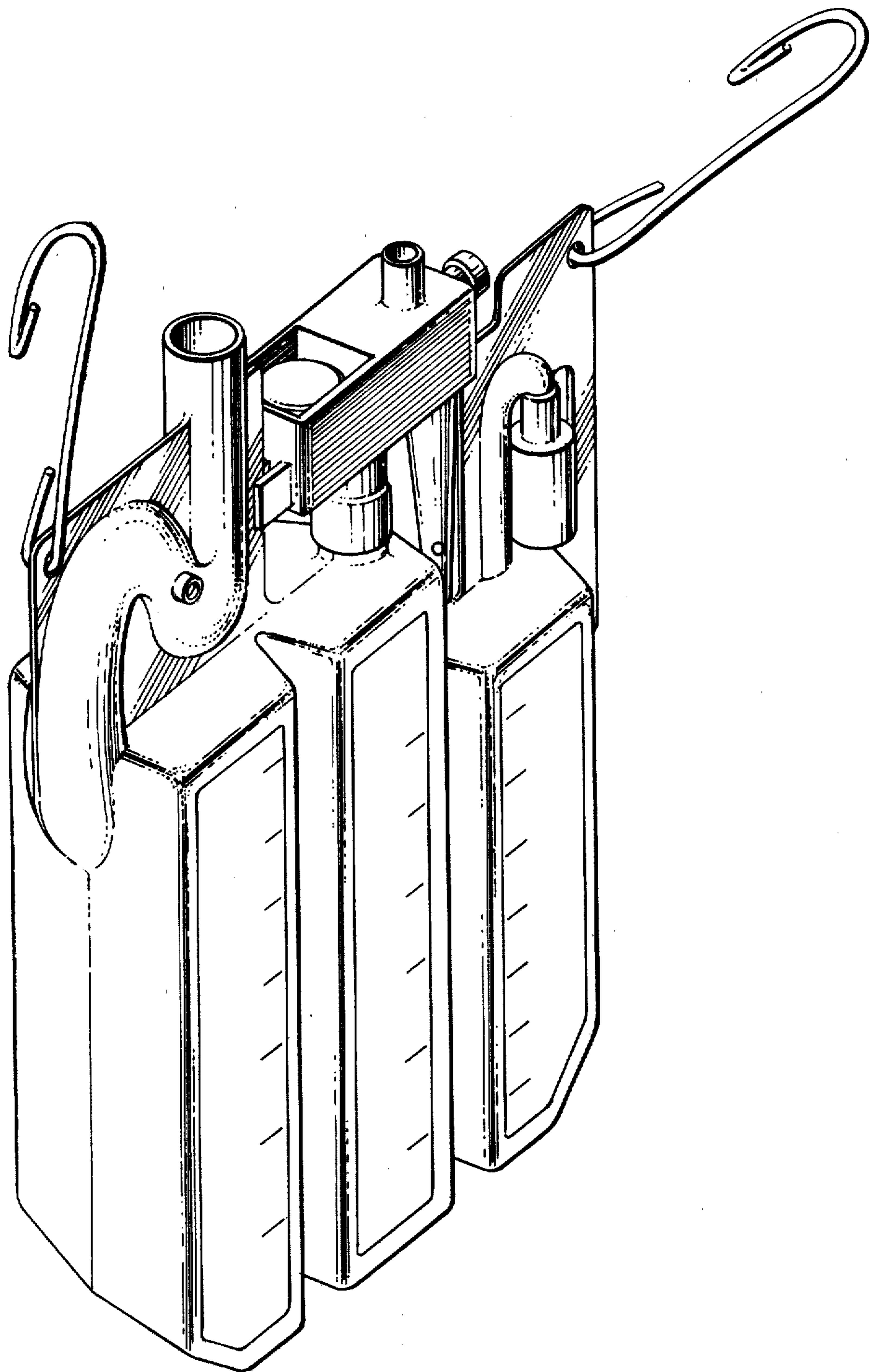


Fig. 1

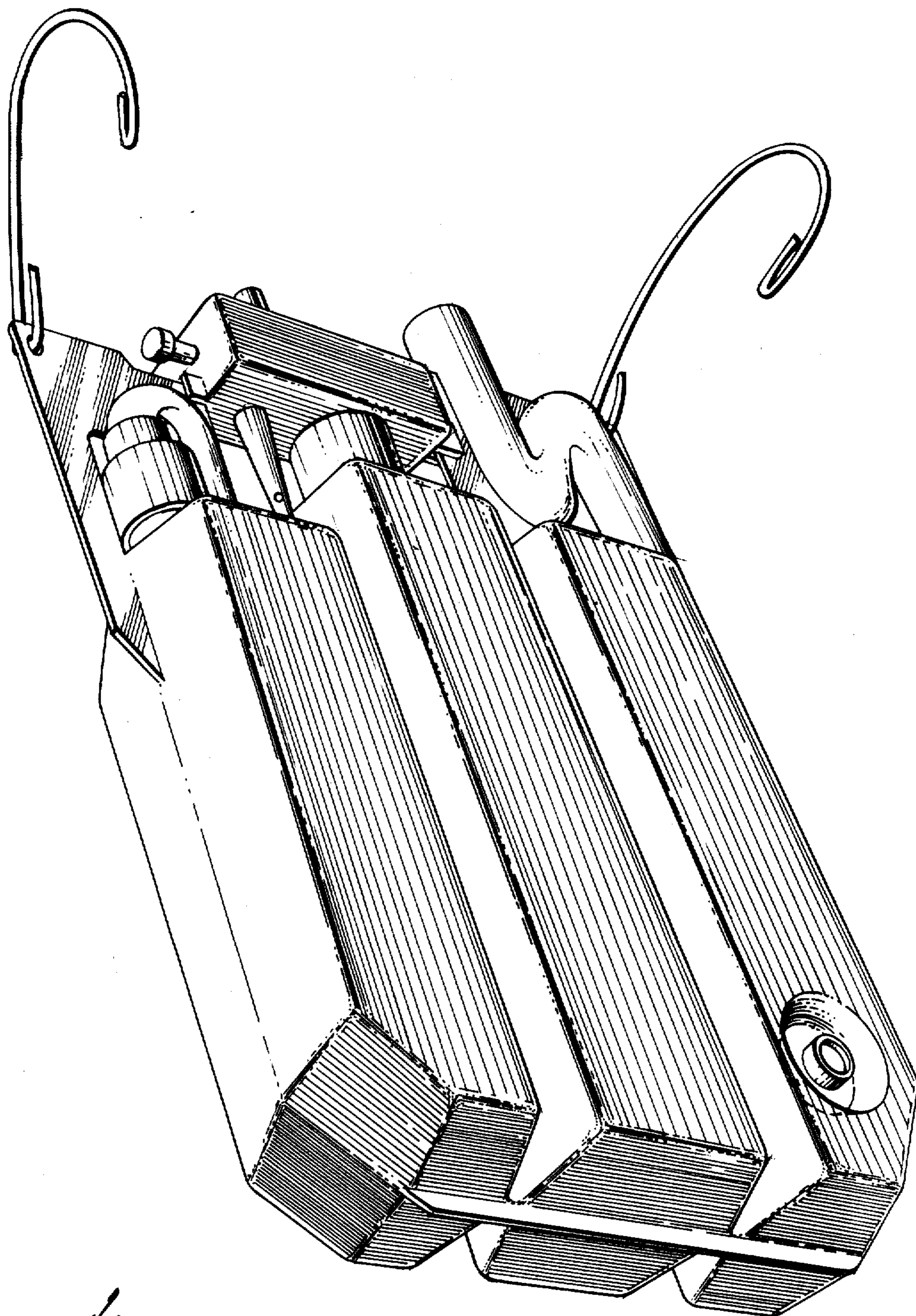


Fig. 2

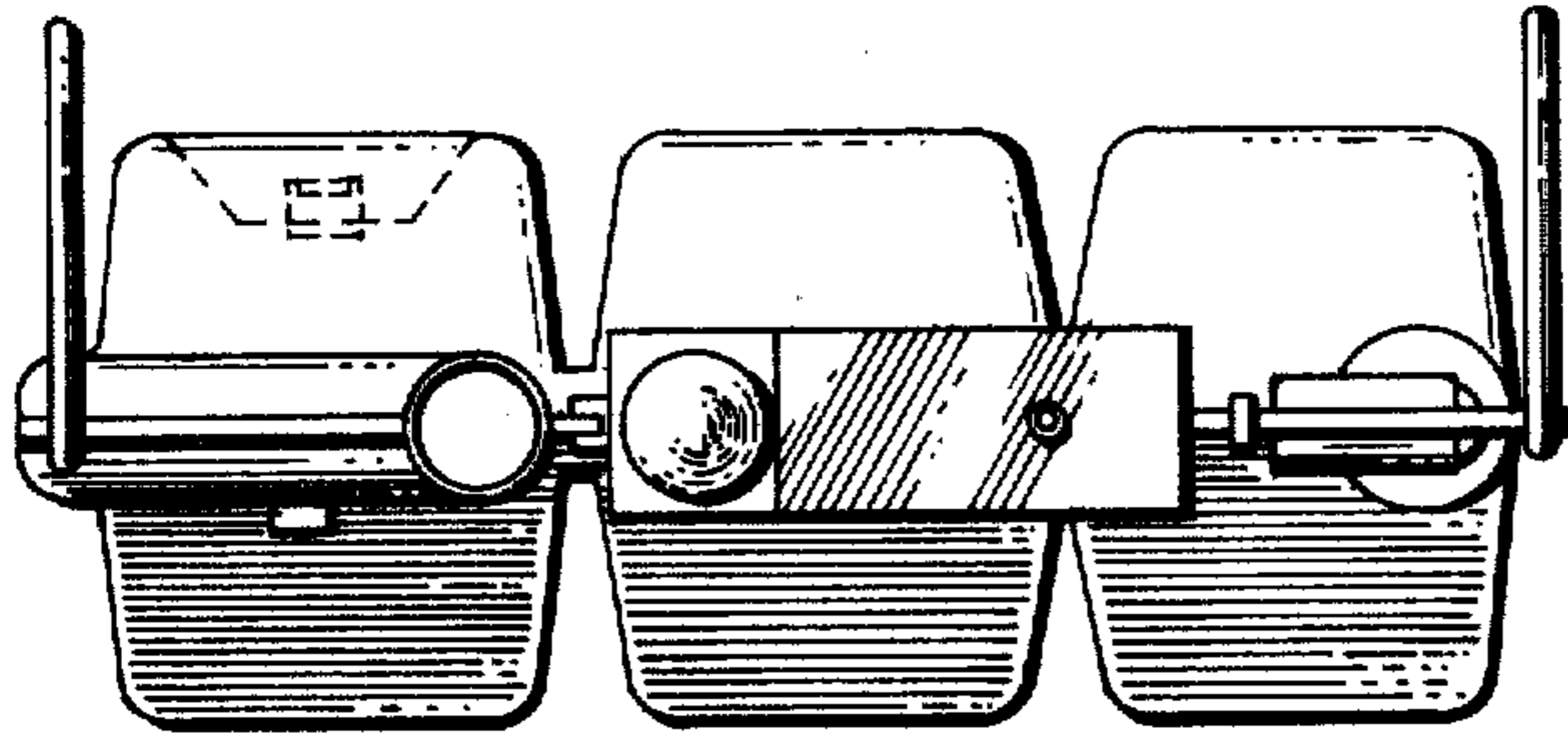


Fig. 5

Fig. 4

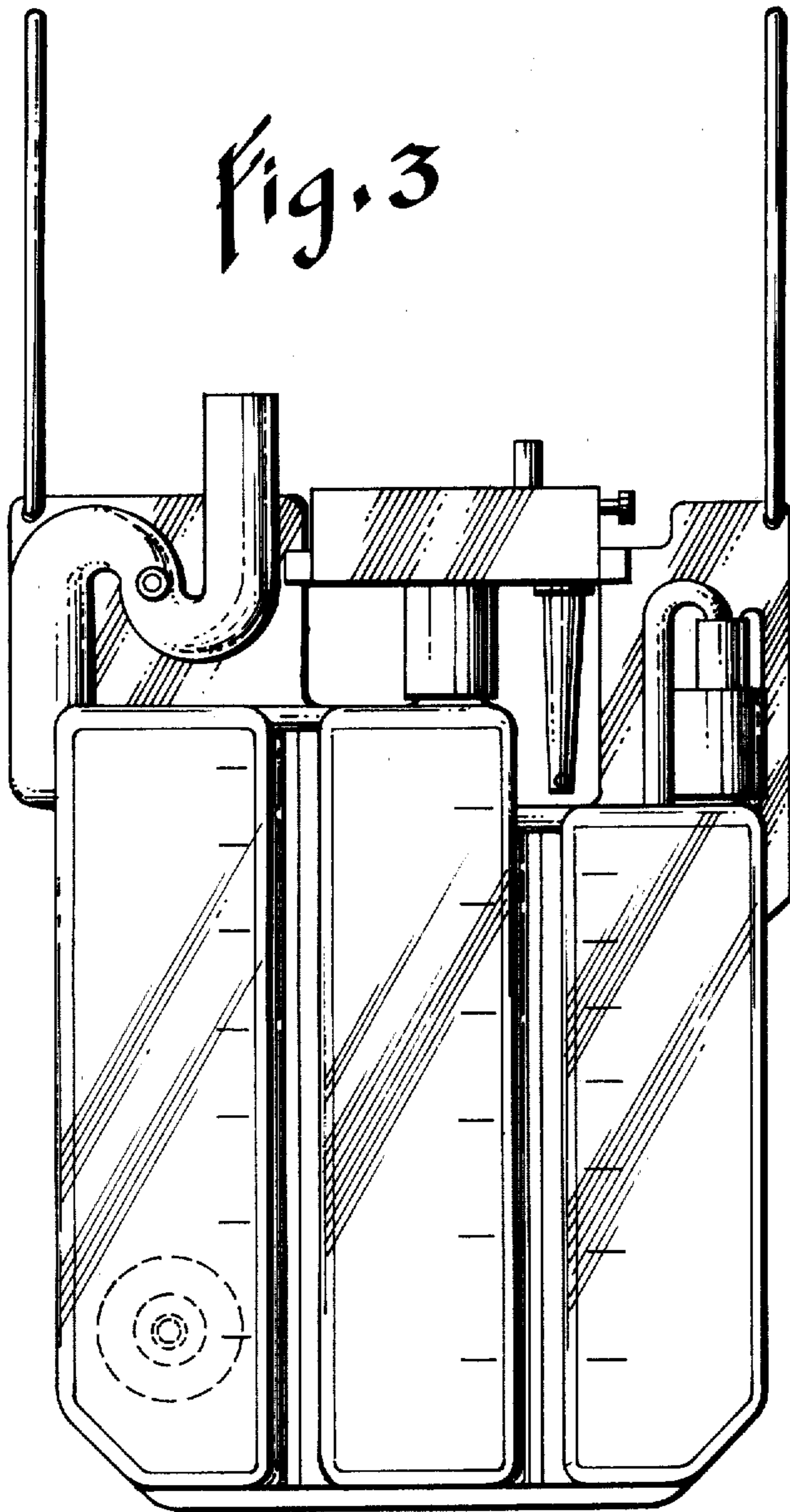


Fig. 3

