

[54] TANNING TUB

[76] Inventor: Anne W. Lee, 1439 Farmington Rd., Birmingham, Ala. 35235

[**] Term: 14 Years

[21] Appl. No.: 185,368

[22] Filed: Sep. 8, 1980

[51] Int. Cl. D24-99

[52] U.S. Cl. D24/38; D21/252

[58] Field of Search D25/2; D24/38; 128/372; D21/252; 4/513; 272/56.5 R

[56] References Cited

U.S. PATENT DOCUMENTS

- D. 208,383 8/1967 Tecton D24/39
- D. 233,262 10/1974 Tersch D24/38
- D. 235,581 6/1975 Gage D24/39

- D. 257,591 12/1980 Brown D21/252
- 3,908,205 9/1975 Chase 4/513

Primary Examiner—Bernard Ansher
Attorney, Agent, or Firm—Woodford R. Thompson, Jr.

[57] CLAIM

The ornamental design for a tanning tub, as shown.

DESCRIPTION

FIG. 1 is a perspective view of a tanning tub showing my new design;
 FIG. 2 is a perspective view looking from the bottom of FIG. 1;
 FIG. 3 is a top plan view thereof;
 FIG. 4 is a bottom view thereof;
 FIG. 5 is a side view thereof, the side not shown being a mirror image of the side shown;
 FIG. 6 is an end view thereof looking from the left of FIG. 5; and,
 FIG. 7 is an end view looking from the right of FIG. 5.

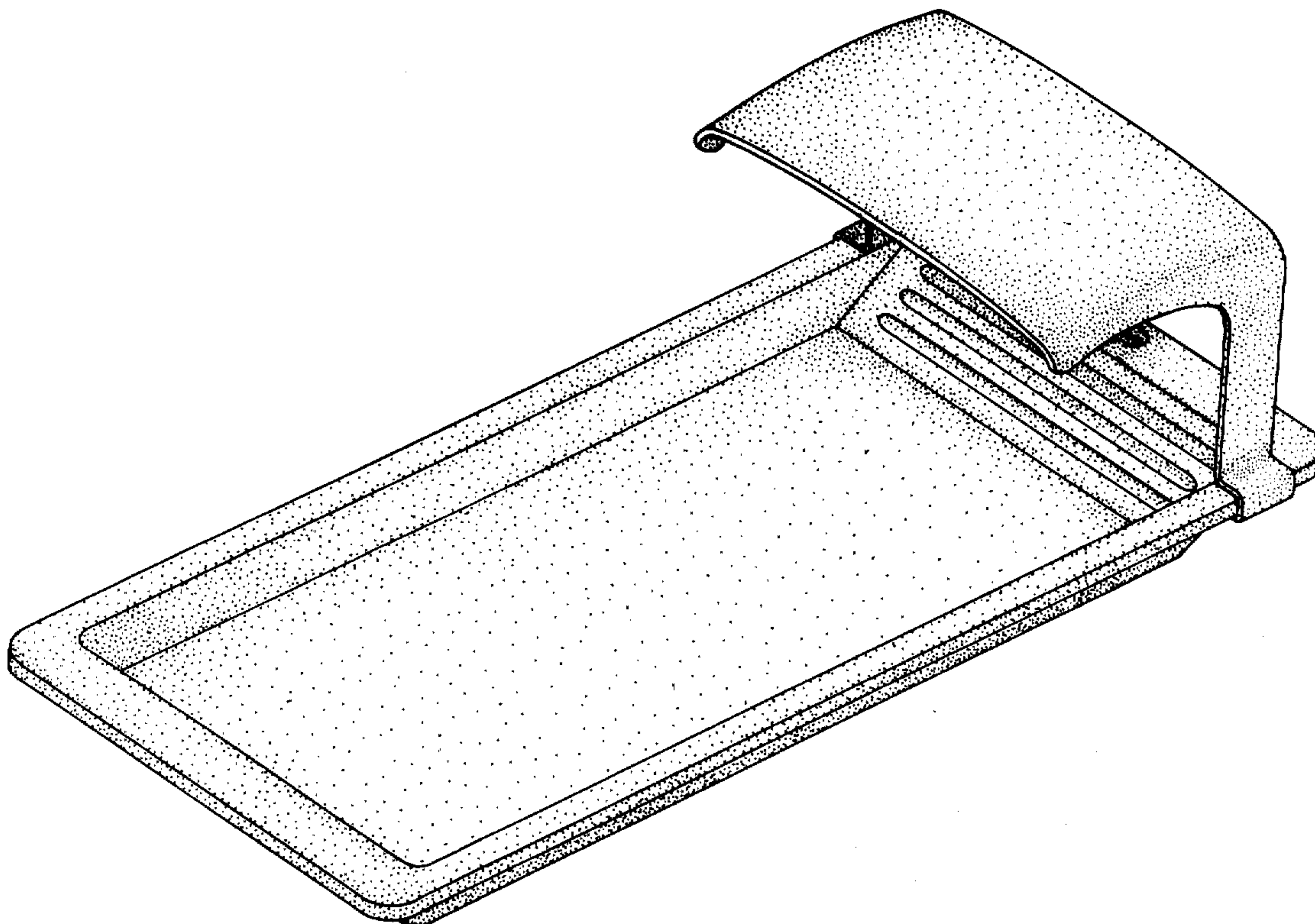


FIG. 1

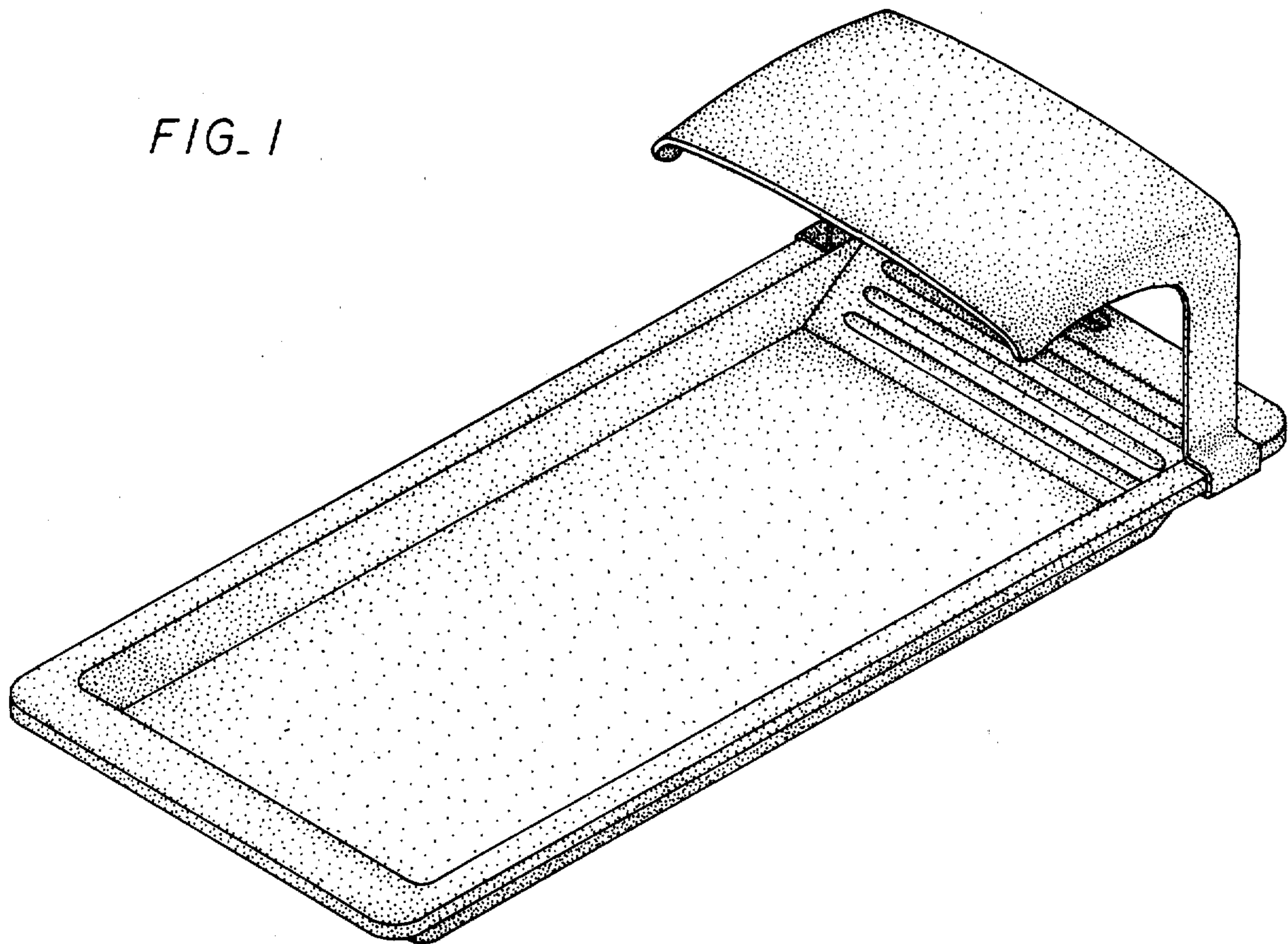
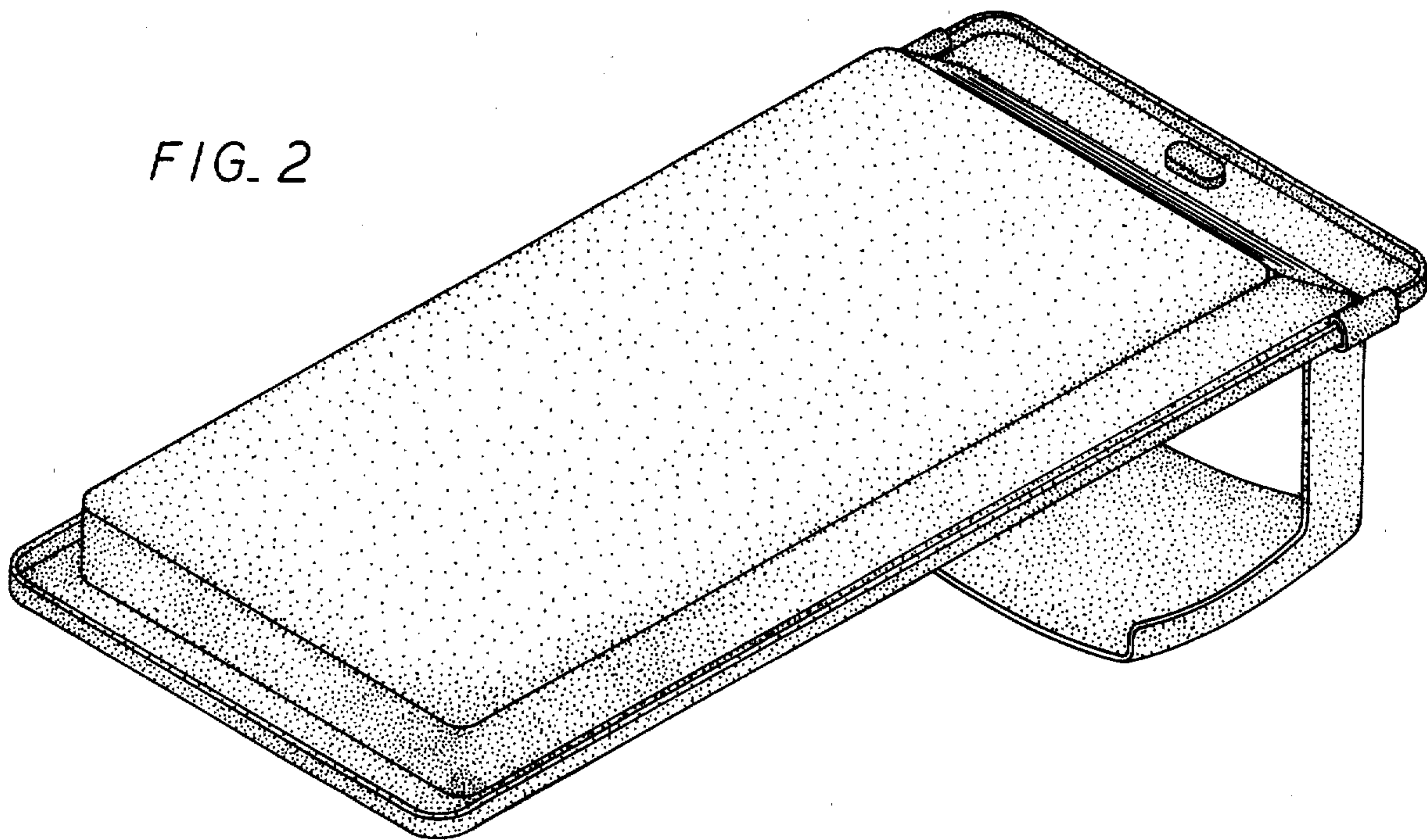


FIG. 2



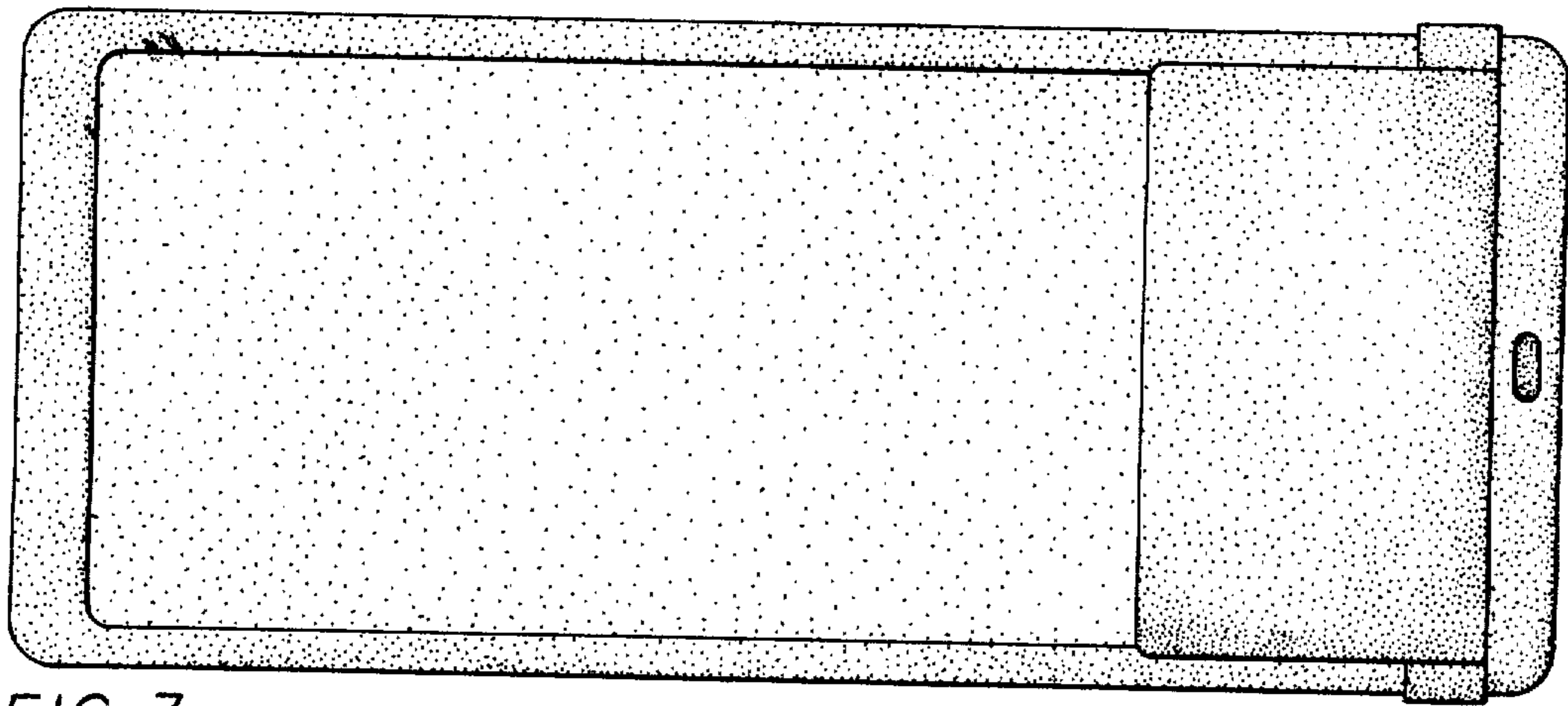


FIG. 3

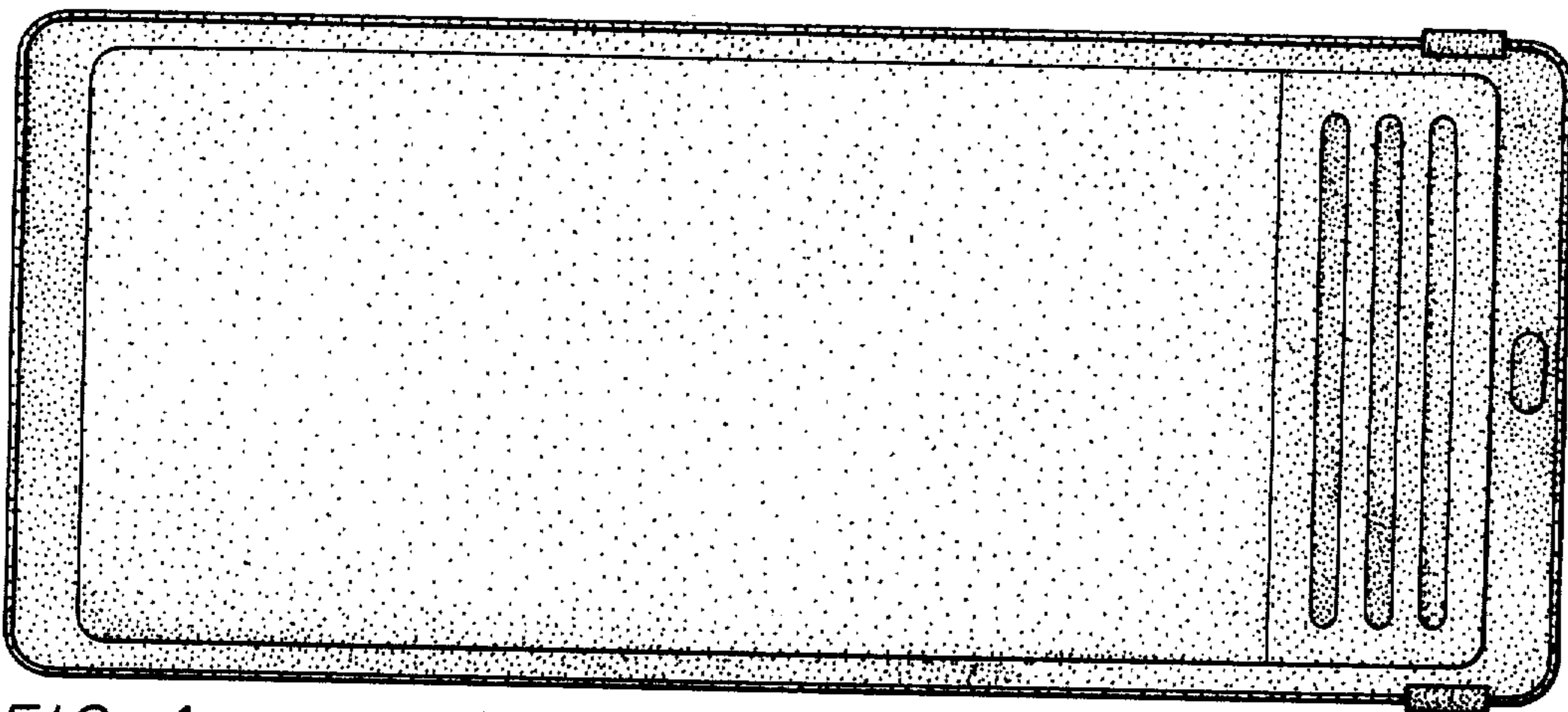


FIG. 4

FIG. 5

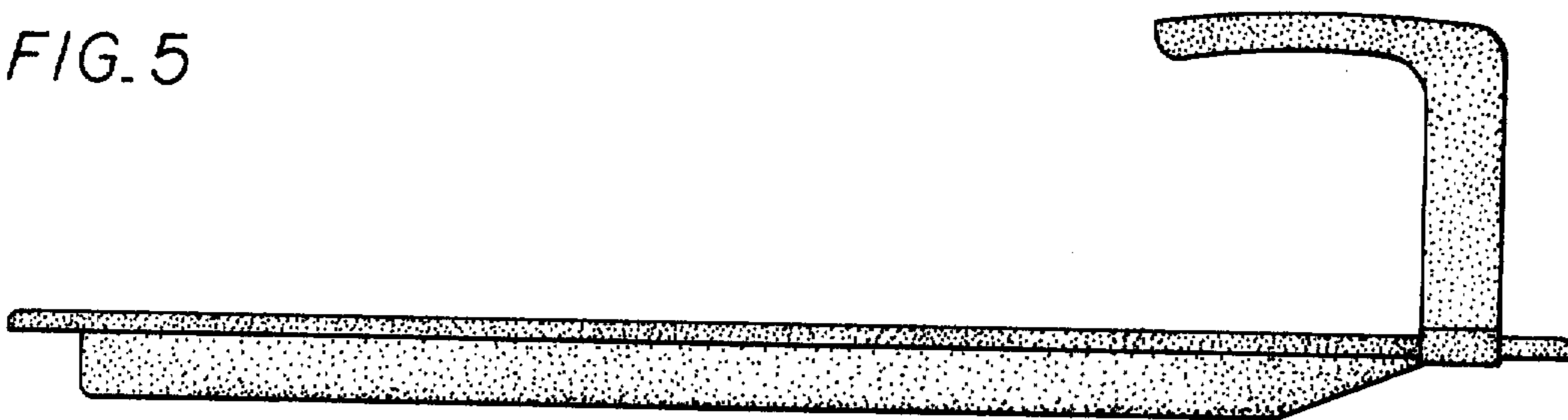


FIG. 6

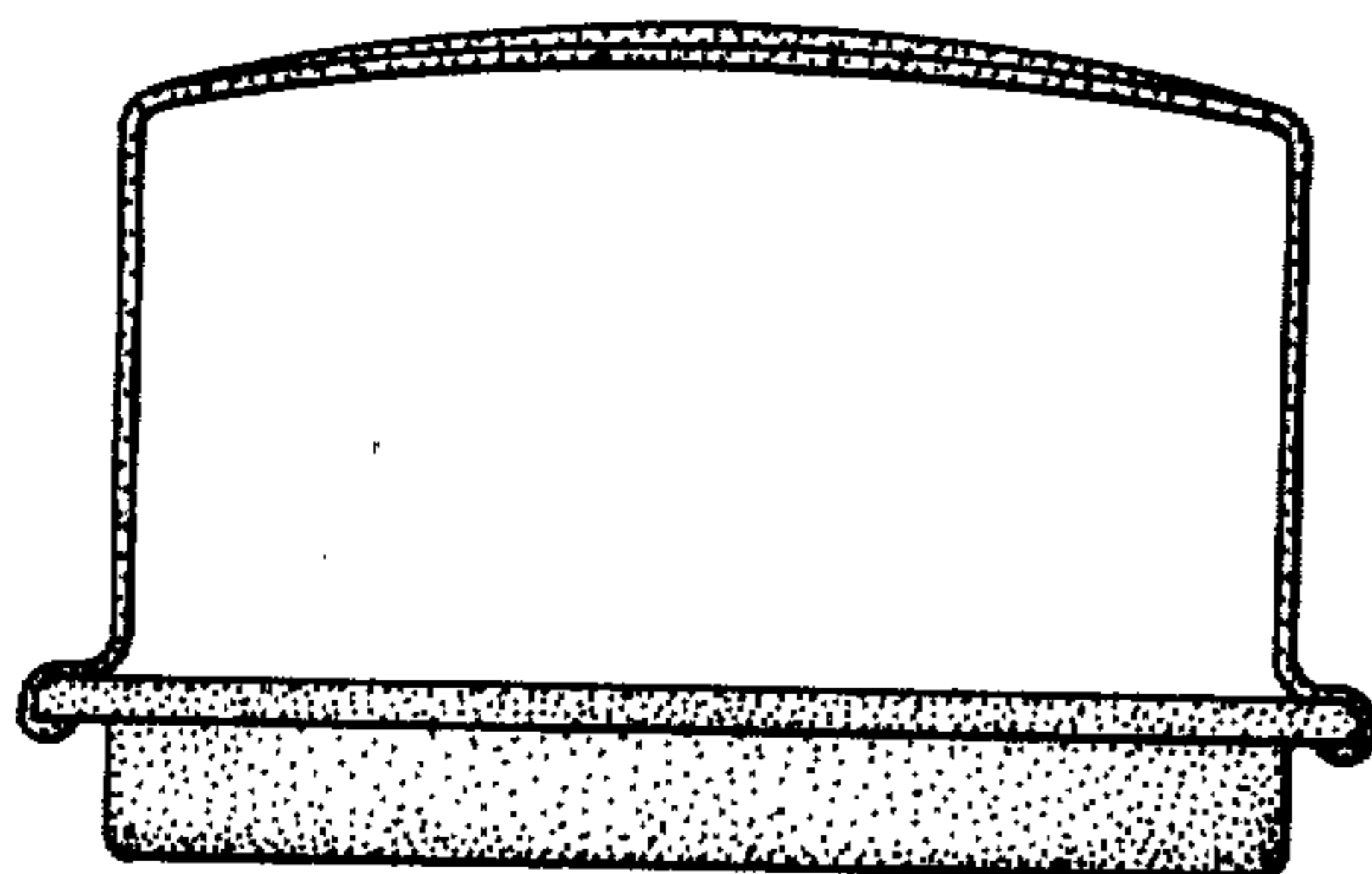


FIG. 7

