

[54] SHOWERHEAD STEAMER ATTACHMENT

[75] Inventors: Spencer L. Mackay, Canoga Park; Frederick G. Mackay; Allan B. Johnson, both of Tarzana, all of Calif.

[73] Assignee: Teledyne Industries, Inc.

[**] Term: 14 Years

[21] Appl. No.: 193,959

[22] Filed: Oct. 6, 1980

[51] Int. Cl. D23-01

[52] U.S. Cl. D23/34

[58] Field of Search D23/34-38; 239/282, 283, 310, 318, 380-383, 443-449, 499, 525, 529, 548, 551, 552, 556, 558-560, 563, 564, 567, 568, 586-588

[56] References Cited

U.S. PATENT DOCUMENTS

- D. 235,445 6/1975 MacKay et al. D23/35
- D. 235,997 7/1975 Johnson D23/35

- D. 260,808 9/1981 Headen D23/35
- 3,557,389 1/1971 Scobeg 4/524
- 3,865,310 2/1975 Elkins et al. 239/283
- 3,917,172 11/1975 O'Haro 239/588 X
- 3,958,756 5/1976 Trenary et al. 239/444 X
- 4,084,271 4/1978 Ginsberg 4/524
- 4,121,773 10/1978 Headen et al. 239/318 X
- 4,303,201 12/1981 Elkins et al. 239/447 X

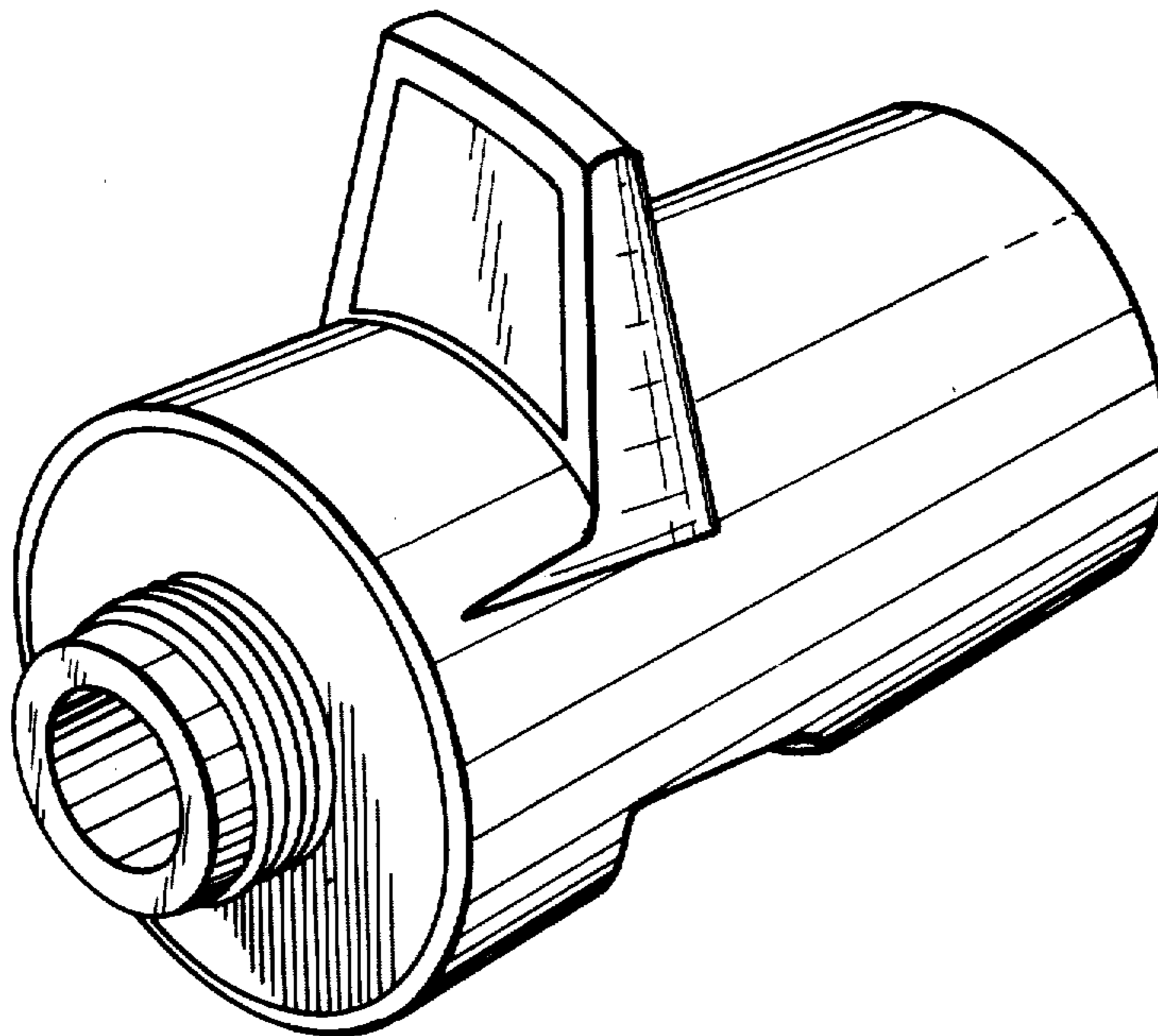
Primary Examiner—James R. Largen
Attorney, Agent, or Firm—Hugh H. Drake

[57] CLAIM

The ornamental design for a showerhead steamer attachment, as shown and described.

DESCRIPTION

FIG. 1 is an isometric view of a showerhead steamer attachment embodying the new design; FIG. 2 is a side elevational view thereof, the opposite side elevational view being a mirror image of FIG. 2; FIG. 3 is a top plan view thereof; FIG. 4 is a bottom plan view thereof; FIG. 5 is a front elevational view thereof; and FIG. 6 is a rear elevational view thereof.



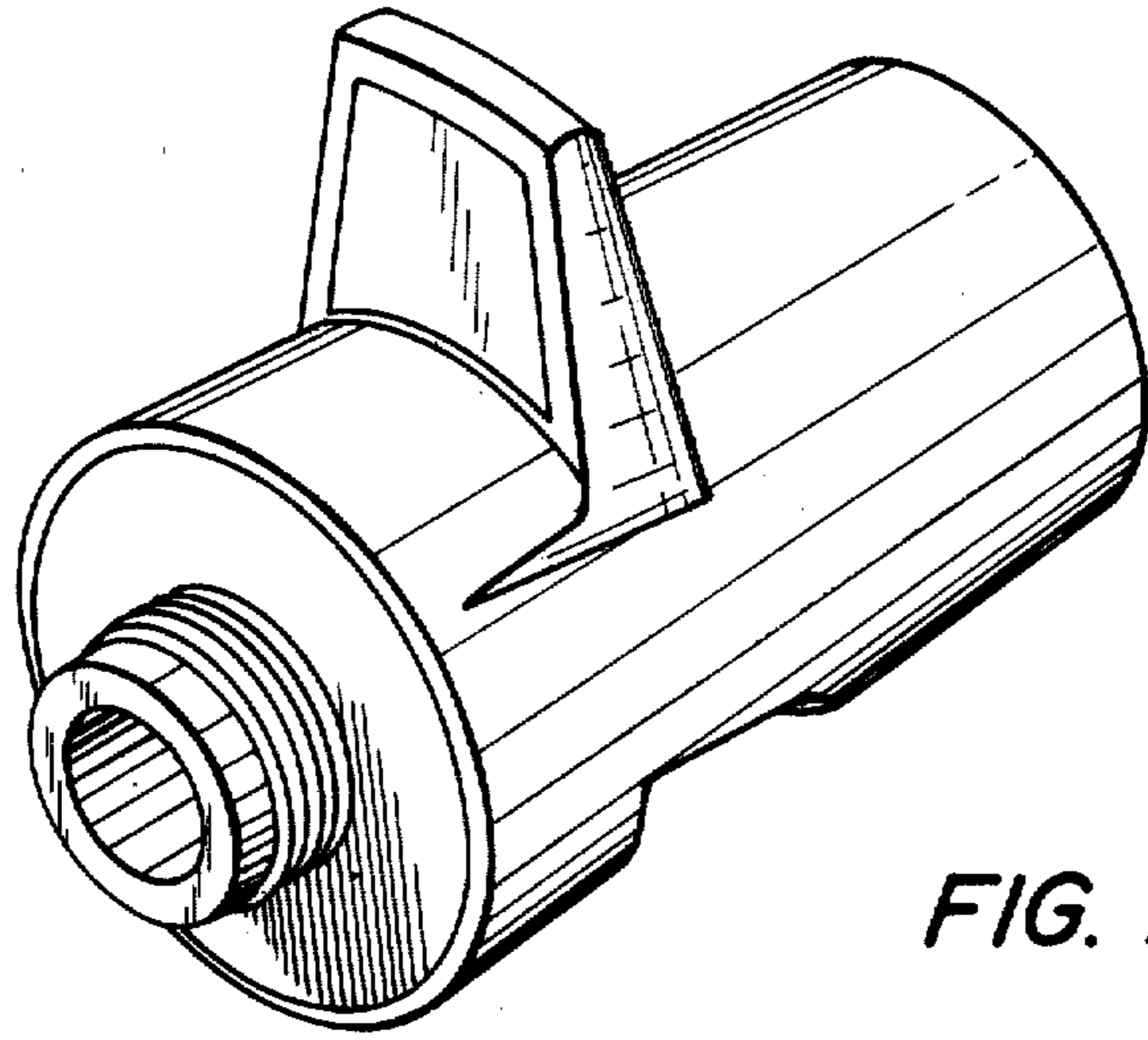


FIG. 1

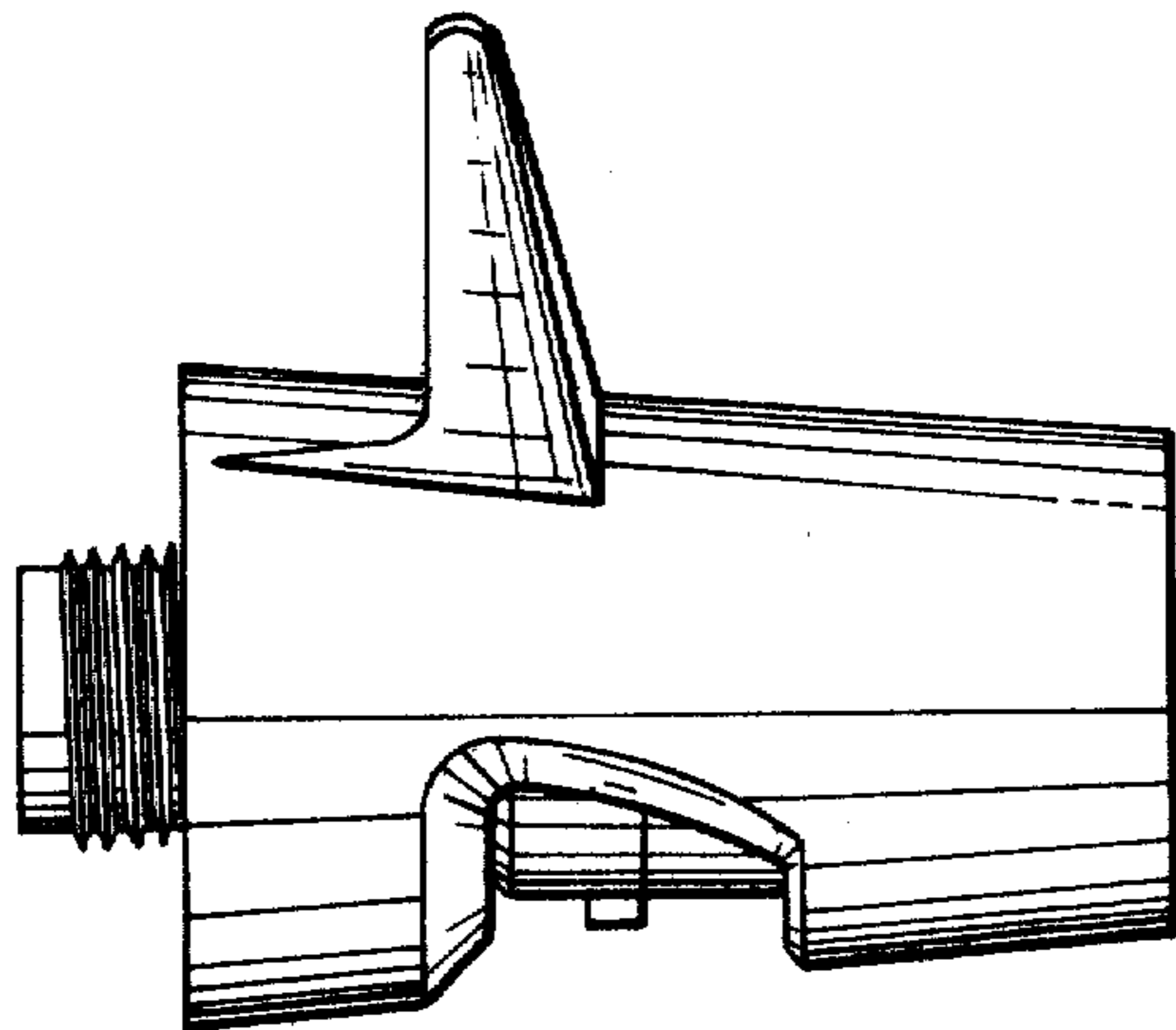


FIG. 2

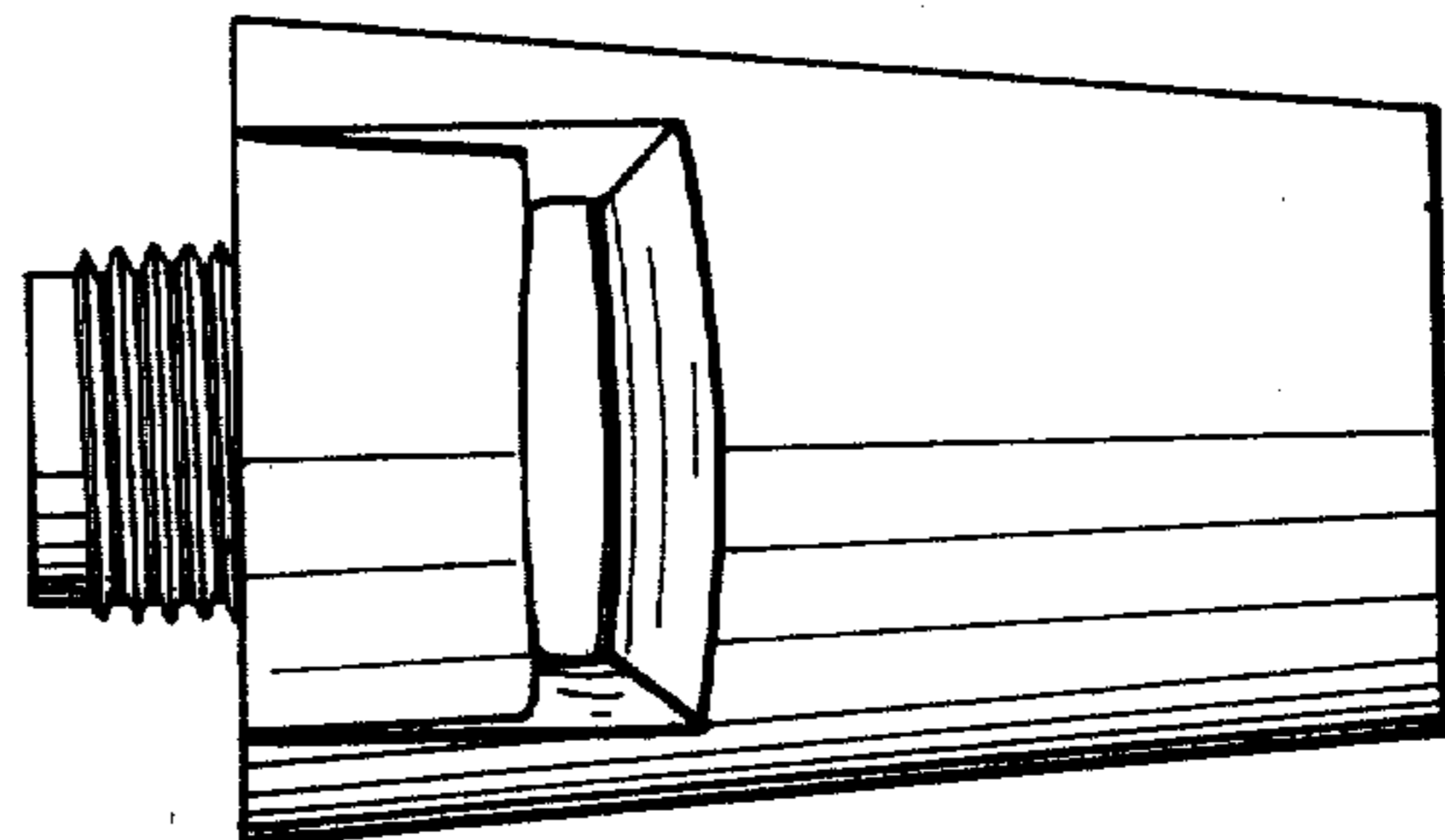


FIG. 3

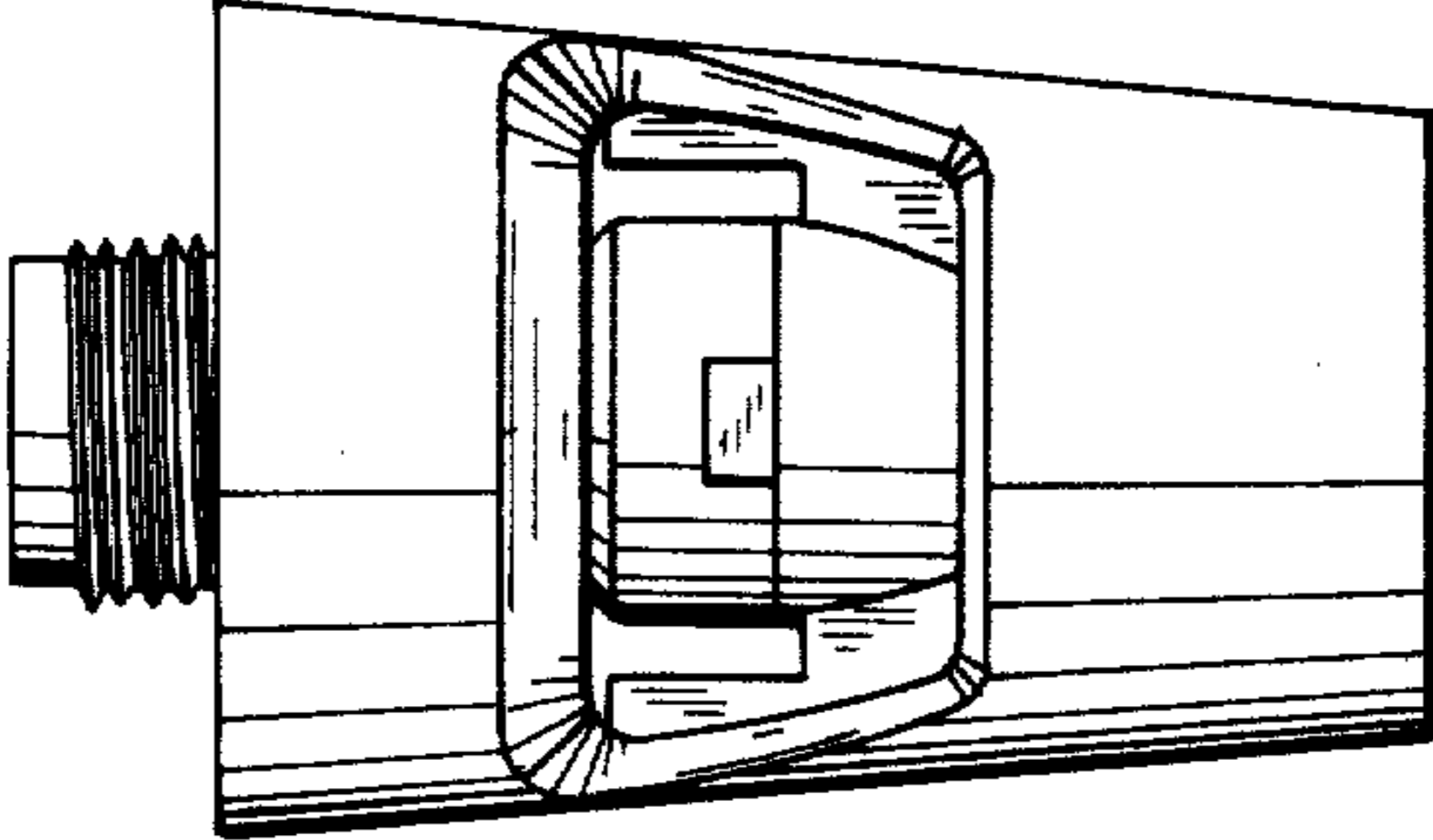


FIG. 4

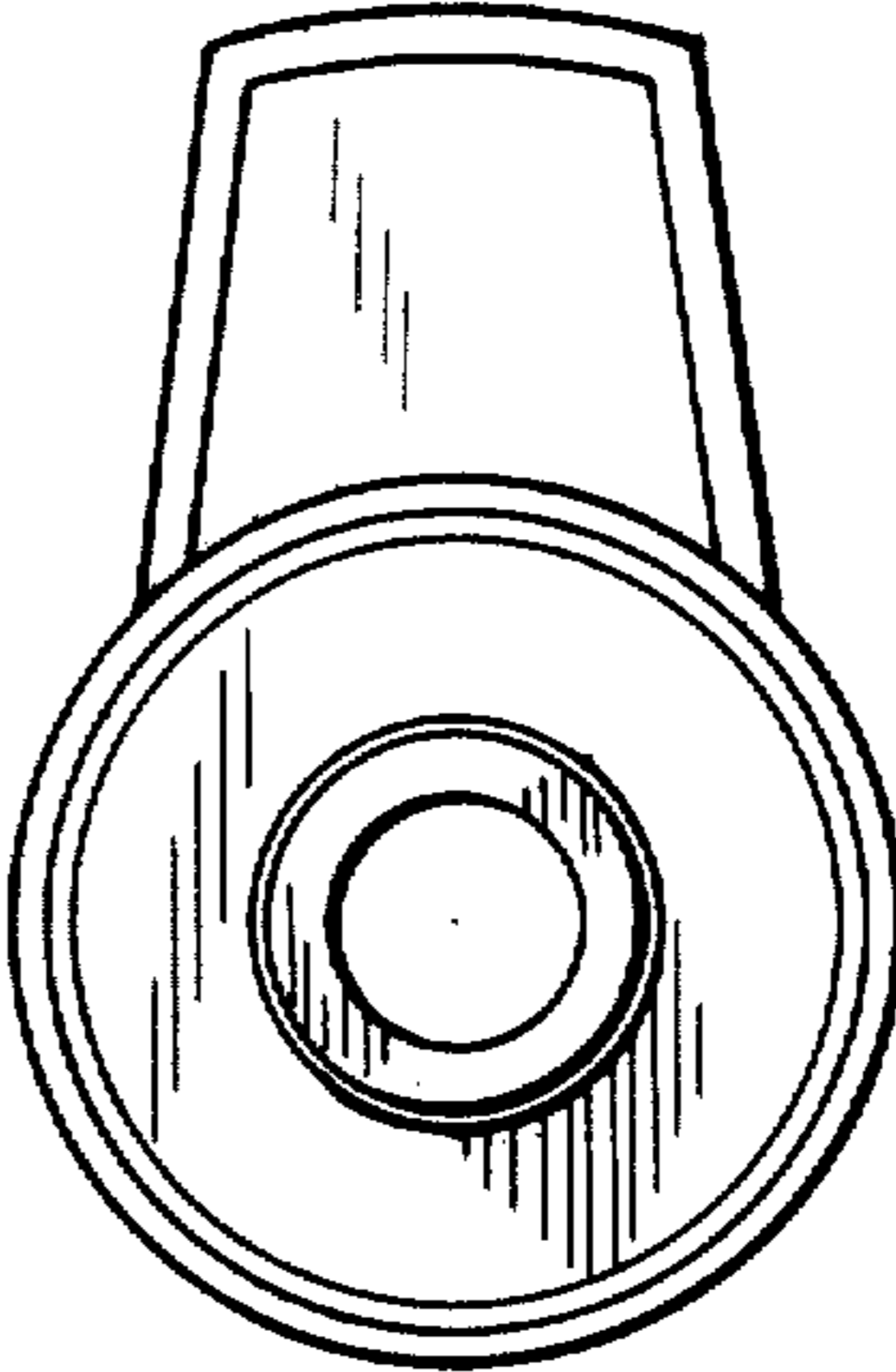


FIG. 5

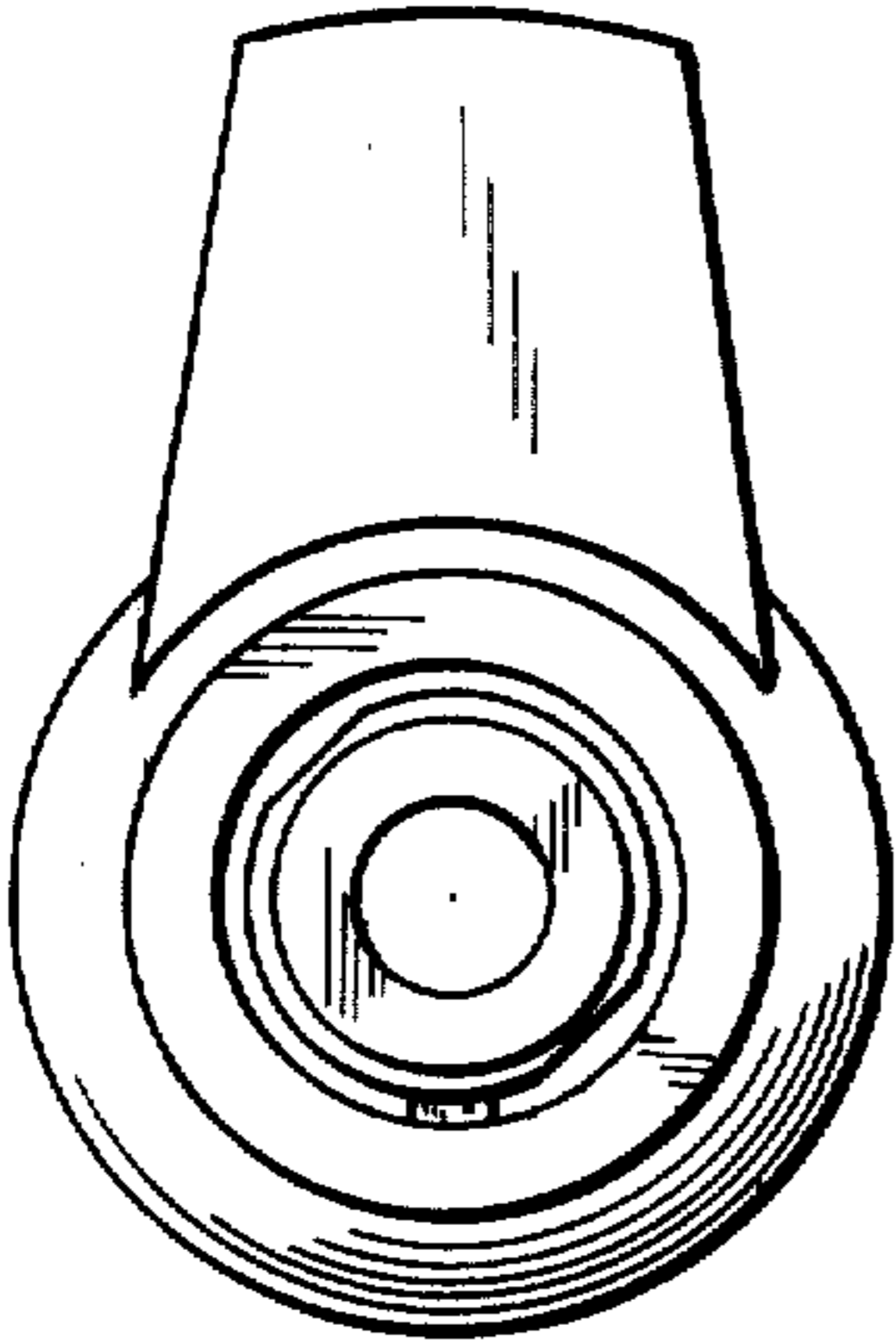


FIG. 6

UNITED STATES PATENT OFFICE
CERTIFICATE OF CORRECTION

Patent No. Des. 267,422 Dated Dec. 28, 1982

Inventor(s) Spencer L. Mackay, et al

It is certified that error appears in the above-identified patent and that said Letters Patent are hereby corrected as shown below:

In the title, in the claim and in the description of Fig. 1, cancel "showerhead steamer attachment" and substitute -- mist nozzle for a shower head system --.

In the description of Fig. 1, cancel "the" and substitute -- our --.

In the description of Fig. 2, cancel "elevational view" and "Fig. 2" and substitute, after "image", -- the side shown --.

Signed and Sealed this

Twenty-ninth Day of March 1983

[SEAL]

Attest:

GERALD J. MOSSINGHOFF

Attesting Officer

Commissioner of Patents and Trademarks