

[54] EXERCISE STAND

[76] Inventor: Gene Komarnicki, 2A Gertrude St., St. Albans, Victoria, 3021, Australia

[**] Term: 14 Years

[21] Appl. No.: 145,835

[22] Filed: May 1, 1980

[30] Foreign Application Priority Data

May 11, 1979 [AU] Australia 79473

[51] Int. Cl. D21-02

[52] U.S. Cl. D21/191

[58] Field of Search D21/191-199; 272/67, 68, 125, 142, 143, 134, 139, 138, 144; D6/35

[56] References Cited

U.S. PATENT DOCUMENTS

D. 224,245 7/1972 Hock D21/243
3,989,240 11/1976 Victor et al. 272/125
4,252,314 2/1981 Ceppo 272/143

OTHER PUBLICATIONS

Recreation Management, Adv. Supplement, 4-1972, p. 3, Economy Weight Bench.

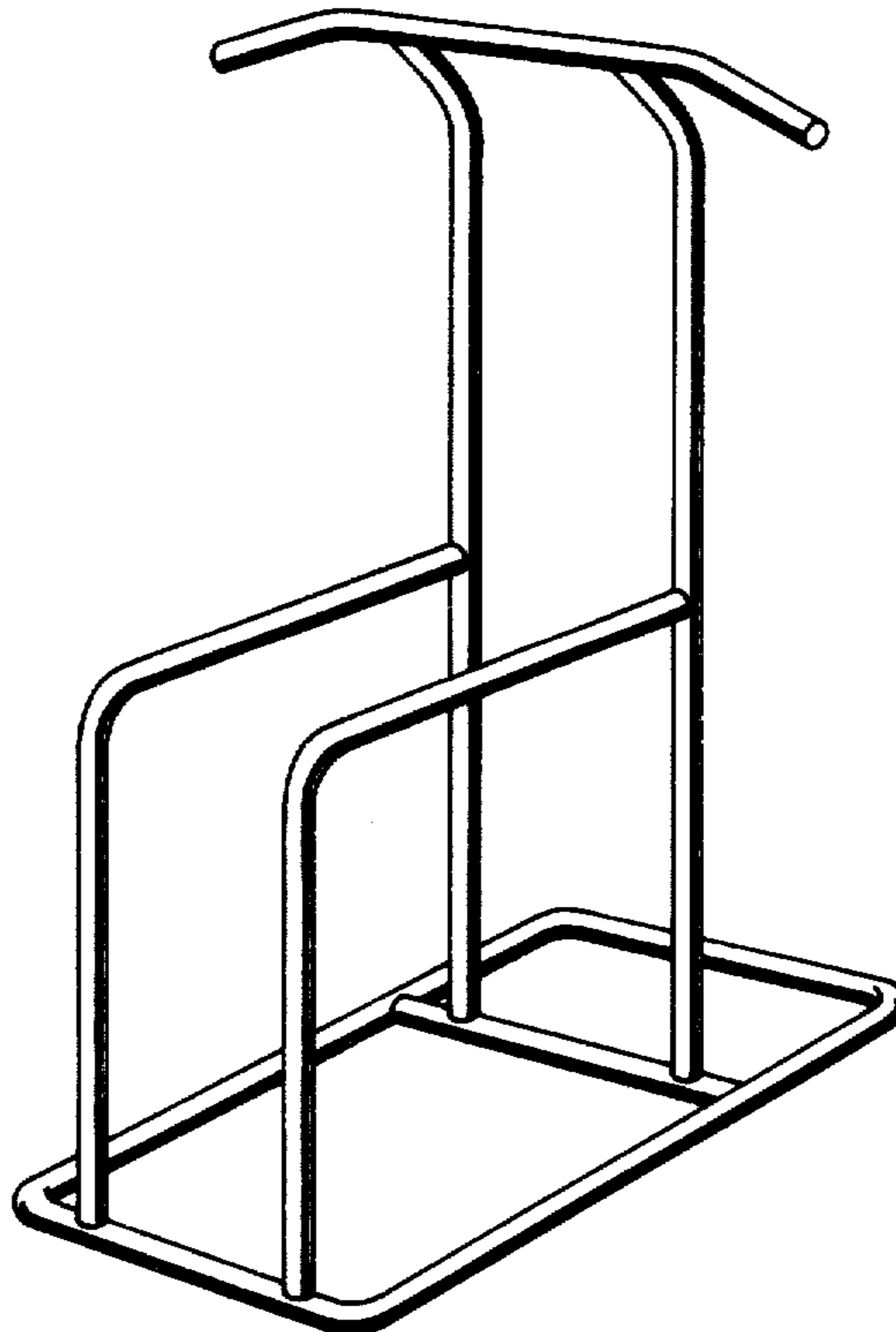
Primary Examiner—Charles A. Rademaker
Attorney, Agent, or Firm—Irons and Sears

[57] CLAIM

The ornamental design for an exercise stand, as shown.

DESCRIPTION

FIG. 1 is a rear perspective view of an exercise stand showing my new design;
FIG. 2 is a side elevational view thereof;
FIG. 3 is a rear elevational view thereof;
FIG. 4 is a front elevational view thereof;
FIG. 5 is a top plan view thereof; and,
FIG. 6 is a bottom plan view thereof.



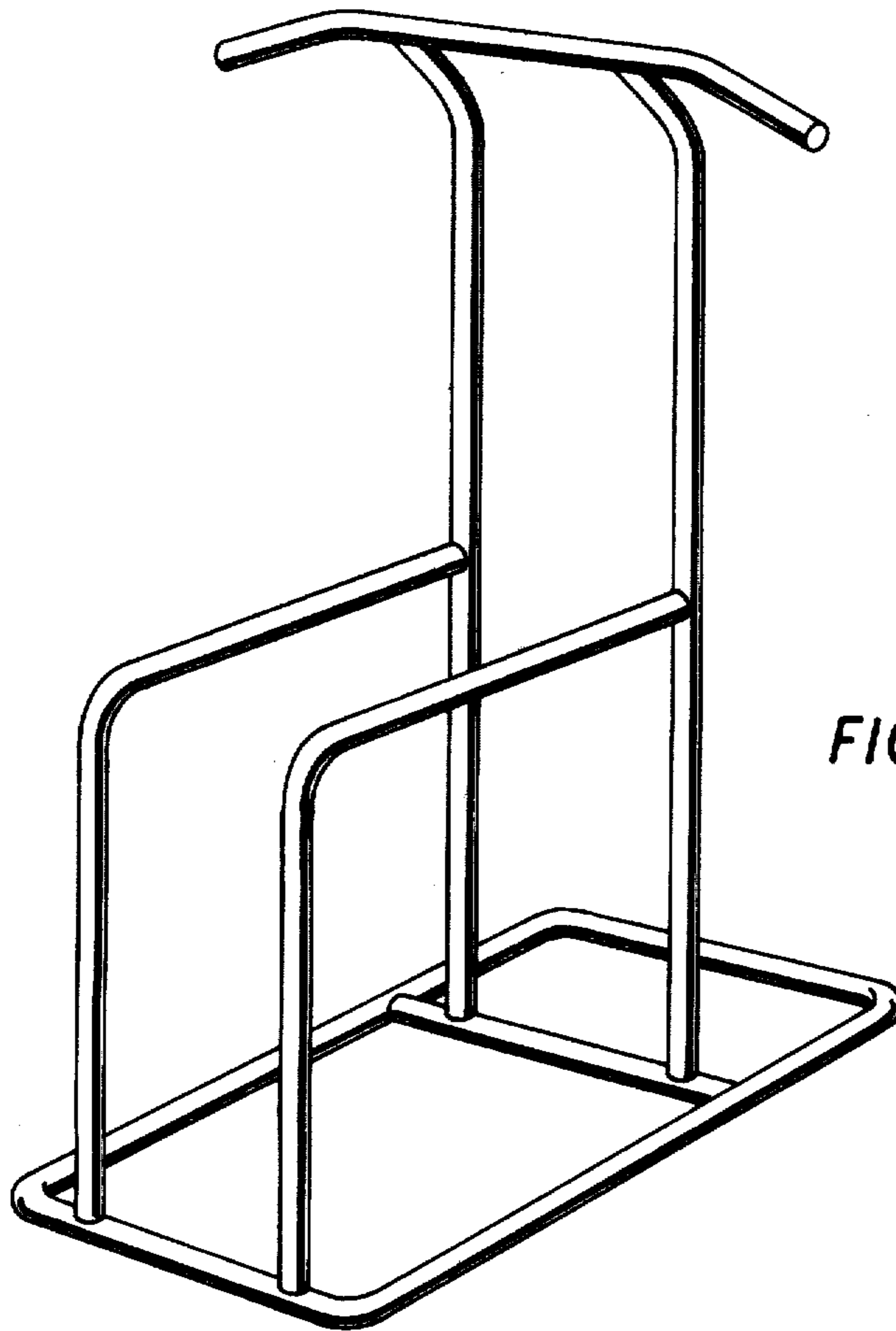


FIG. 1

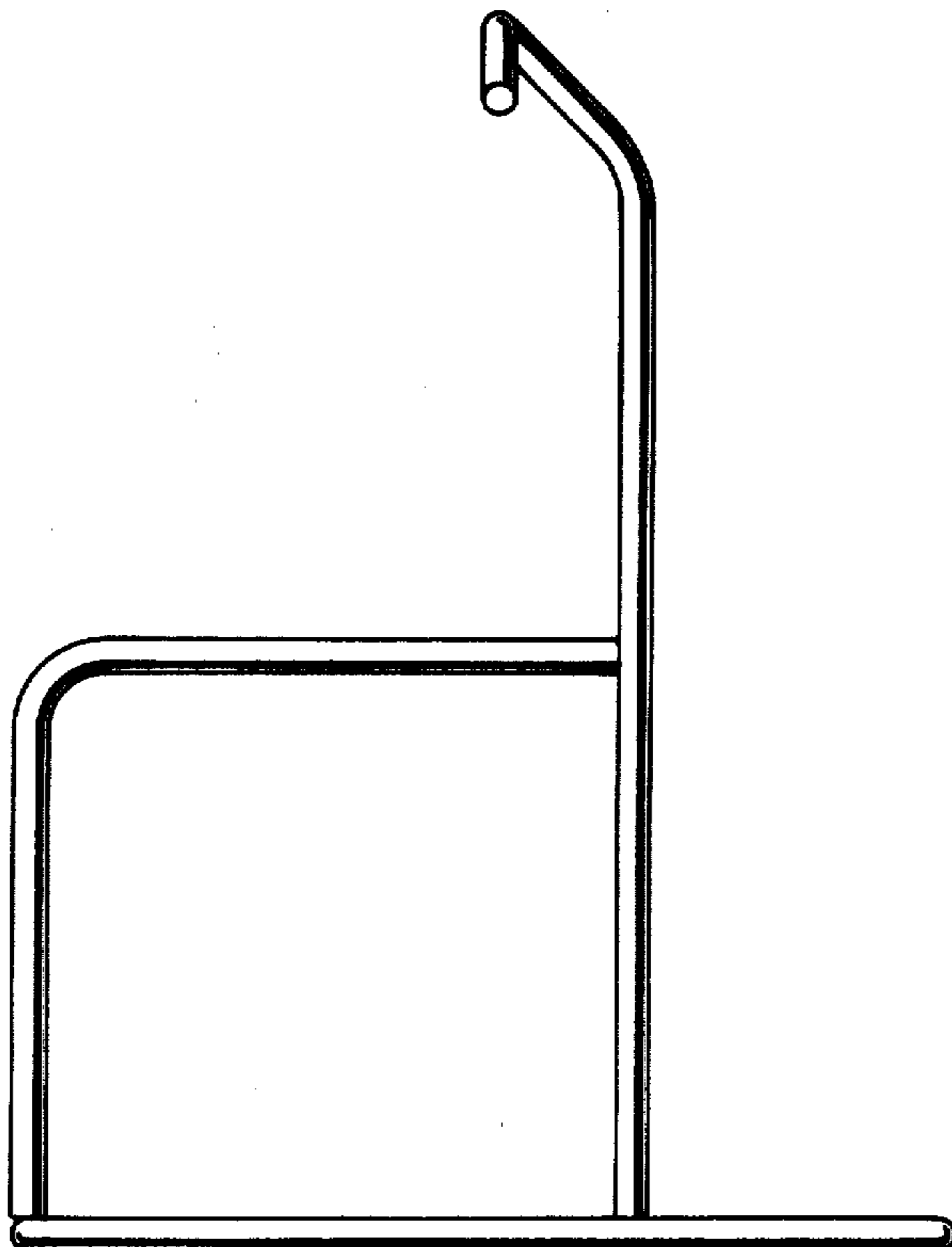


FIG. 2

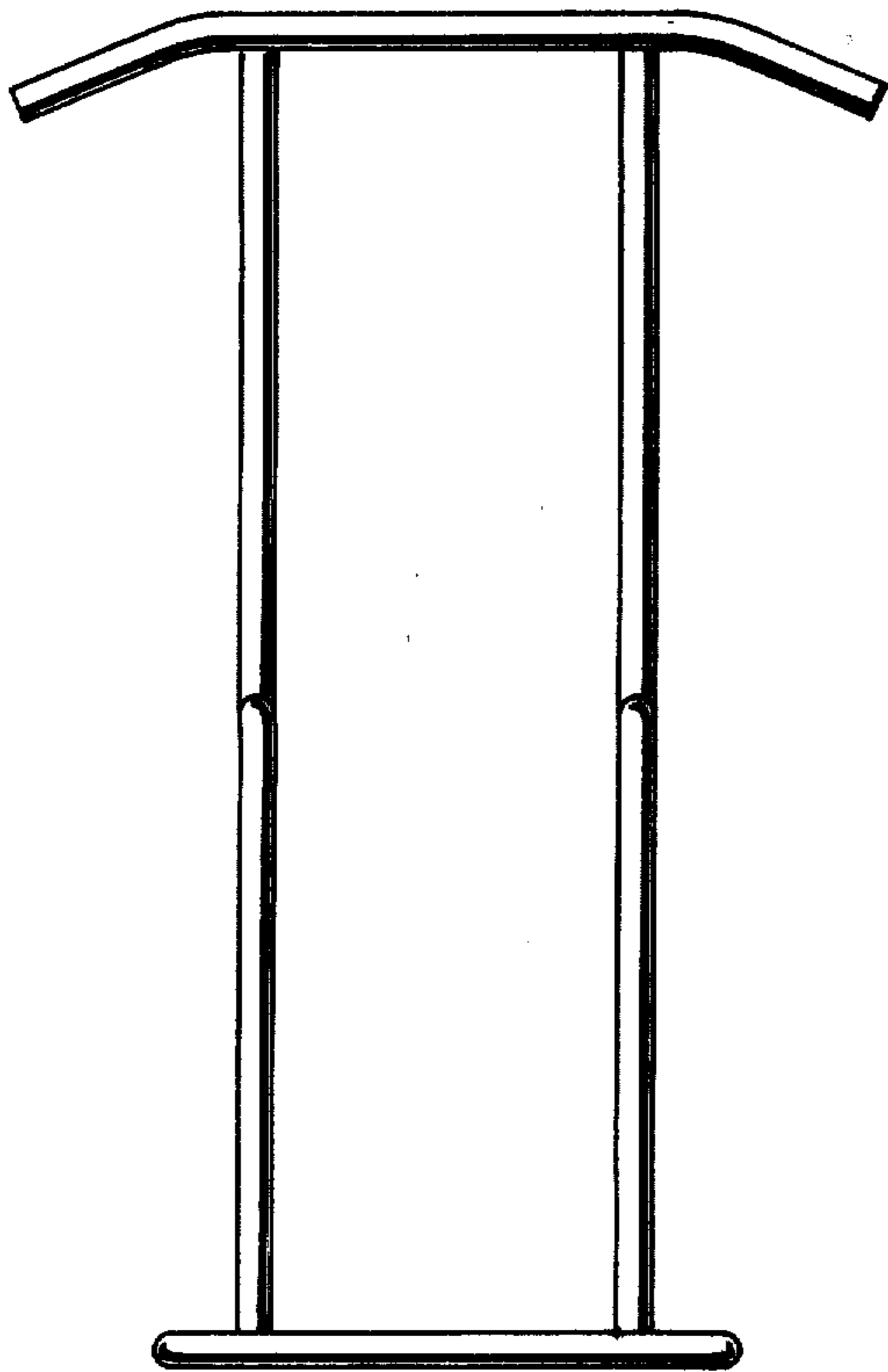


FIG. 3

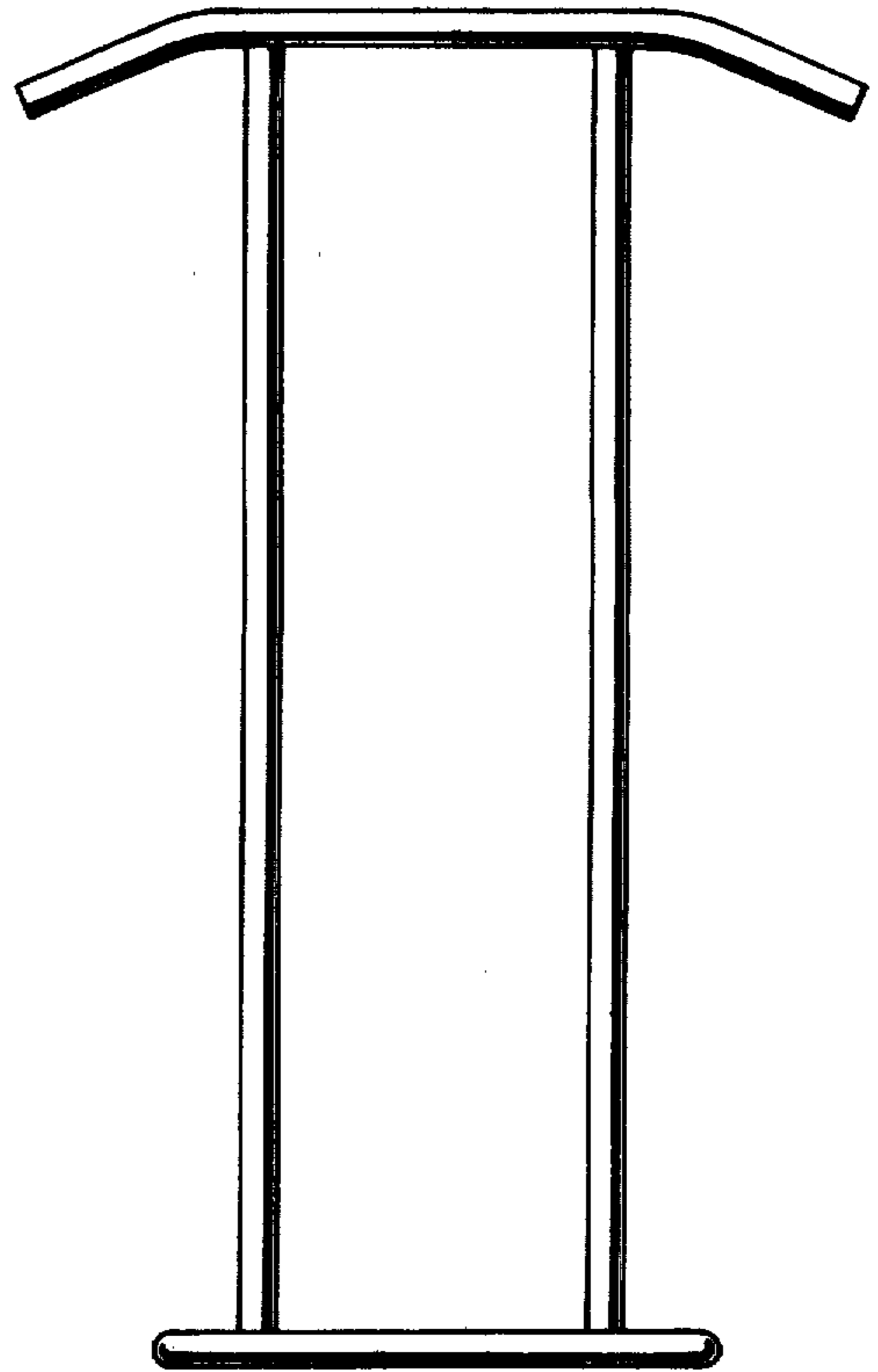


FIG. 4

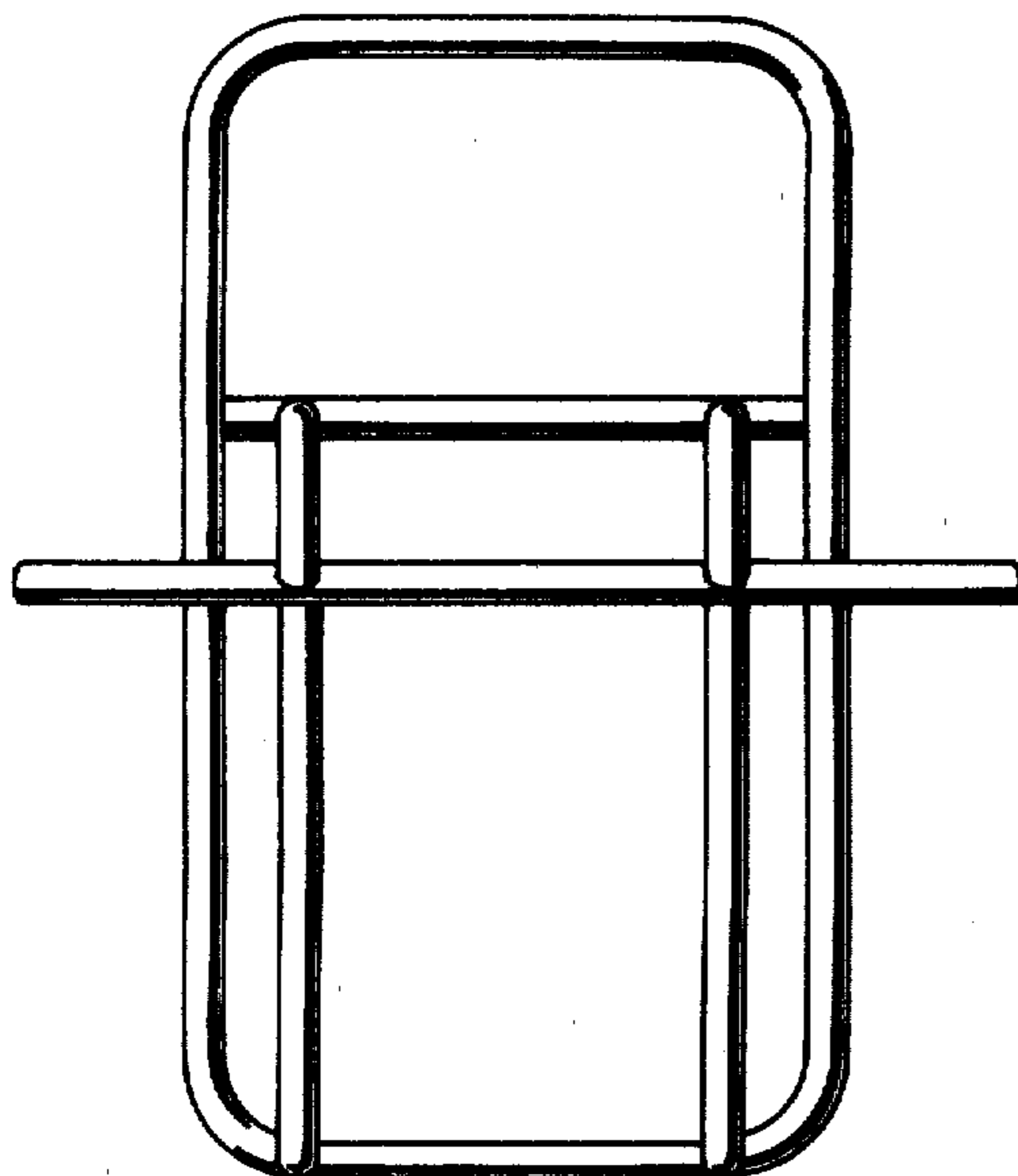


FIG. 5

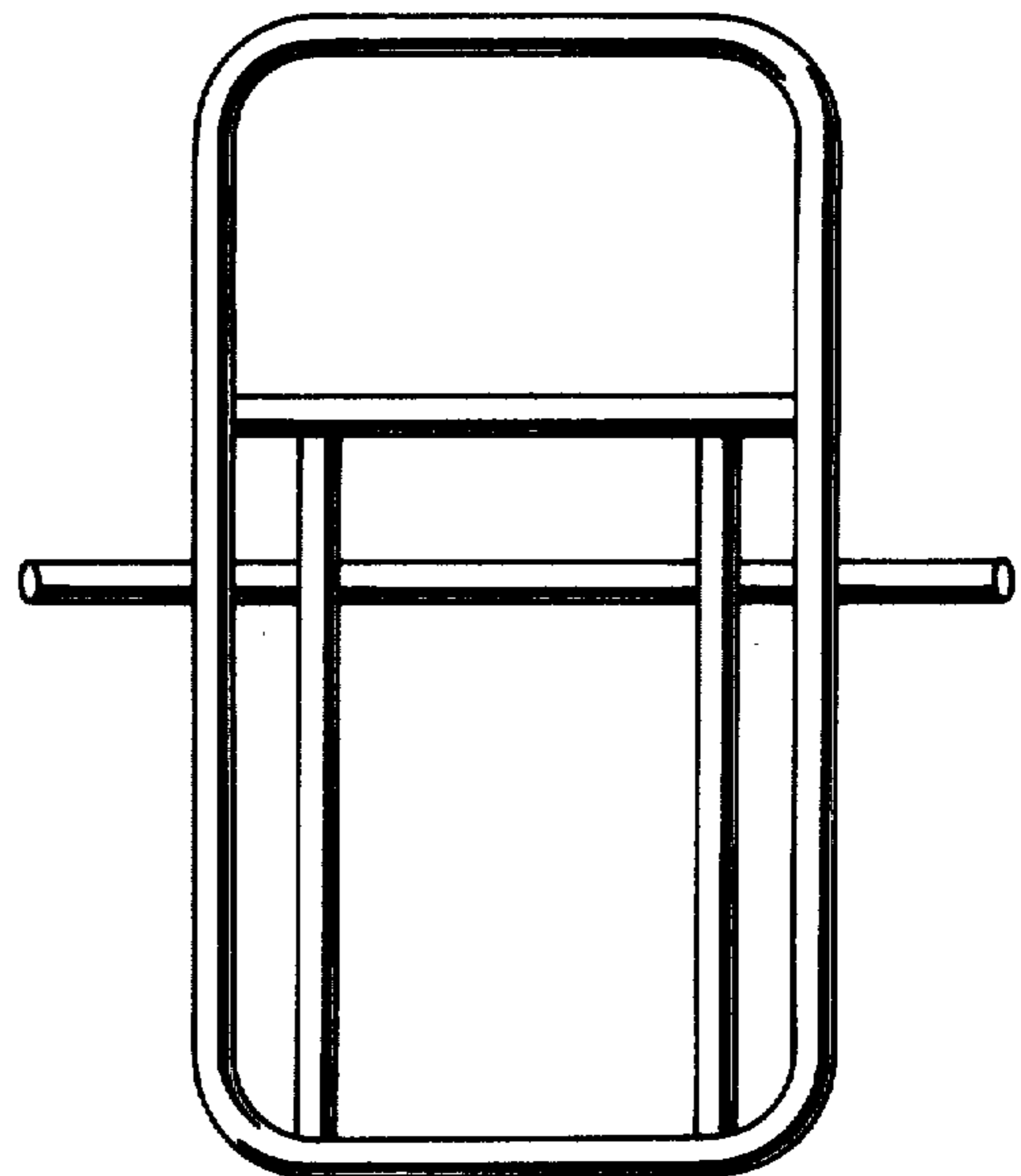


FIG. 6