

[54] **PRINTER FOR AN ELECTRONIC CALCULATOR**

4,218,151 8/1980 Kodur, Jr. .... 400/320 X

[75] Inventor: **Masahiko Mori, Shiojiri, Japan**  
[73] Assignees: **Kabushiki Kaisha Suwa Seikosha, Tokyo; Shinshu Seiki Kabushiki Kaisha, Nagano, both of Japan**

[\*\*] Term: **14 Years**

[21] Appl. No.: **195,040**

[22] Filed: **Oct. 8, 1980**

[30] **Foreign Application Priority Data**

Apr. 18, 1980 [JP] Japan ..... 55-15287

[51] Int. Cl. .... **D18-02**

[52] U.S. Cl. .... **D18/13**

[58] Field of Search ..... **D18/11-13, D18/22, 99; D14/111; 400/320; 101/93.15, 93.17, 93.19**

[56] **References Cited**

**U.S. PATENT DOCUMENTS**

3,429,414 2/1969 Bradbury ..... 400/320  
3,819,028 6/1974 Drillick ..... 400/320 X  
4,175,876 11/1979 Hanaoka ..... 400/320 X

**OTHER PUBLICATIONS**

*IBM Technical Disclosure Bulletin*, vol. 22, No. 6, 11/1979, p. 2433-Printer Transport Motion Impedance Protection.

*Primary Examiner*—Louis S. Zarfes  
*Attorney, Agent, or Firm*—Blum, Kaplan, Friedman, Silberman & Beran

[57] **CLAIM**

The ornamental design for a printer for an electronic calculator, as shown.

**DESCRIPTION**

FIG. 1 is a front perspective view of a printer for an electronic calculator in which the cartridge for the ink ribbon is shown in dis-assembled relation embodying my new design;

FIG. 2 is a top plan view thereof with the cartridge shown in assembled relation;

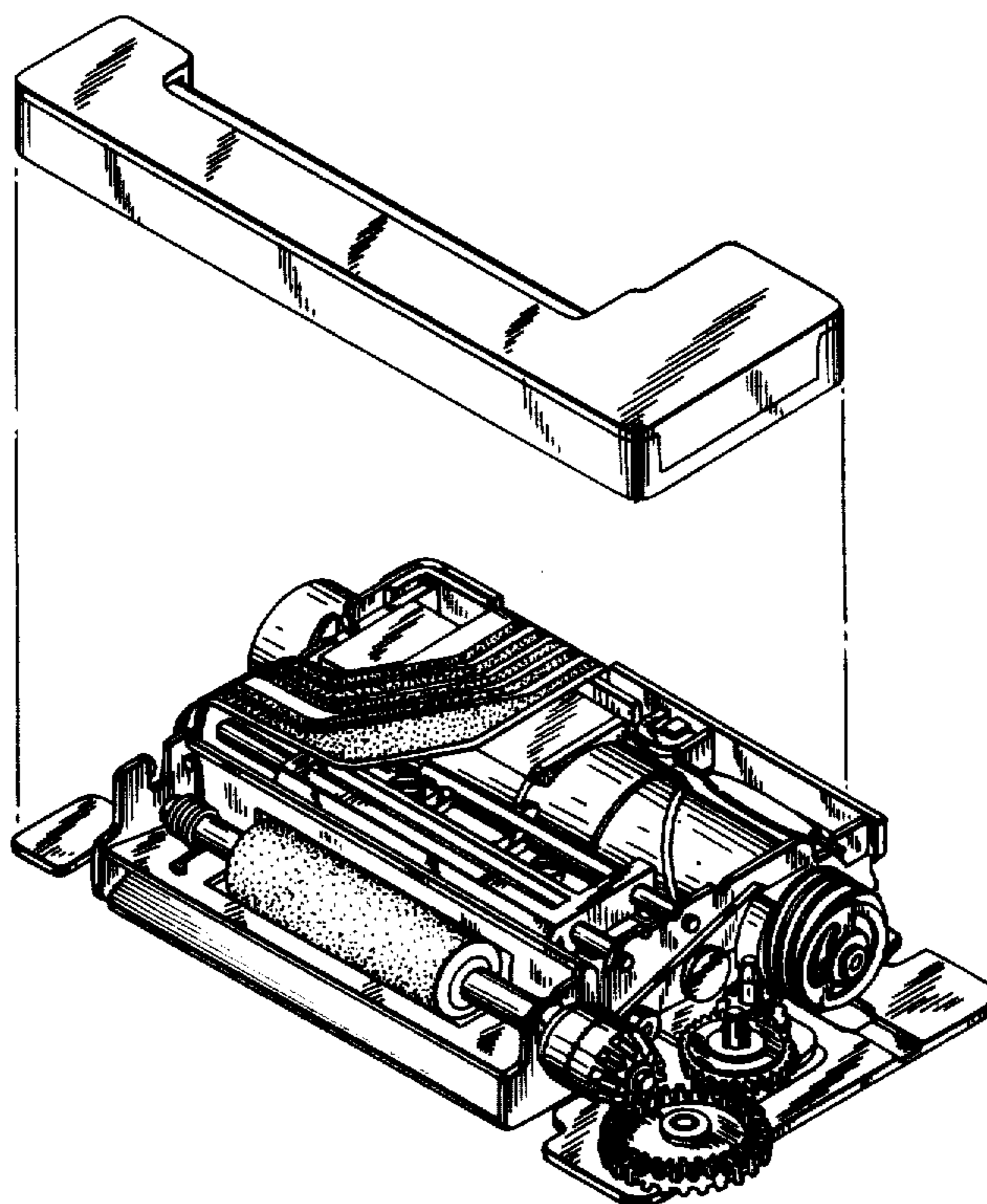
FIG. 3 is a front elevational view thereof;

FIG. 4 is a left side view thereof;

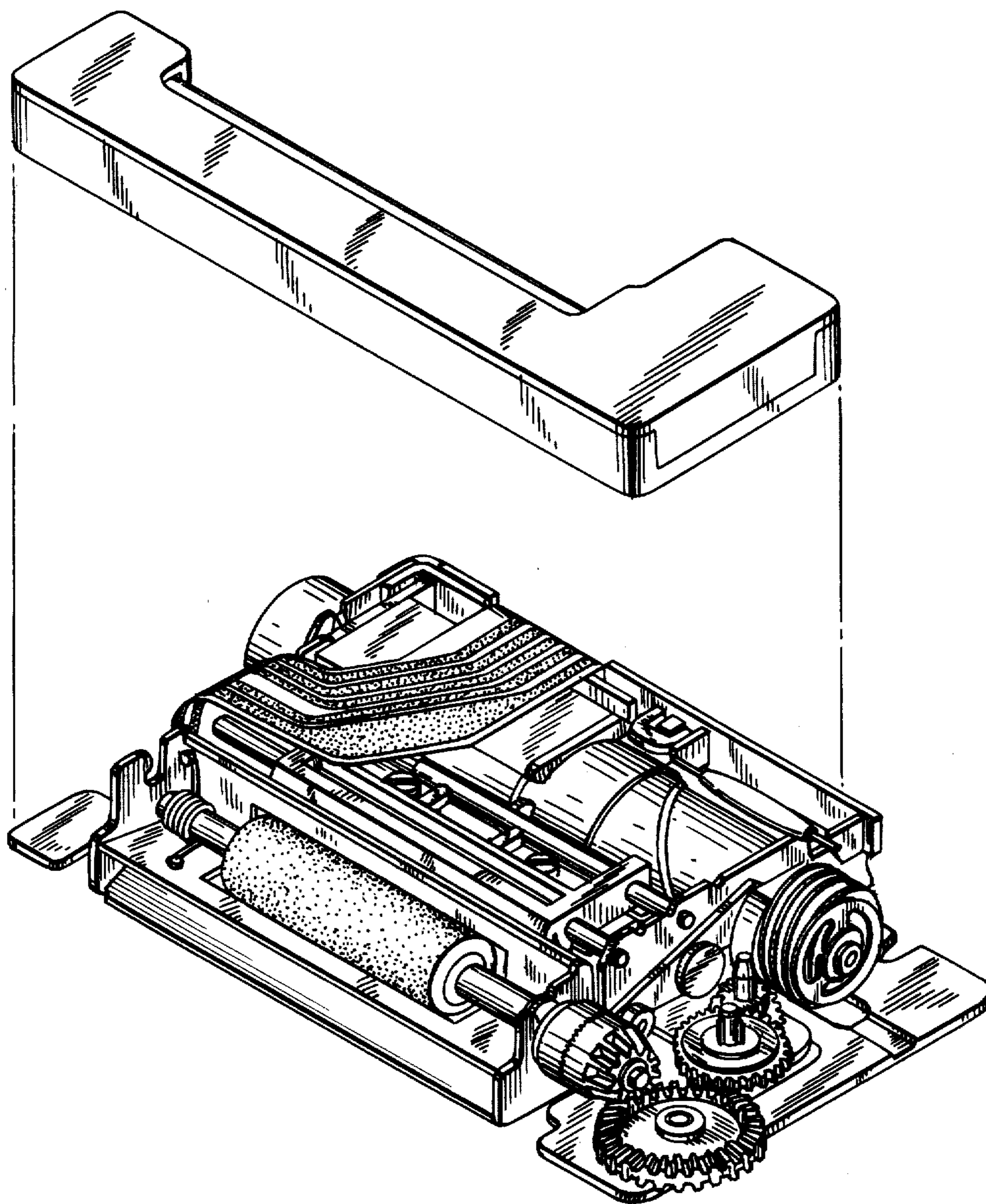
FIG. 5 is a right side view thereof;

FIG. 6 is a rear elevational view thereof; and

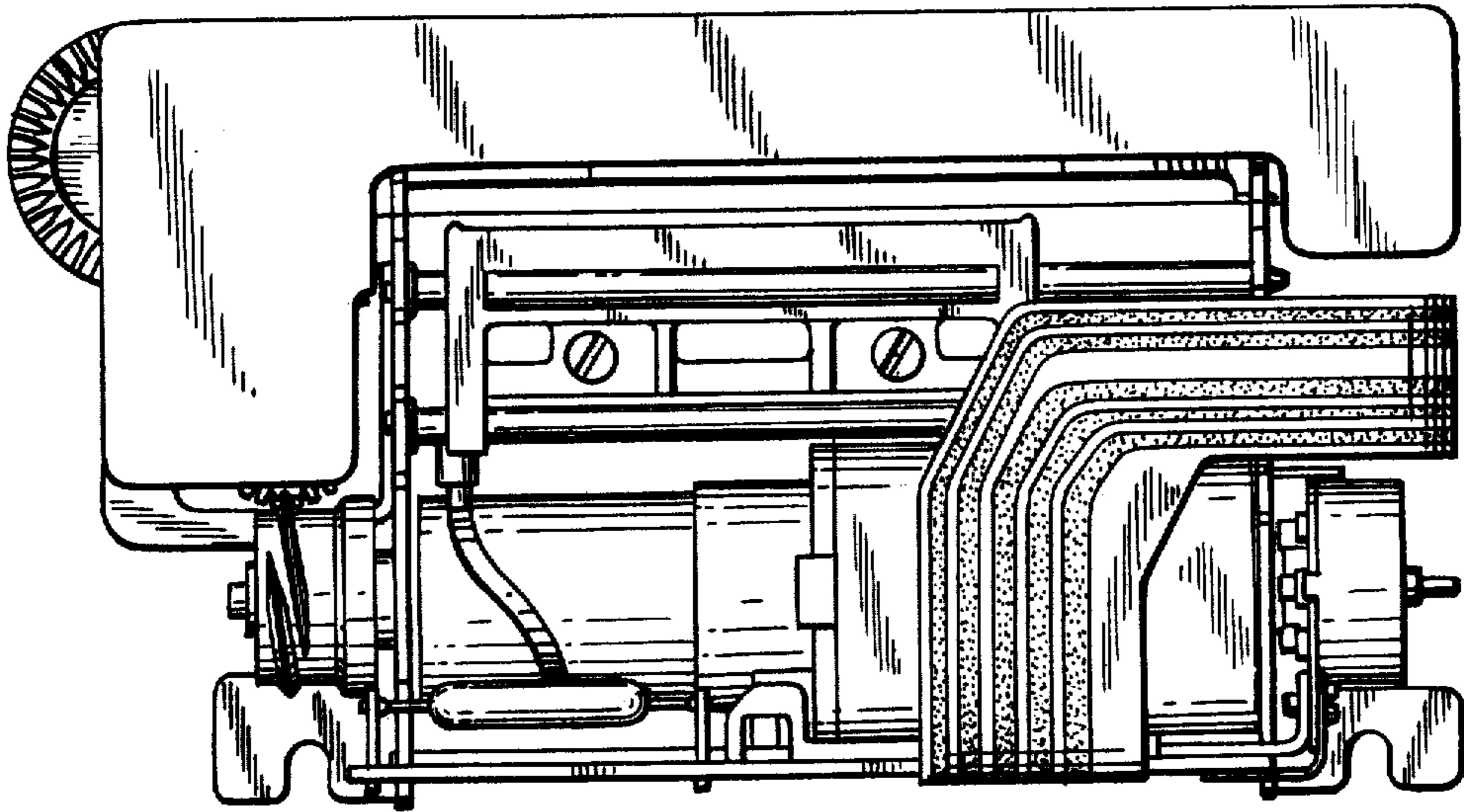
FIG. 7 is a bottom plan view thereof.



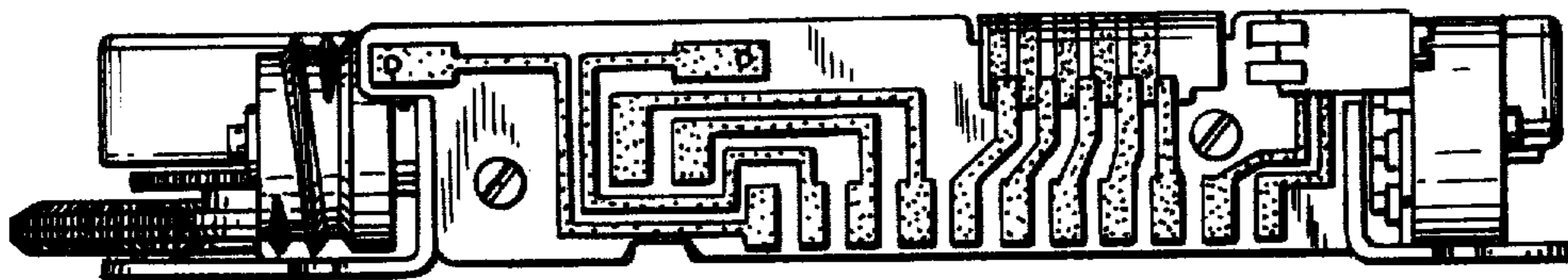
*FIG. 1*



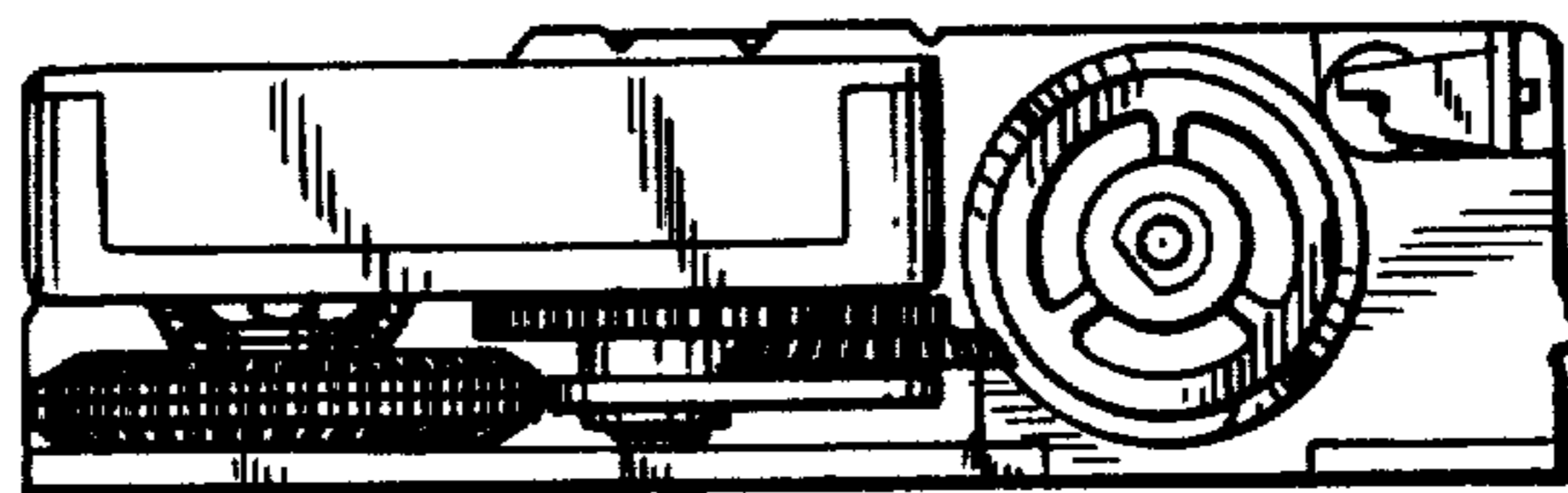
*FIG. 2*



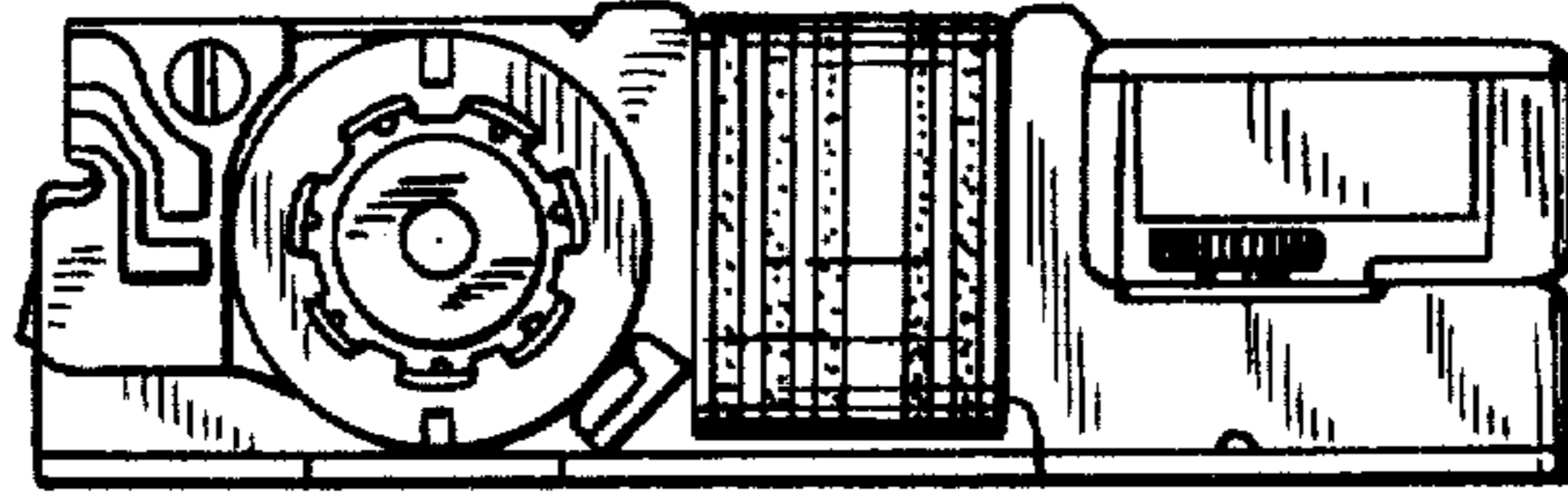
*FIG. 3*



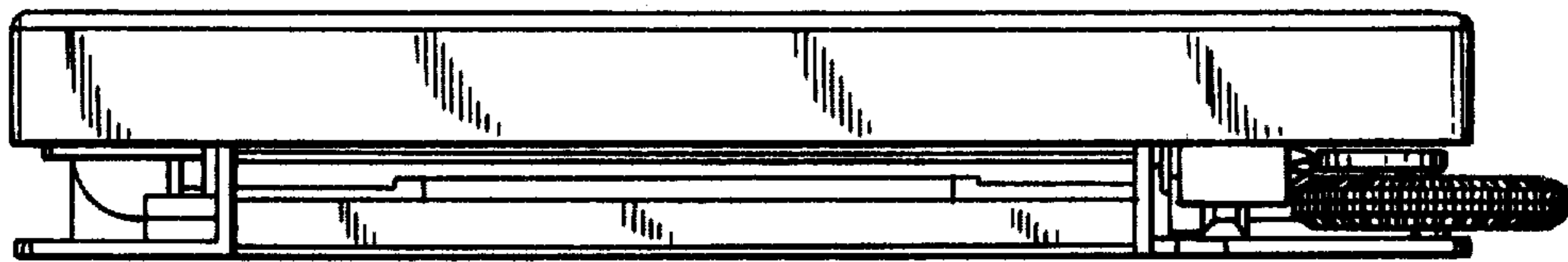
*FIG. 4*



*FIG. 5*



*FIG. 6*



*FIG. 7*

