

[54] **COMBINED JOINTER AND PLANER**

[75] **Inventor: Thomas G. Glore, Easley, S.C.**

[73] **Assignee: The Singer Company, Stamford, Conn.**

[**] **Term: 14 Years**

[21] **Appl. No.: 209,819**

[22] **Filed: Nov. 24, 1980**

[51] **Int. Cl. D15—09**

[52] **U.S. Cl. D15/127**

[58] **Field of Search D15/127, 122, 199, 129;
144/36, 114 R**

[56] **References Cited**

U.S. PATENT DOCUMENTS

D. 156,645	12/1949	Marisseau et al.	D15/127
D. 156,923	1/1950	Stevens	D15/127
D. 246,846	1/1978	Dahlin et al.	D15/127
2,780,251	2/1957	Williams	144/36
2,873,776	2/1959	Buttke	144/114

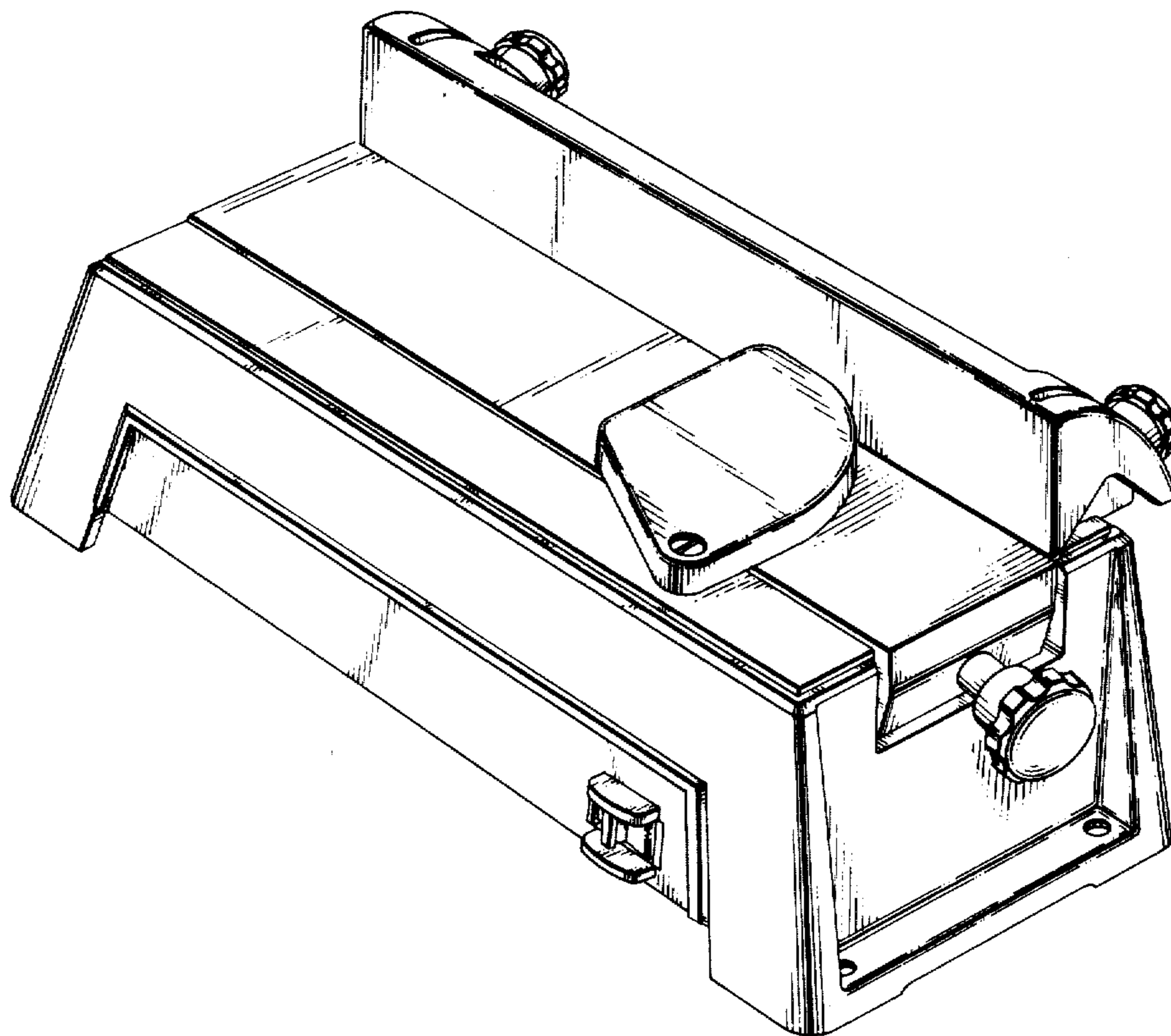
Primary Examiner—B. J. Bullock
Attorney, Agent, or Firm—Robert E. Smith; Edward L. Bell

[57] **CLAIM**

The ornamental design for a combined jointer and planer, substantially as shown and described.

DESCRIPTION

FIG. 1 is a front isometric view of the combined jointer and planer showing my new design;
FIG. 2 is a rear isometric view thereof, the bottom being unornamented.



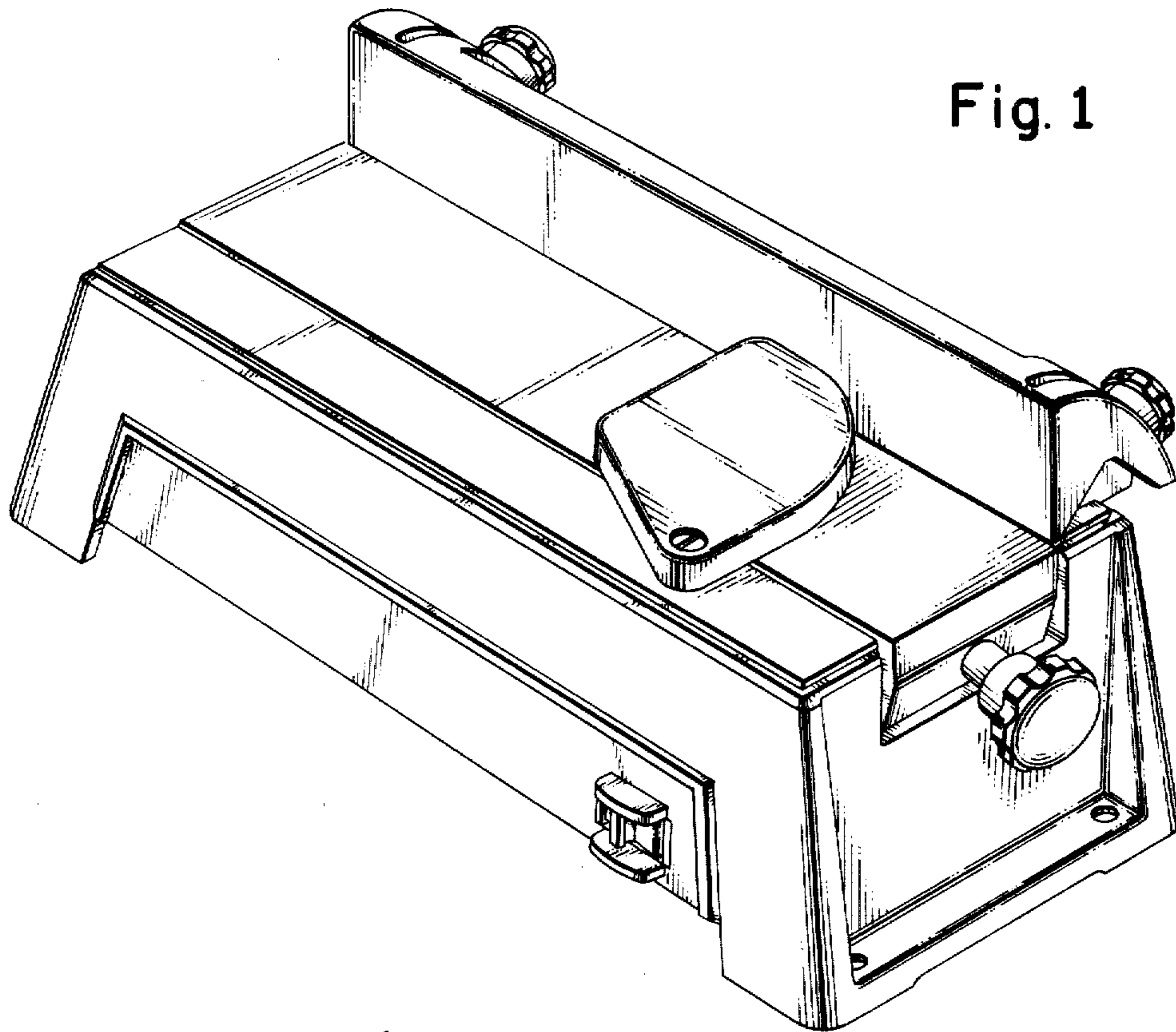


Fig. 1

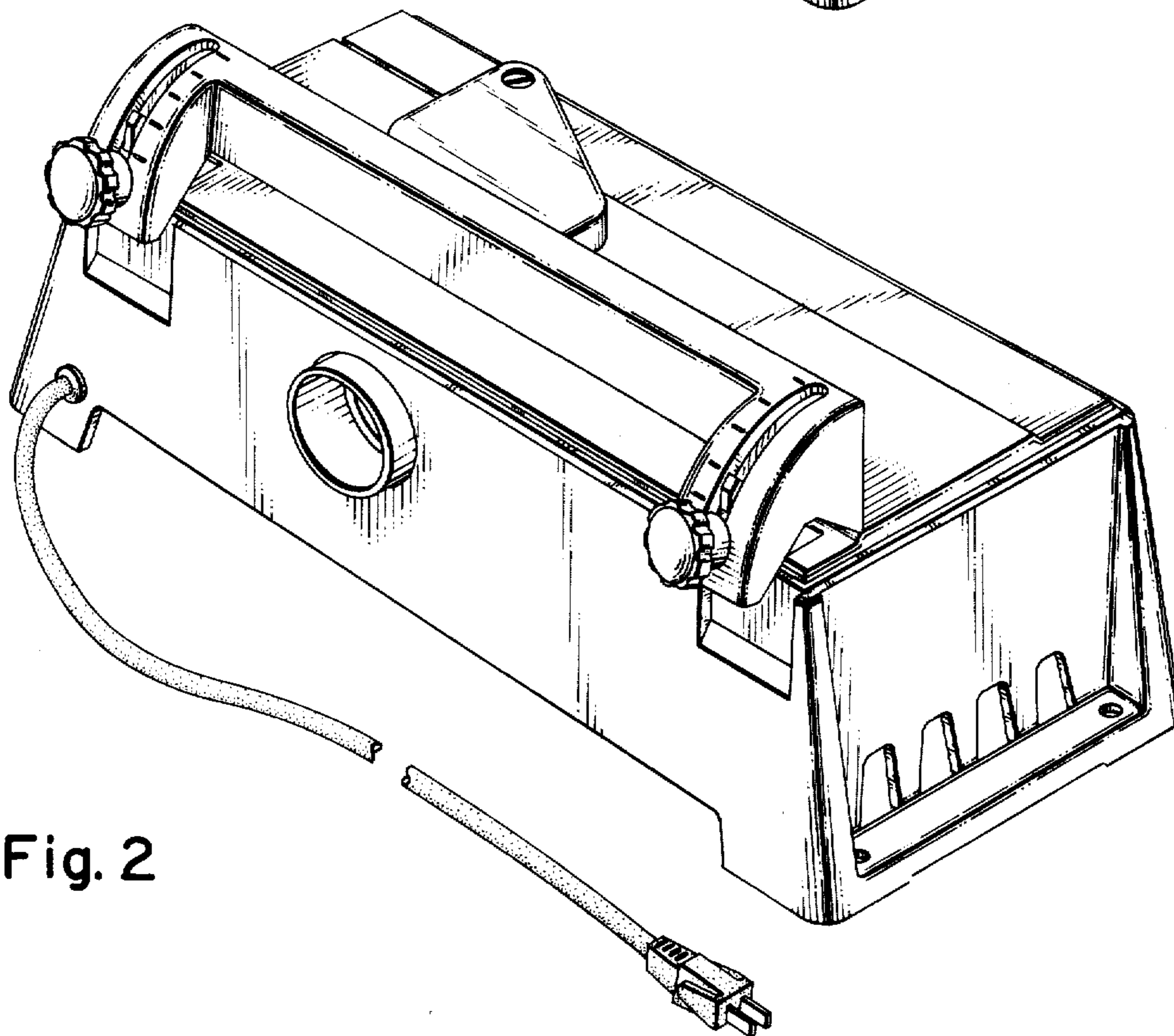


Fig. 2