

[54] **TIRE**

[75] **Inventors:** Claude A. Hart; Edward P. Davis,  
both of Sutton Coldfield, England

[73] **Assignee:** Dunlop Limited, London, England

[\*\*] **Term:** 14 Years

[21] **Appl. No.:** 189,567

[22] **Filed:** Sep. 23, 1980

[30] **Foreign Application Priority Data**  
Apr. 11, 1980 [GB] United Kingdom ..... 80/994444

[51] **Int. Cl.** ..... D12-15

[52] **U.S. Cl.** ..... D12/151; D12/137

[58] **Field of Search** ..... D12/134, 136, 141-143,  
D12/145-151, 137; 152/209 R, 209 NT, 209  
WT, 209 D

[56] **References Cited**  
**U.S. PATENT DOCUMENTS**  
D. 239,273 3/1976 Senger ..... D12/151

D. 253,646 12/1979 Peron ..... D12/151

**OTHER PUBLICATIONS**

1979 Tread Design Guide, p. 13, General Belted Grip-  
per 780 tire, second row up from bottom at right side of  
page.

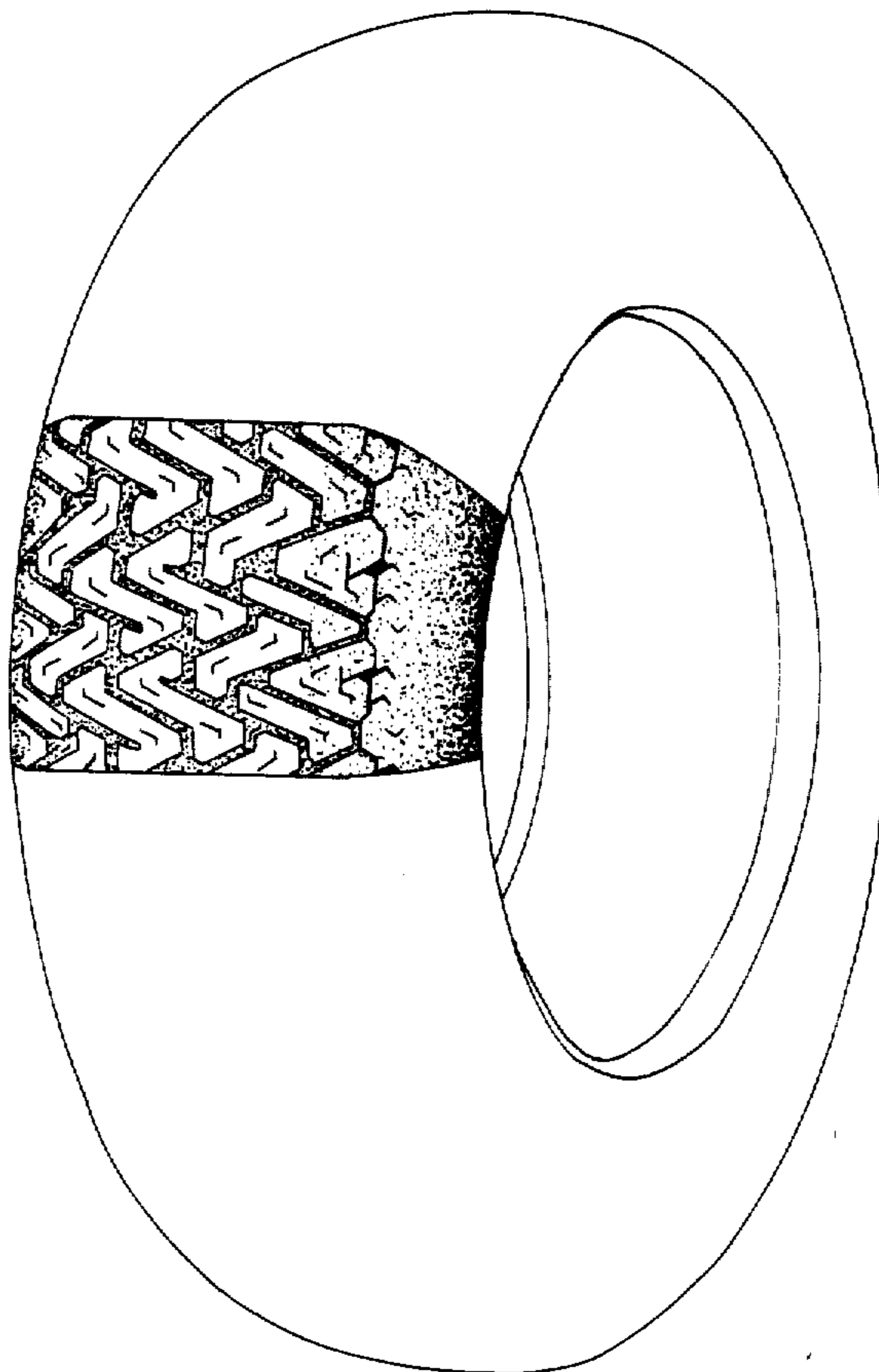
*Primary Examiner*—James M. Gandy  
*Attorney, Agent, or Firm*—Stevens, Davis, Miller &  
Mosher

[57] **CLAIM**

The ornamental design for a tire, as shown and de-  
scribed.

**DESCRIPTION**

FIG. 1 is a perspective view of a tire showing our new  
design, it being understood that the tread design is re-  
peated throughout the circumference of the tire as  
shown schematically by solid lines, the opposite side  
being substantially the same as that shown;  
FIG. 2 is a side elevational view thereof; and  
FIG. 3 is a plan view thereof.



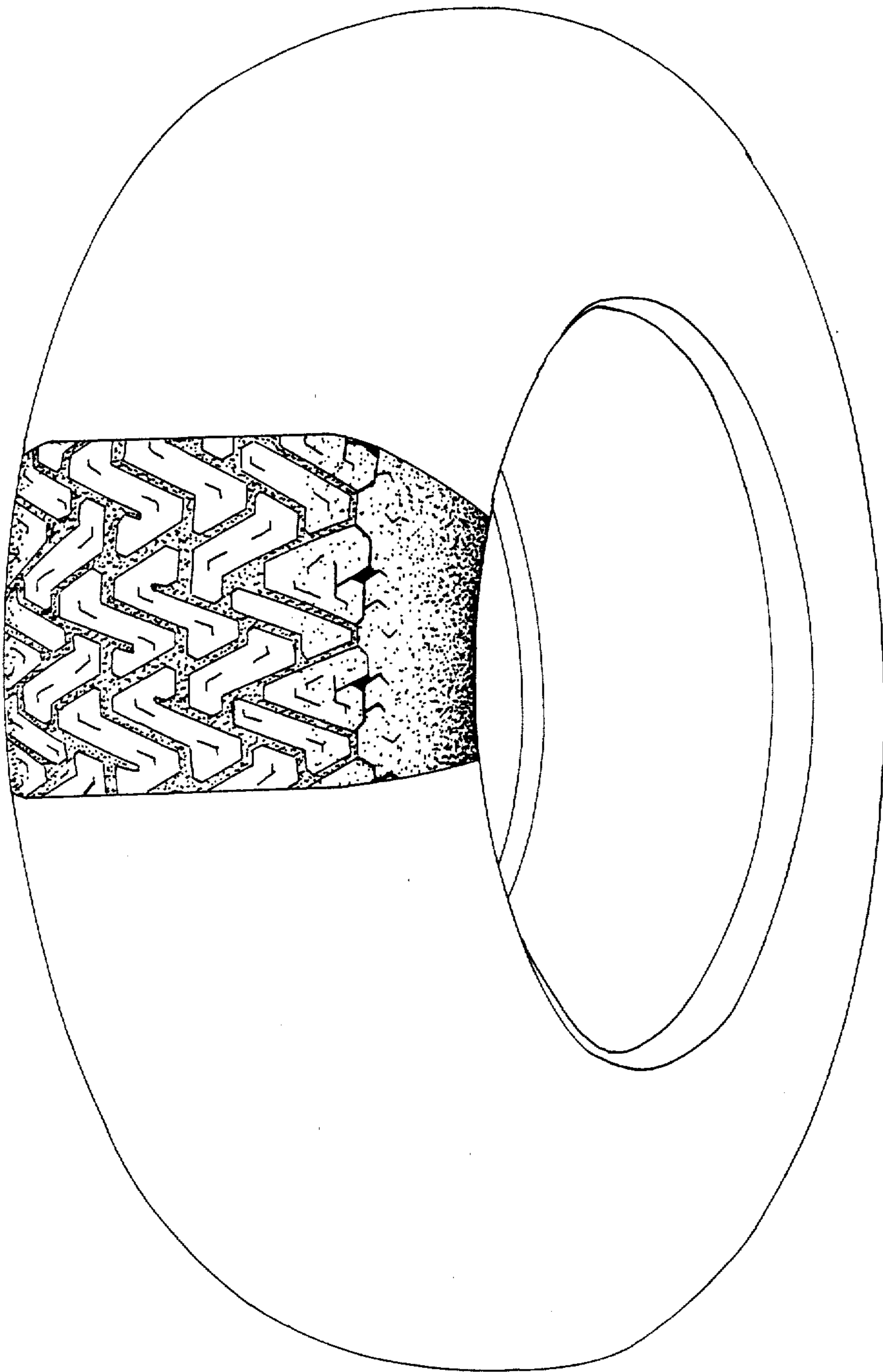


FIG 1

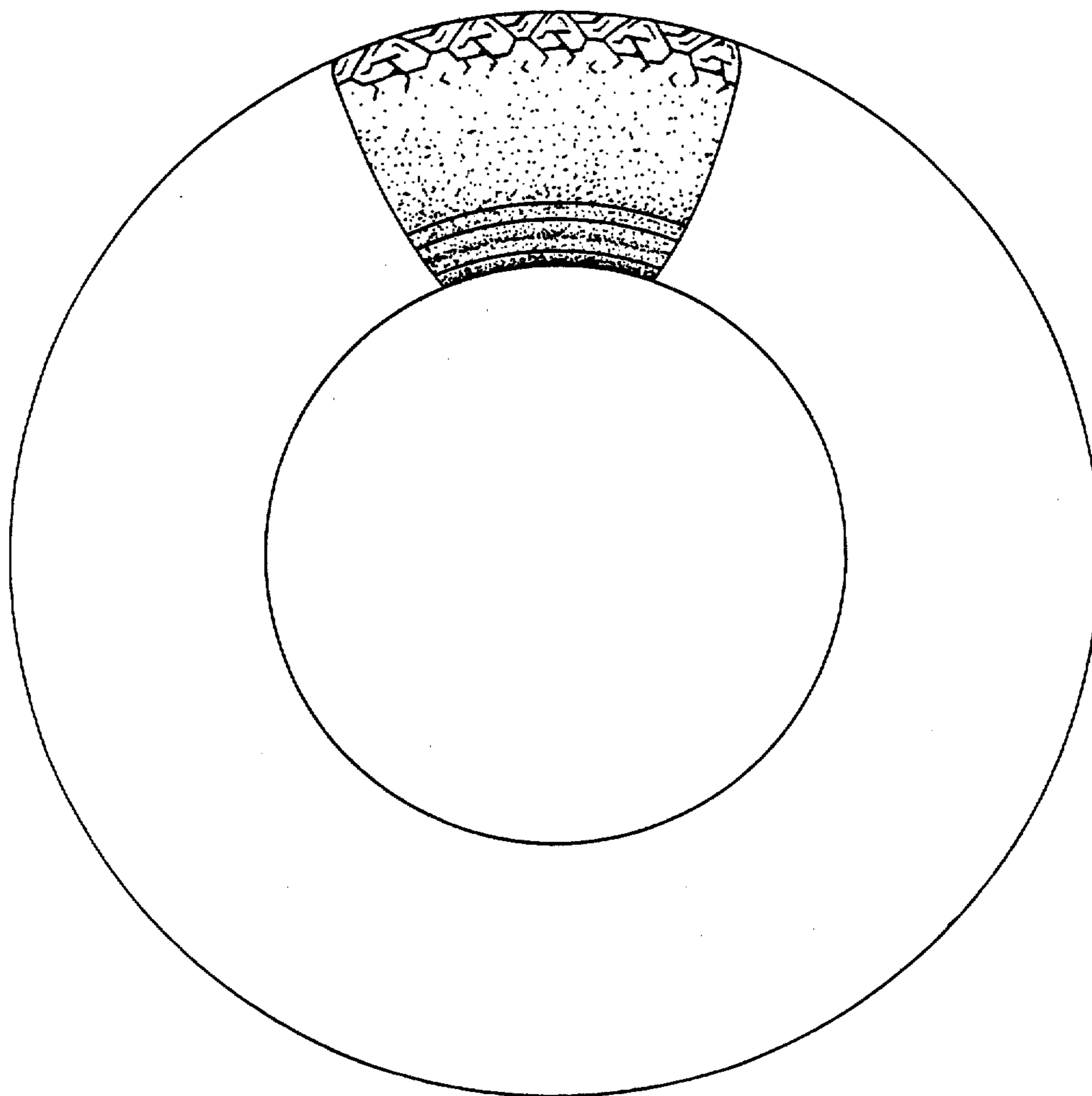


FIG 2

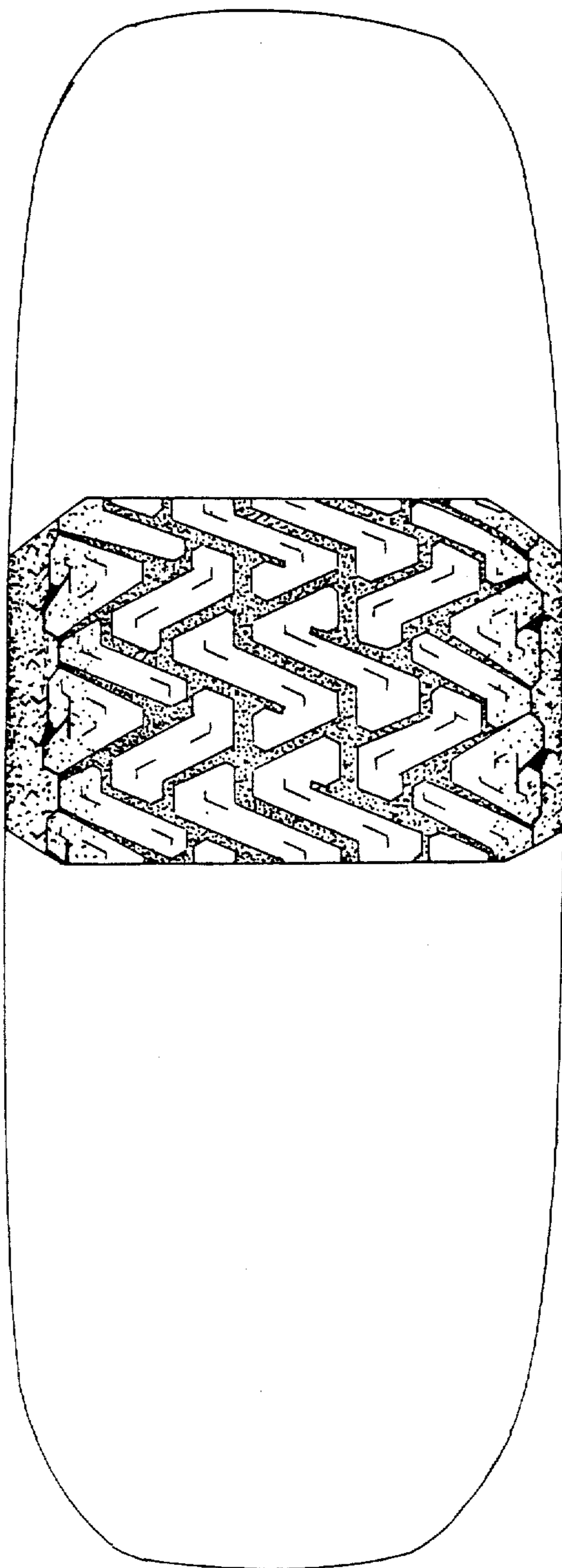


FIG 3