

[54] **SANITARY SHIELD FOR A BOTTLE OR THE LIKE**

[76] Inventor: **Donald B. Mitchell**, 515 W. Highland, Phoenix, Ariz. 85013

[**] Term: **14 Years**

[21] Appl. No.: **196,185**

[22] Filed: **Oct. 14, 1980**

[51] Int. Cl. **D9-07**

[52] U.S. Cl. **D9/444**

[58] Field of Search **D9/435, 434, 444, 445, D9/499, 454, 352, 453; D7/39, 40; 215/1 R, 200, 224, 316, 100 R**

[56] **References Cited**

U.S. PATENT DOCUMENTS

- D. 160,635 10/1950 Lawlor D9/444
- D. 192,456 3/1962 Neupert D9/453 X

- D. 209,104 10/1967 Harris et al. D9/453
- D. 212,871 12/1968 Anderson D9/453 X
- 3,185,341 5/1965 Barbour D7/39 X
- 3,438,533 4/1969 Hanisch et al. D9/445 X

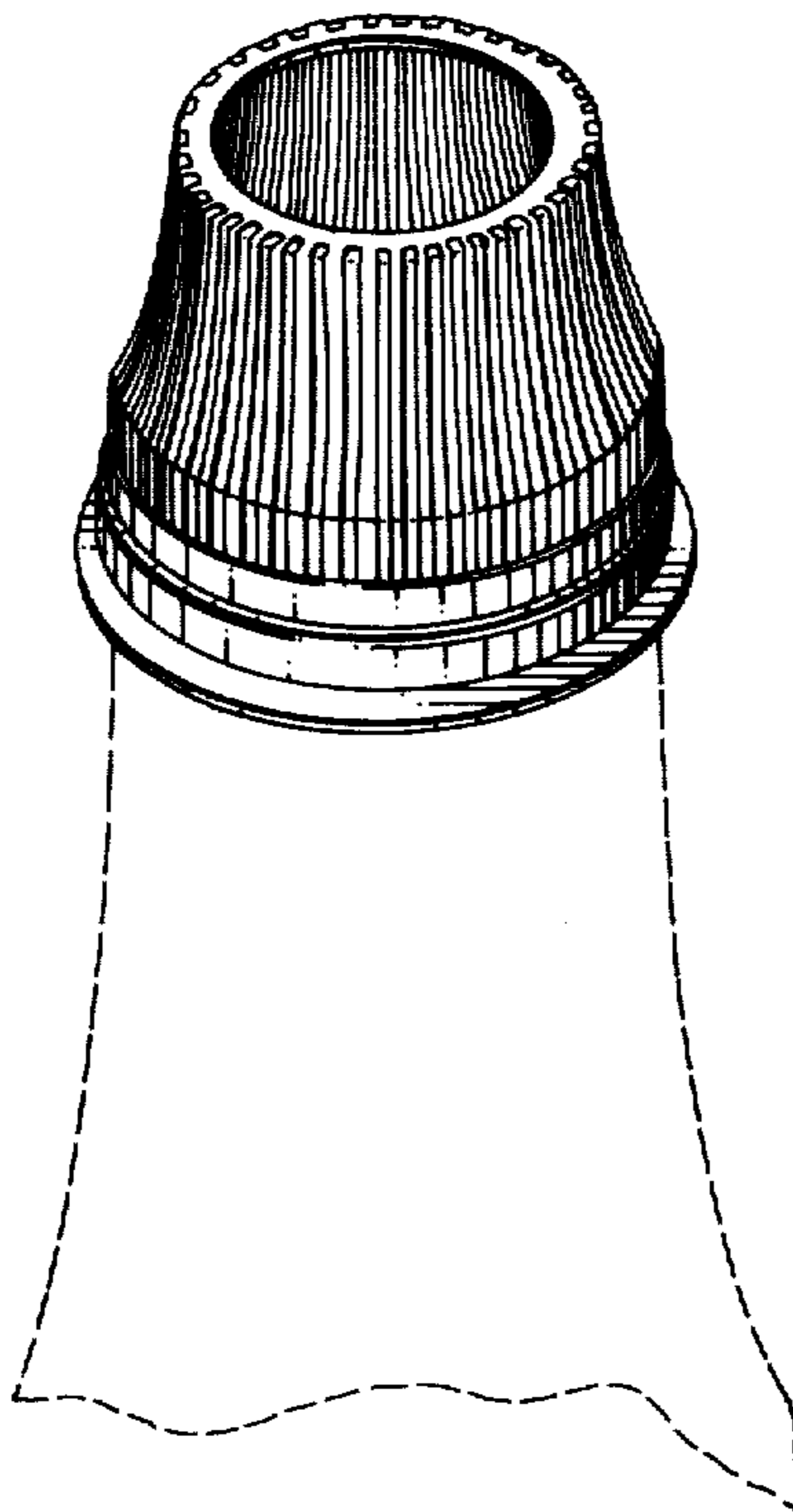
Primary Examiner—Robert C. Spangler
Attorney, Agent, or Firm—Warren F. B. Lindsley

[57] **CLAIM**

The ornamental design for a sanitary shield for a bottle or the like, as shown and described.

DESCRIPTION

FIG. 1 is a perspective view of a sanitary shield for a bottle or the like showing my new design, a portion of a bottle being shown in broken lines for illustrative purposes only;
FIG. 2 is a top plan view;
FIG. 3 is a bottom plan view; and
FIG. 4 is an elevational view showing the side opposite that seen in FIG. 1.



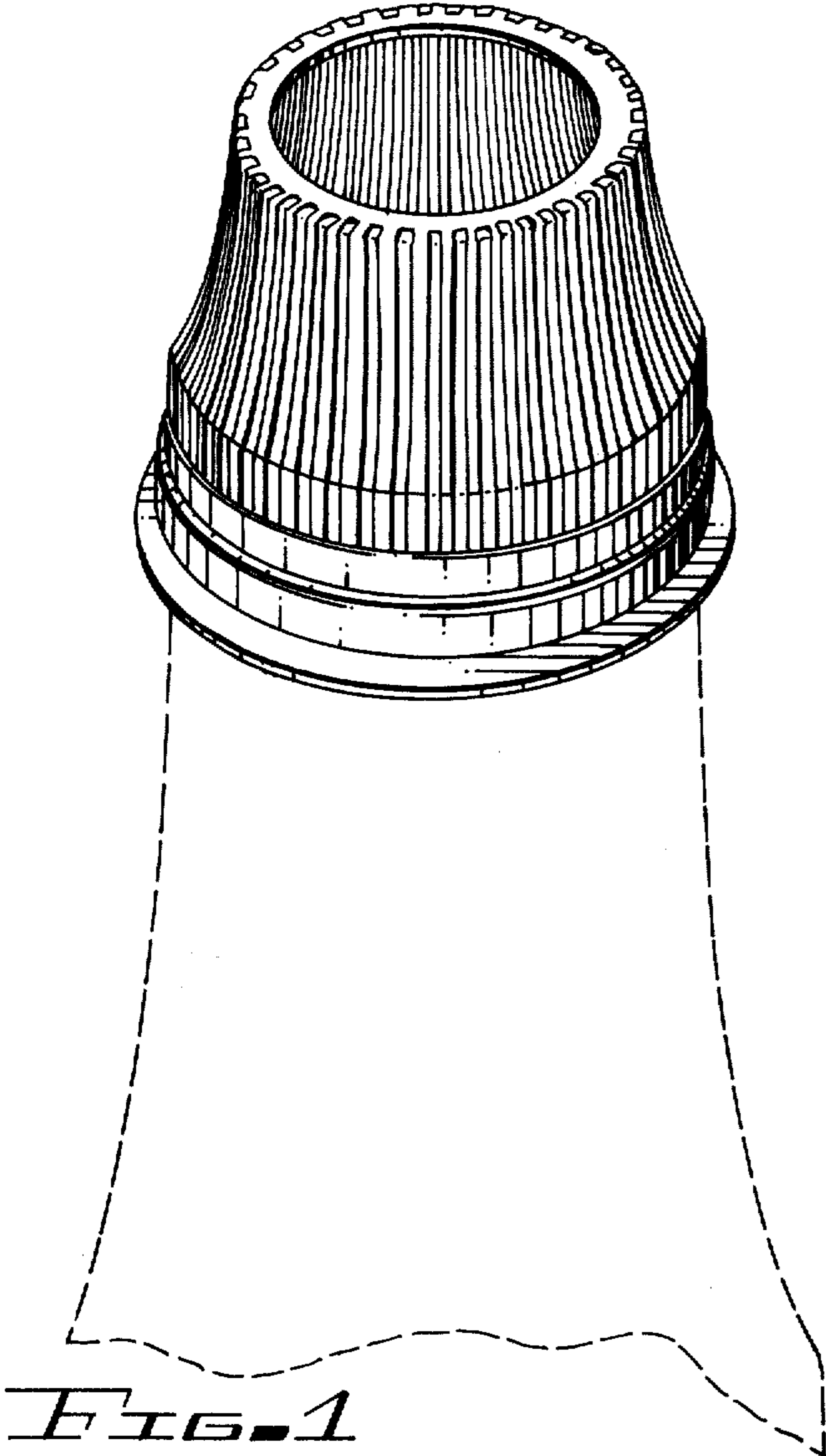


FIG. 1

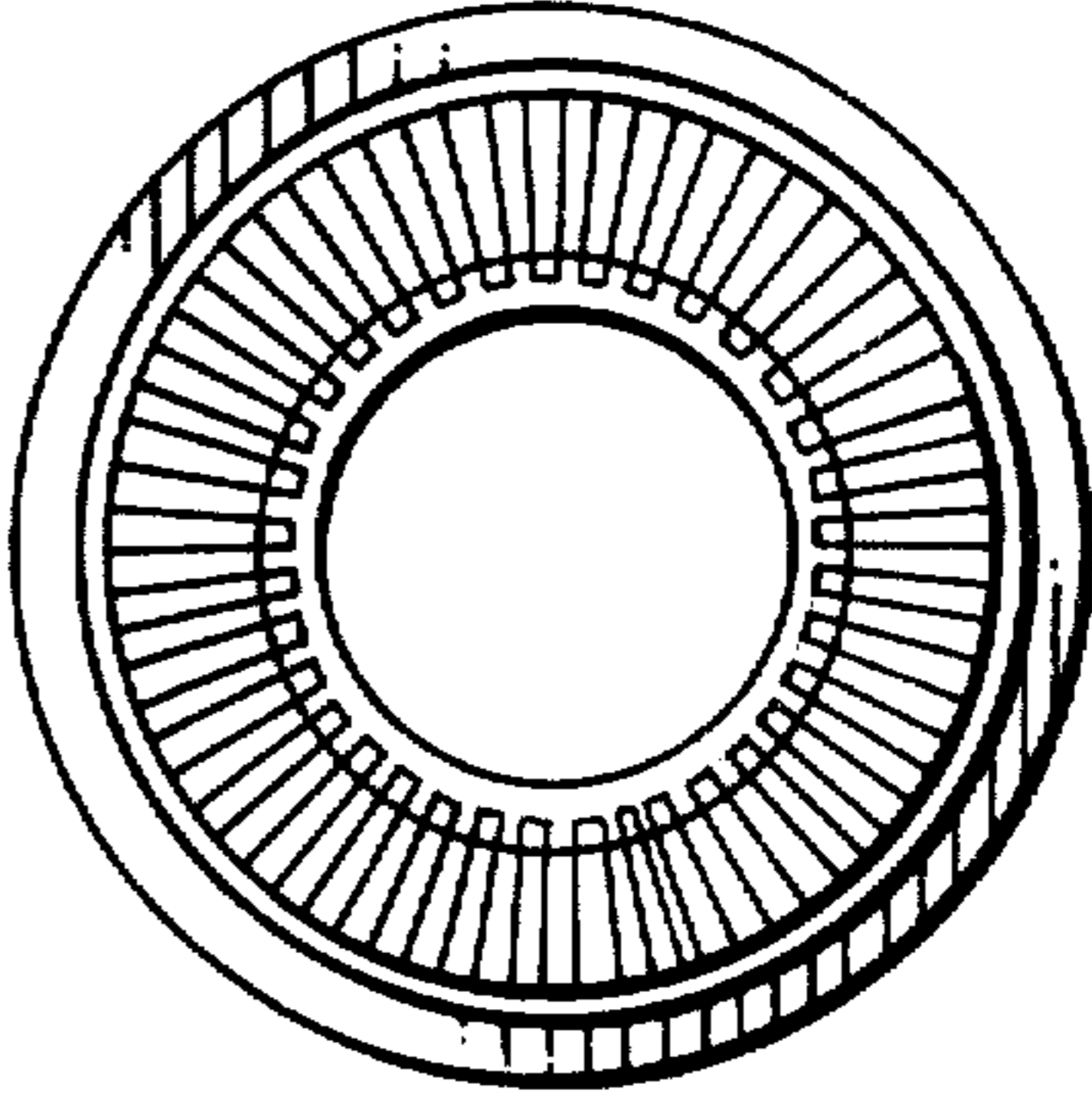


FIG. 2

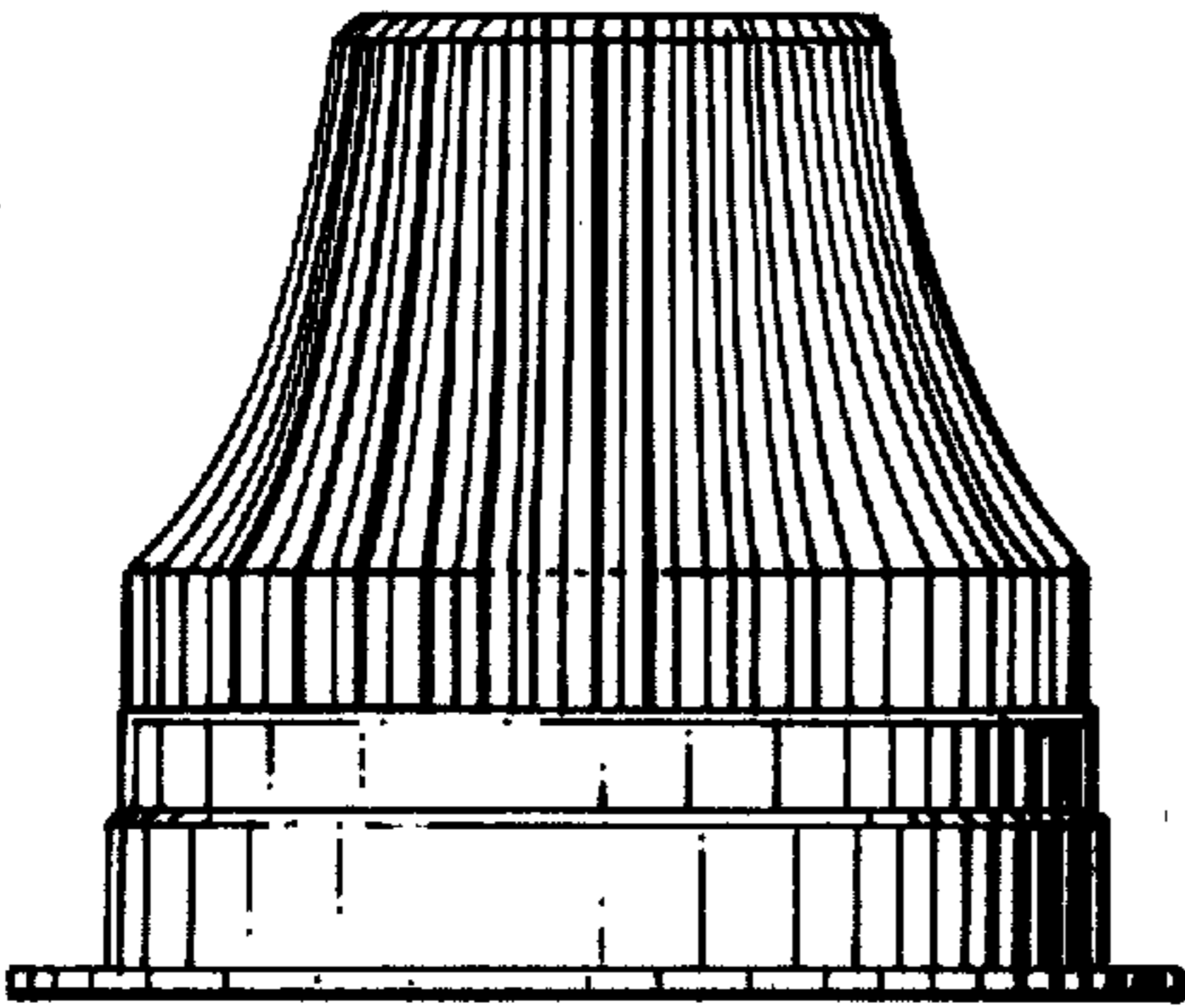


FIG. 4

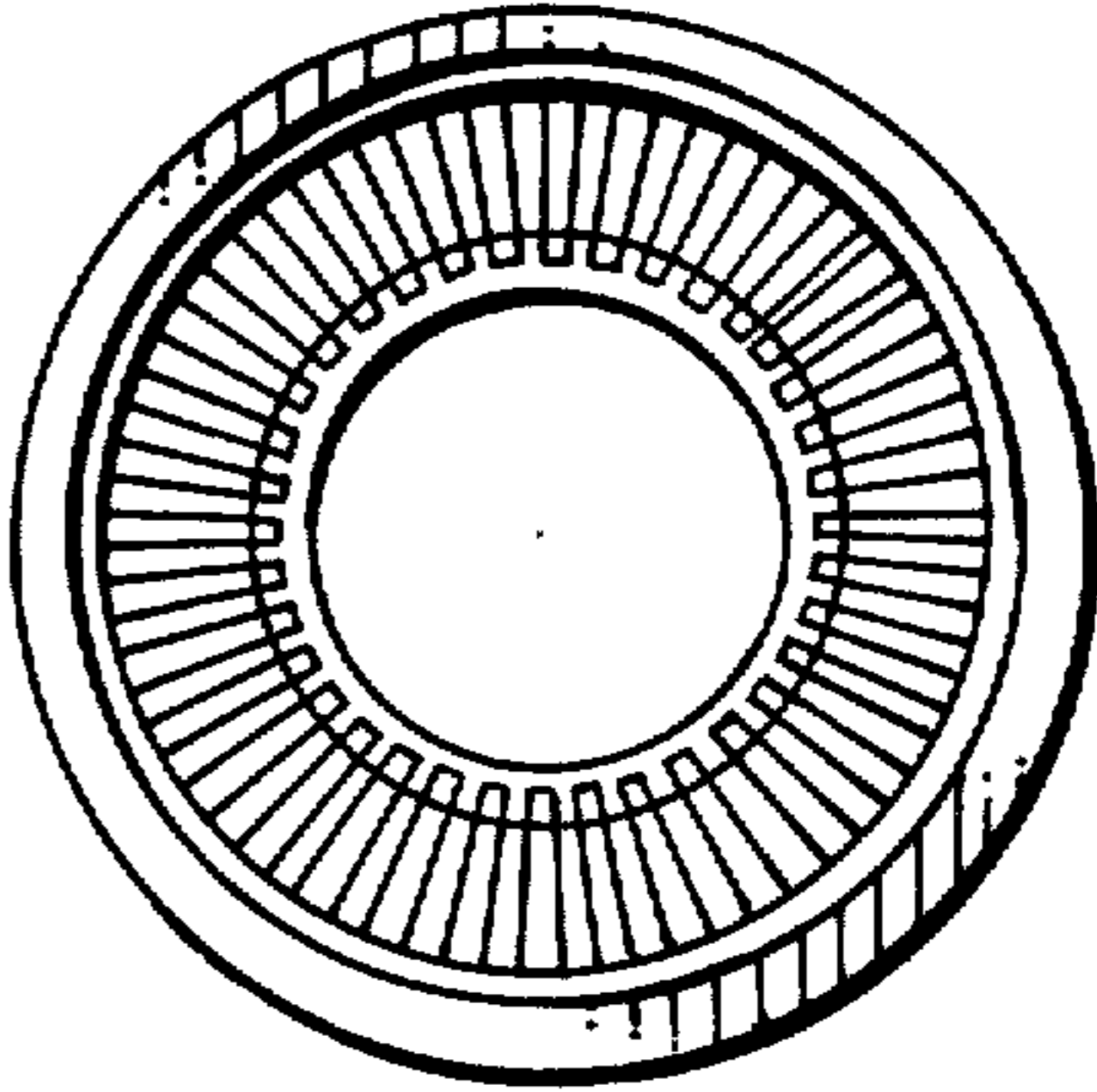


FIG. 3