

[54] PACKAGING CONTAINER

[76] Inventors: Van D. Groenewold, 1143 W. Townley, Phoenix, Ariz. 85021; Hubert E. Christian, 4019 E. Fairmount, Phoenix, Ariz. 85018; James P. Schwartz, 13435 N. Canterbury, Phoenix, Ariz. 85023

[**] Term: 14 Years

[21] Appl. No.: 82,380

[22] Filed: Oct. 5, 1979

[51] Int. Cl. D9-03

[52] U.S. Cl. D9/425; D9/431

[58] Field of Search D9/429, 431, 432, 425; 220/23.6; D7/16, 23, 6, 37, 38, 76; 229/1.5 B, 2.5, 4.5, 3.5; D99/44-50; 206/499, 503, 505, 515, 518, 557

[56] References Cited

U.S. PATENT DOCUMENTS

D. 195,005	4/1963	Eicholtz	D9/429
D. 211,682	7/1968	Eicholtz et al.	D9/425
D. 229,329	11/1973	Jansen	D9/425 X
D. 246,288	11/1977	Boucher	D9/425
D. 249,237	9/1978	Limon	D9/429 X
2,767,755	10/1956	Hill	206/518 X
3,141,913	7/1964	Edwards	229/1.5 B
3,679,119	7/1972	Copping	D7/6 X
3,971,471	7/1976	Ludder	229/1.5 B

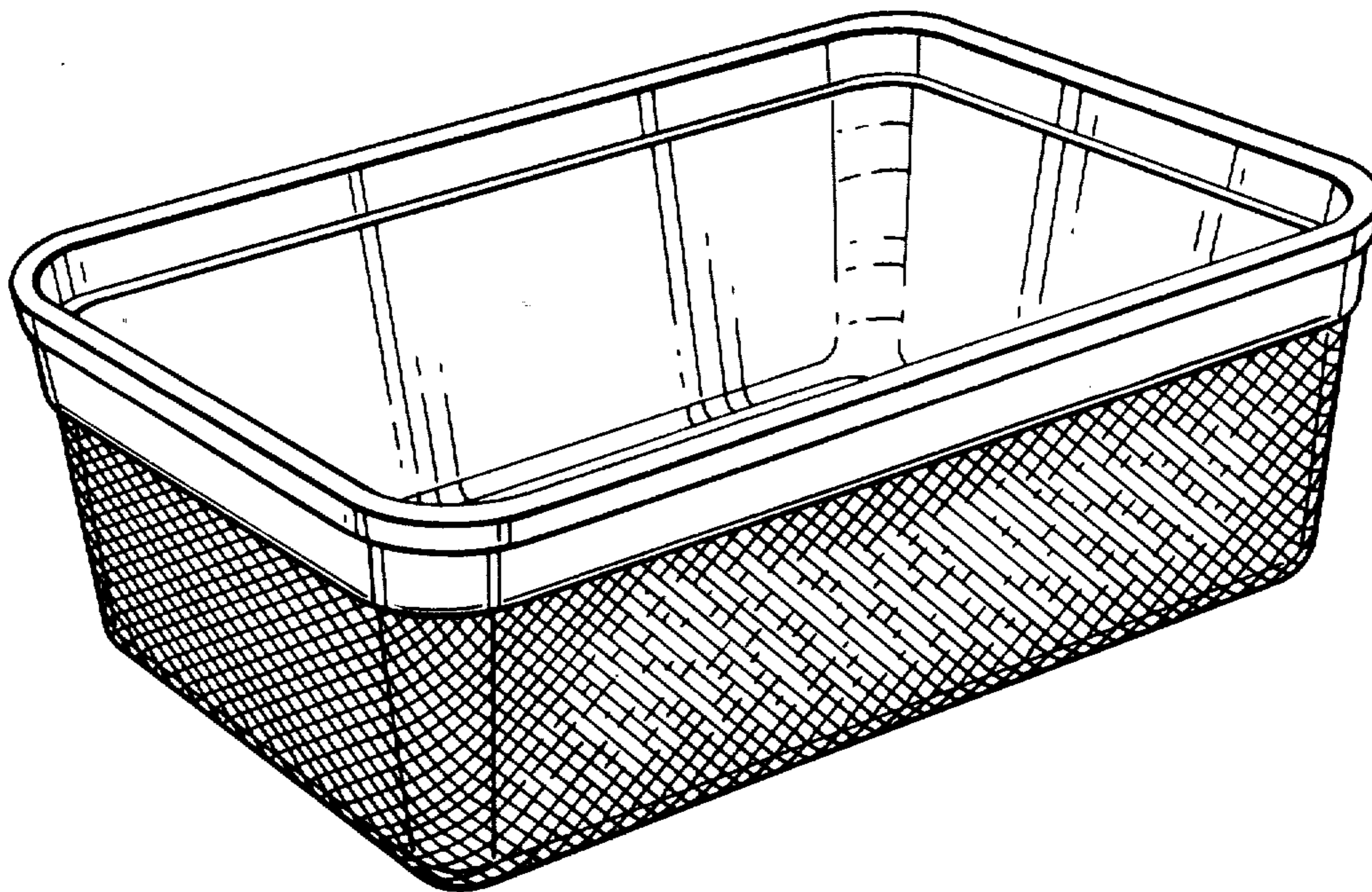
Primary Examiner—Robert C. Spangler

[57] CLAIM

The ornamental design for a packaging container, substantially as shown.

DESCRIPTION

FIG. 1 is a perspective view of a packaging container showing our new design; FIG. 2 is an end elevation view thereof; FIG. 3 is a side elevation view thereof; FIG. 4 is a bottom view thereof; FIG. 5 is a top plan view thereof; and FIG. 6 is a view in cross-section taken on line 6-6 of FIG. 5.



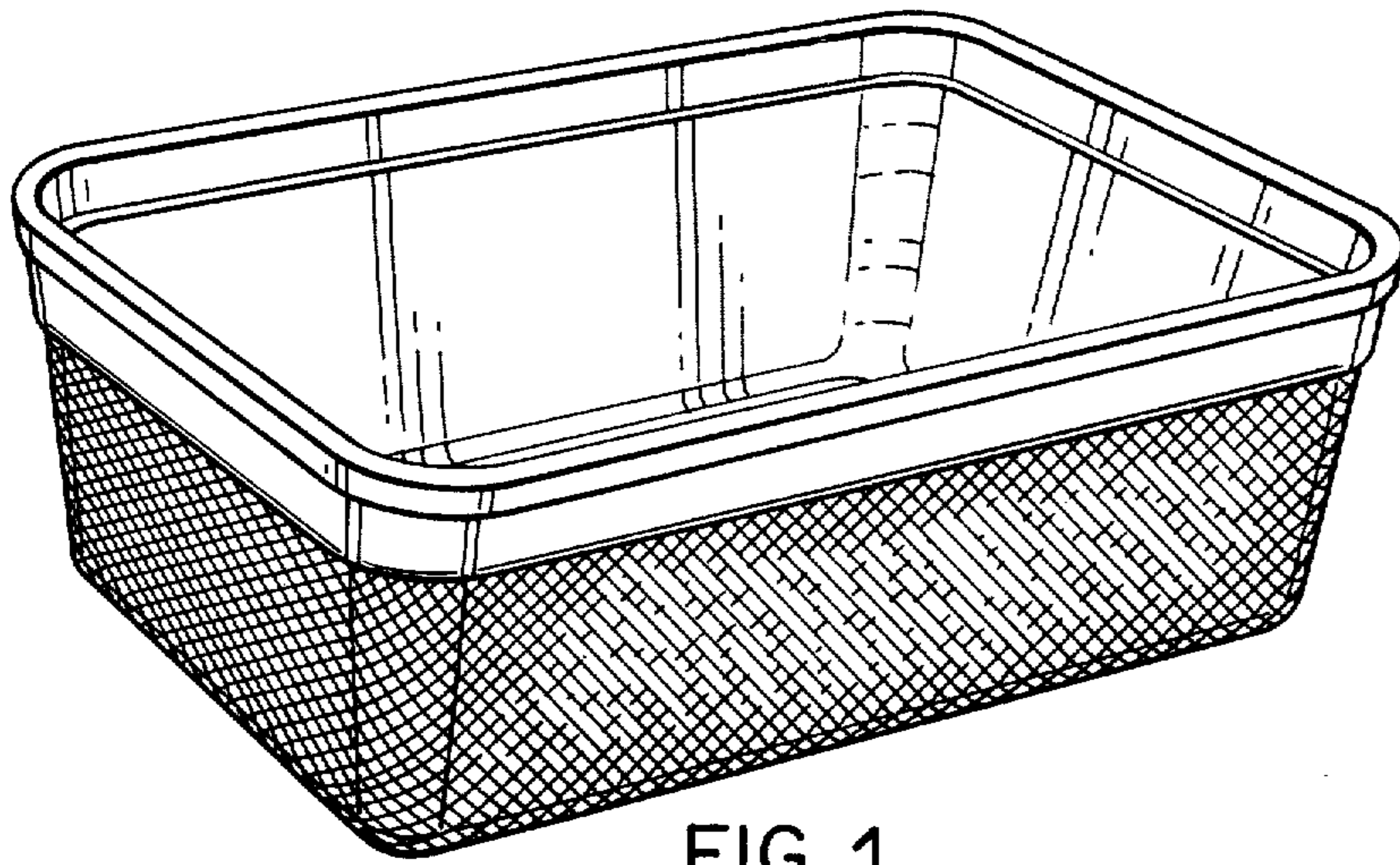


FIG. 1

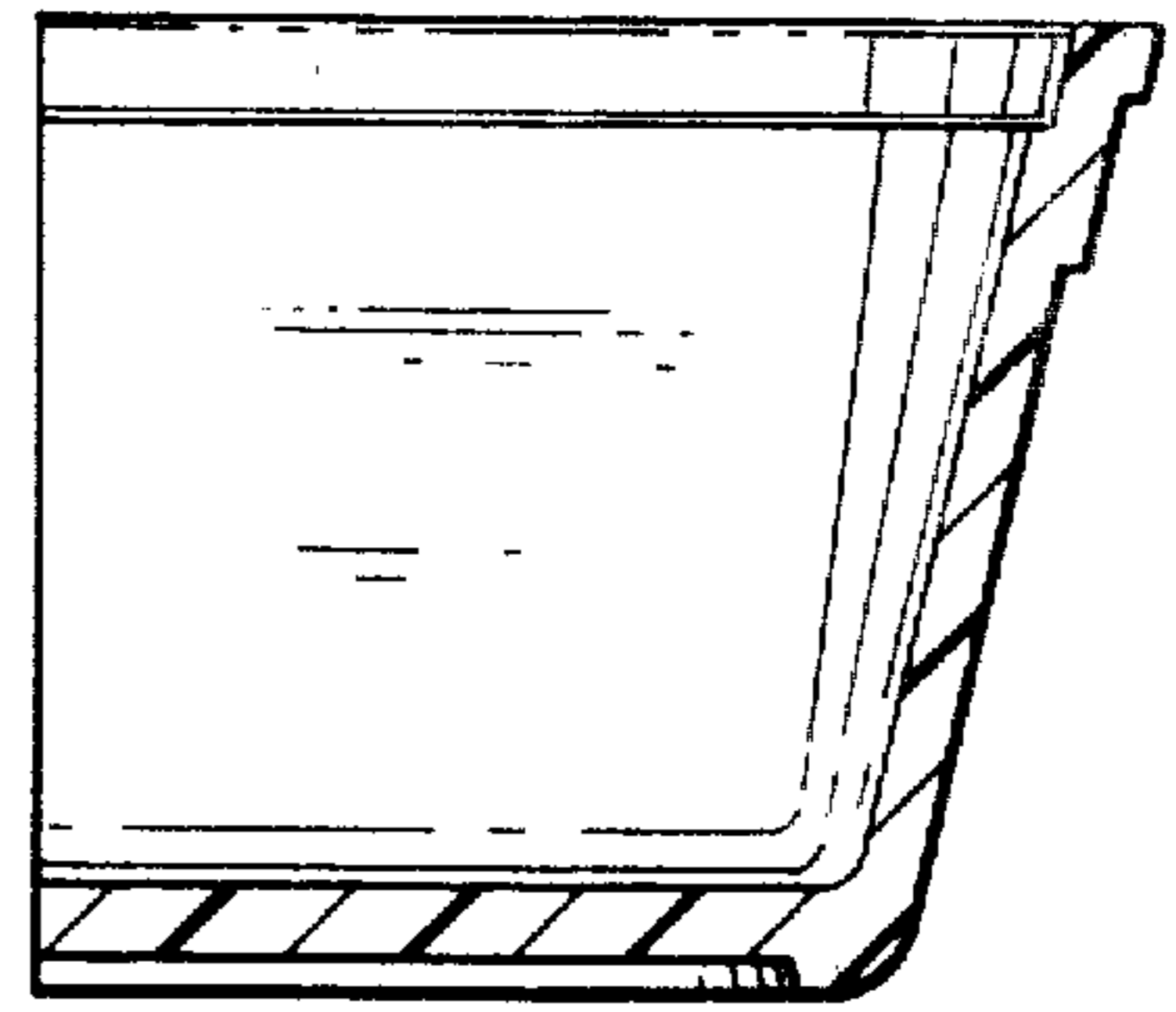


FIG. 6

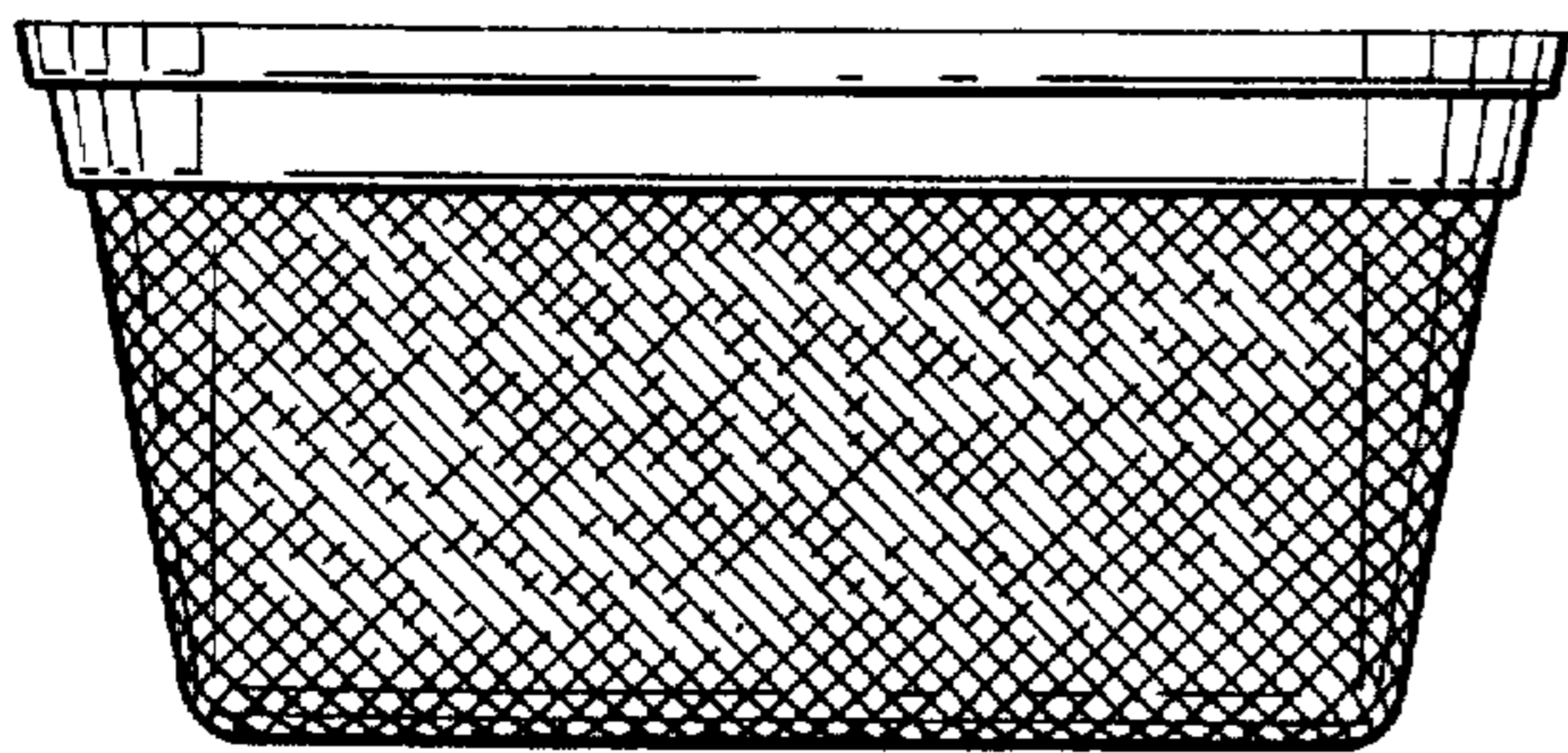


FIG. 2

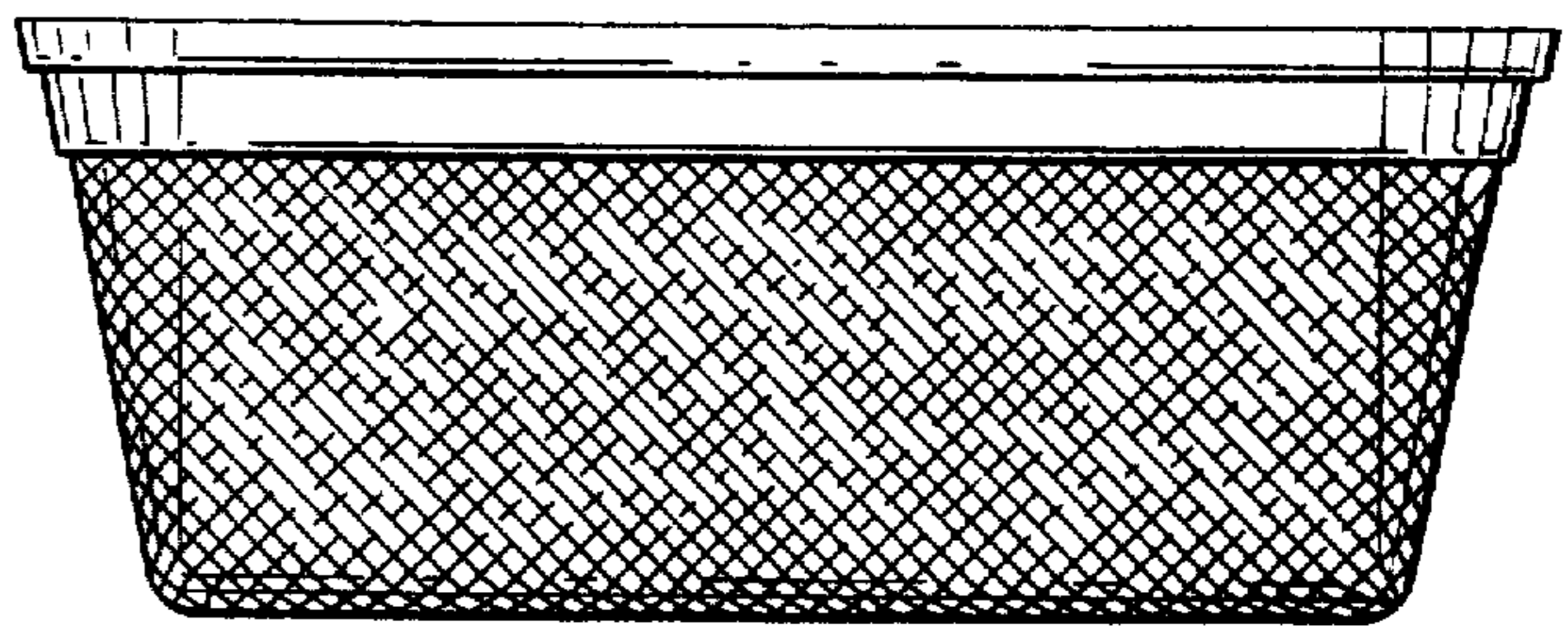


FIG. 3

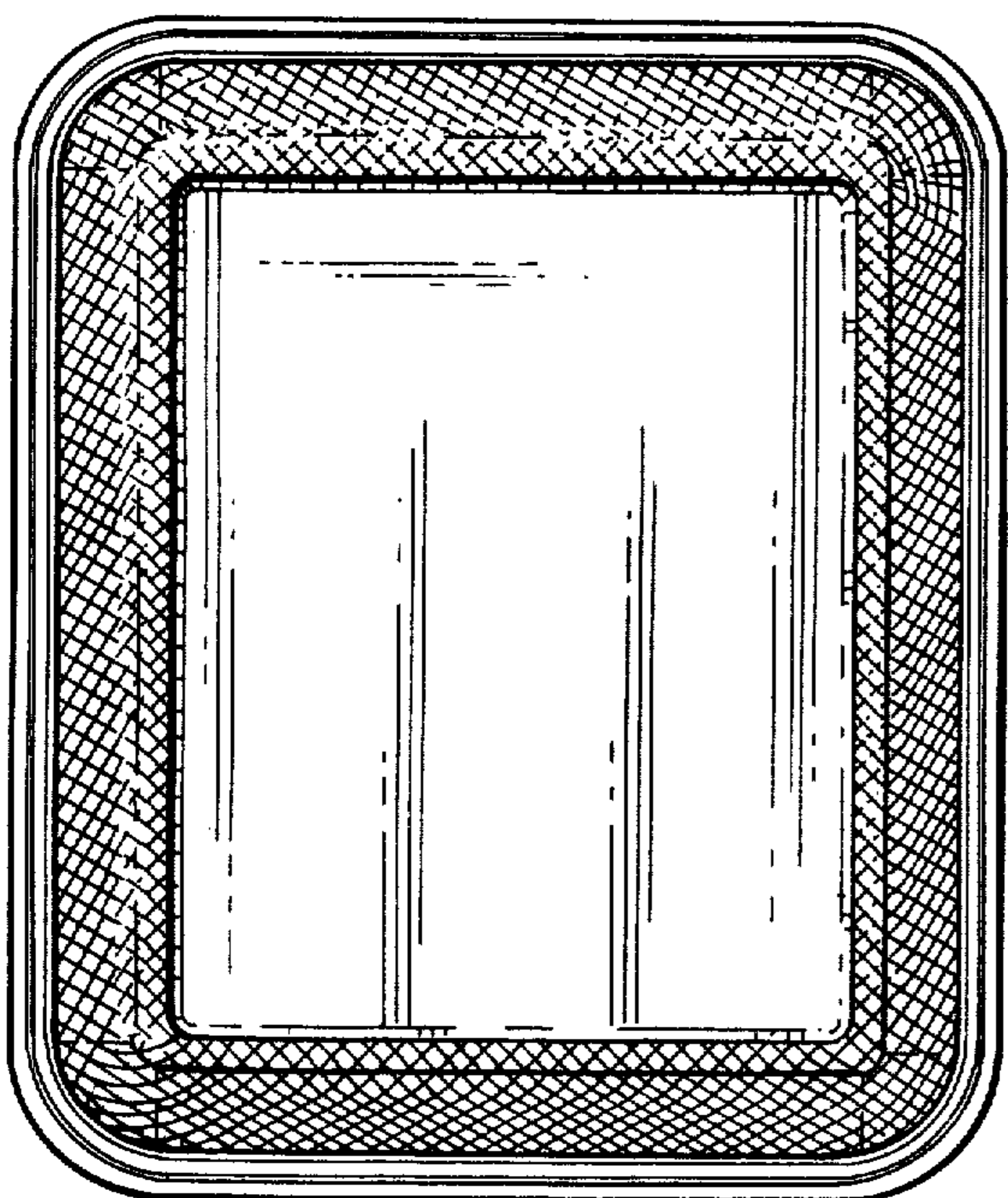


FIG. 4

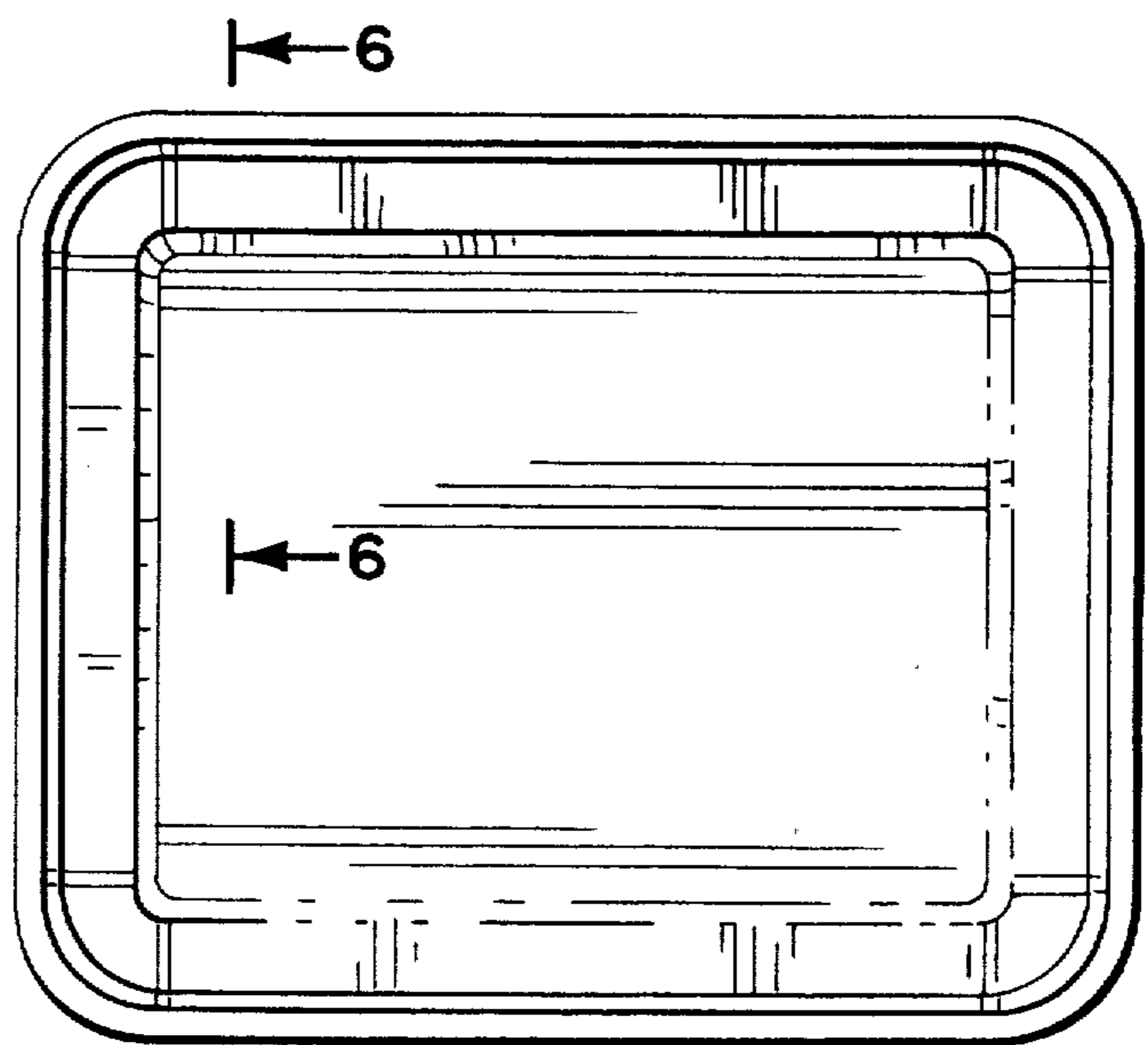


FIG. 5