

[54] DISPLAY CONTAINER

[75] Inventors: **Richard M. Liptak**, Parma Heights;
Thomas P. Liptak, Independence,
both of Ohio

[73] Assignee: **Integral Design, Inc.**, Cleveland,
Ohio

[**] Term: **14 Years**

[21] Appl. No.: **137,562**

[22] Filed: **Apr. 7, 1980**

[51] Int. Cl. **D9-03**

[52] U.S. Cl. **D9/415; D9/418**

[58] Field of Search **D9/415, 414, 418, 420,
D9/424, 425, 426, 428; 206/461-471, 485**

[56] **References Cited**

U.S. PATENT DOCUMENTS

- D. 214,996 8/1969 Cline D9/415
- D. 233,318 10/1974 Moberly et al. D9/415

- D. 252,797 9/1979 Fuller D9/415
- D. 260,368 8/1981 Dunshee D9/415
- 3,093,244 6/1963 Middleton, Jr. et al. D9/415 X
- 3,346,108 10/1967 Wizelman D9/415 X

Primary Examiner—Robert C. Spangler
Attorney, Agent, or Firm—Pearne, Gordon, Sessions,
McCoy & Granger

[57] **CLAIM**

The ornamental design for a display container, as shown and described.

DESCRIPTION

FIG. 1 is a perspective view of the display container showing our new design with a display sign being shown in broken lines for illustrative purposes only.

FIG. 2 is a side elevational view of the display container.

FIG. 3 is a top plan view thereof.

FIG. 4 is a front elevational view thereof.

FIG. 5 is a back elevational view thereof.

FIG. 6 is a bottom plan view thereof.

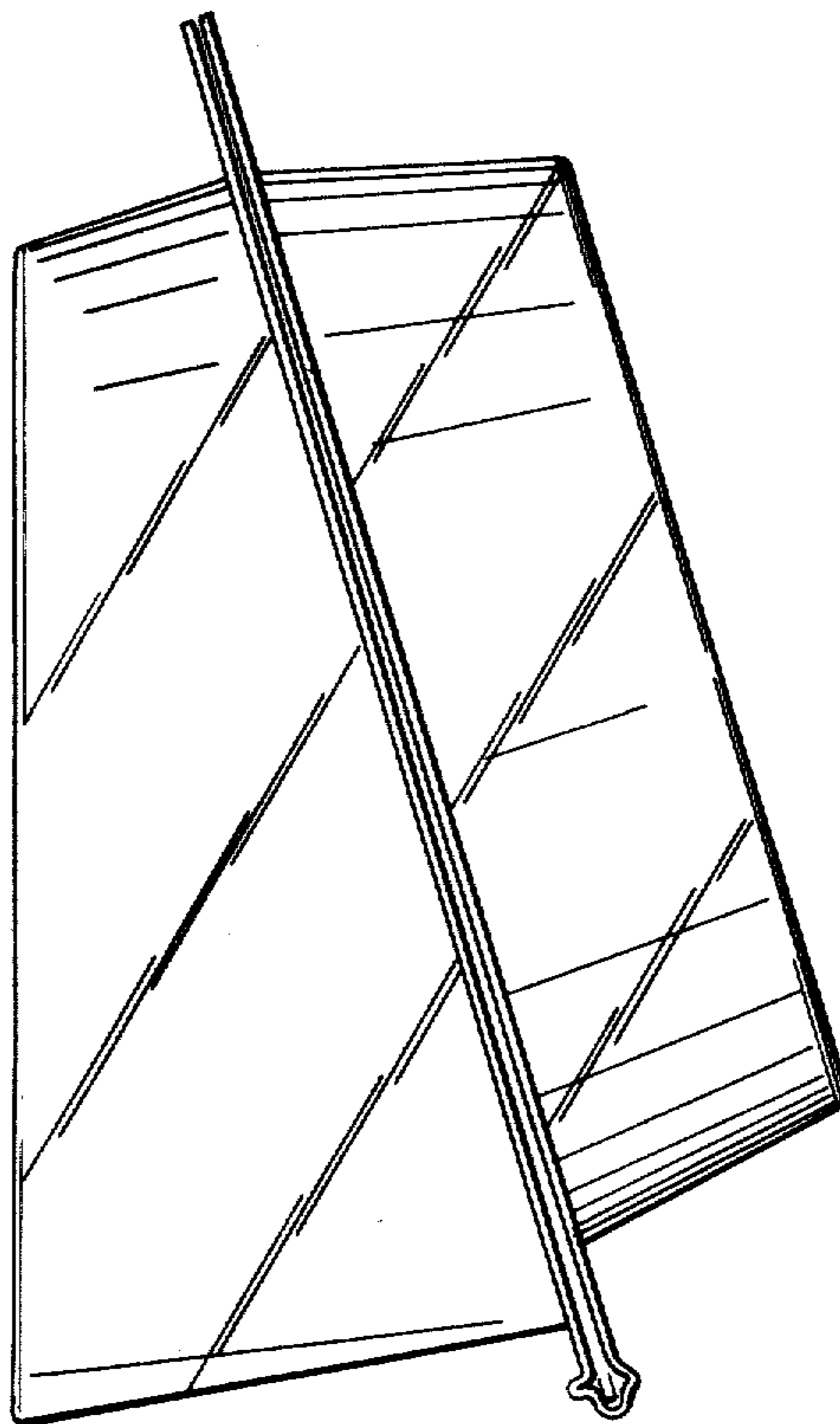


Fig. 1

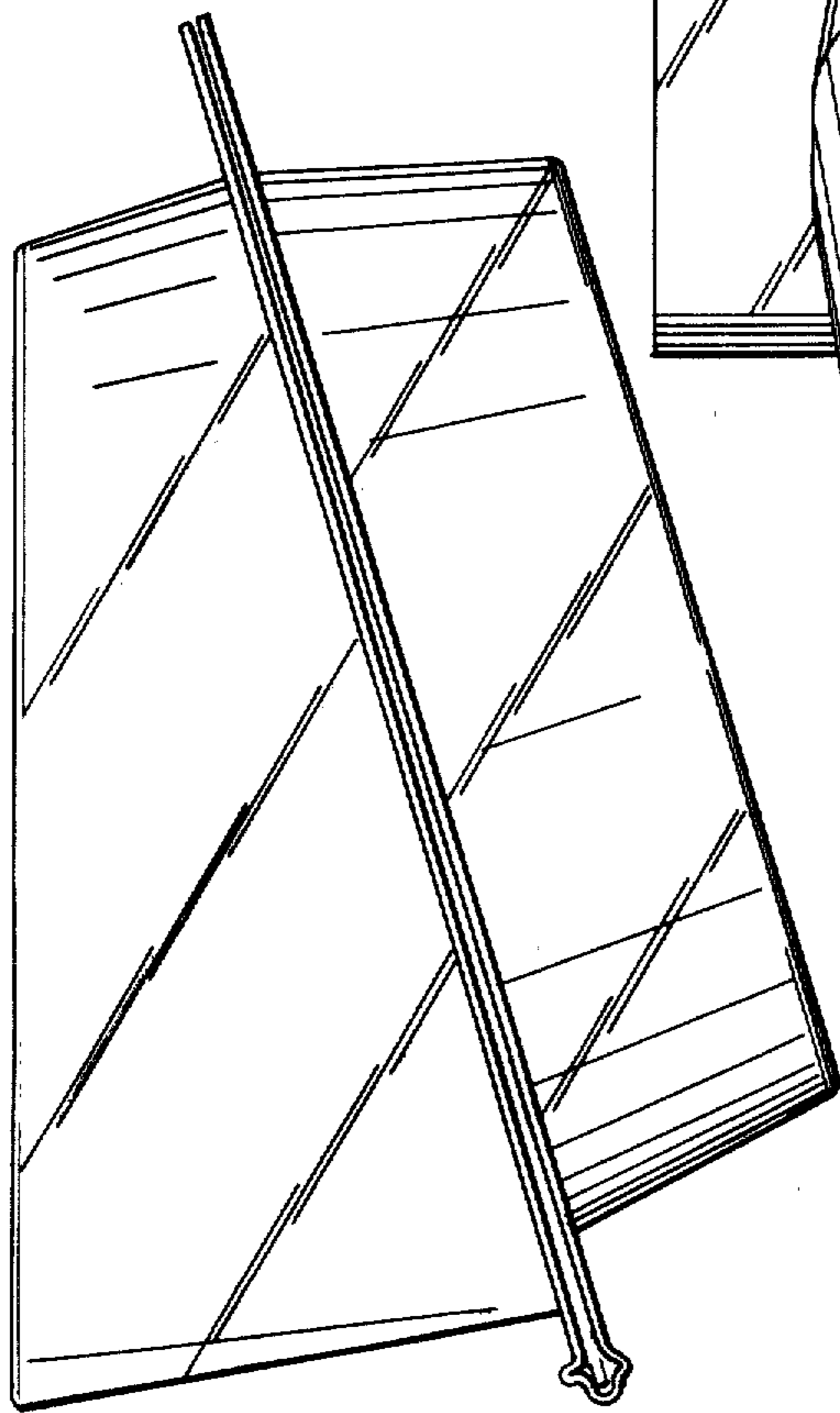


Fig. 2

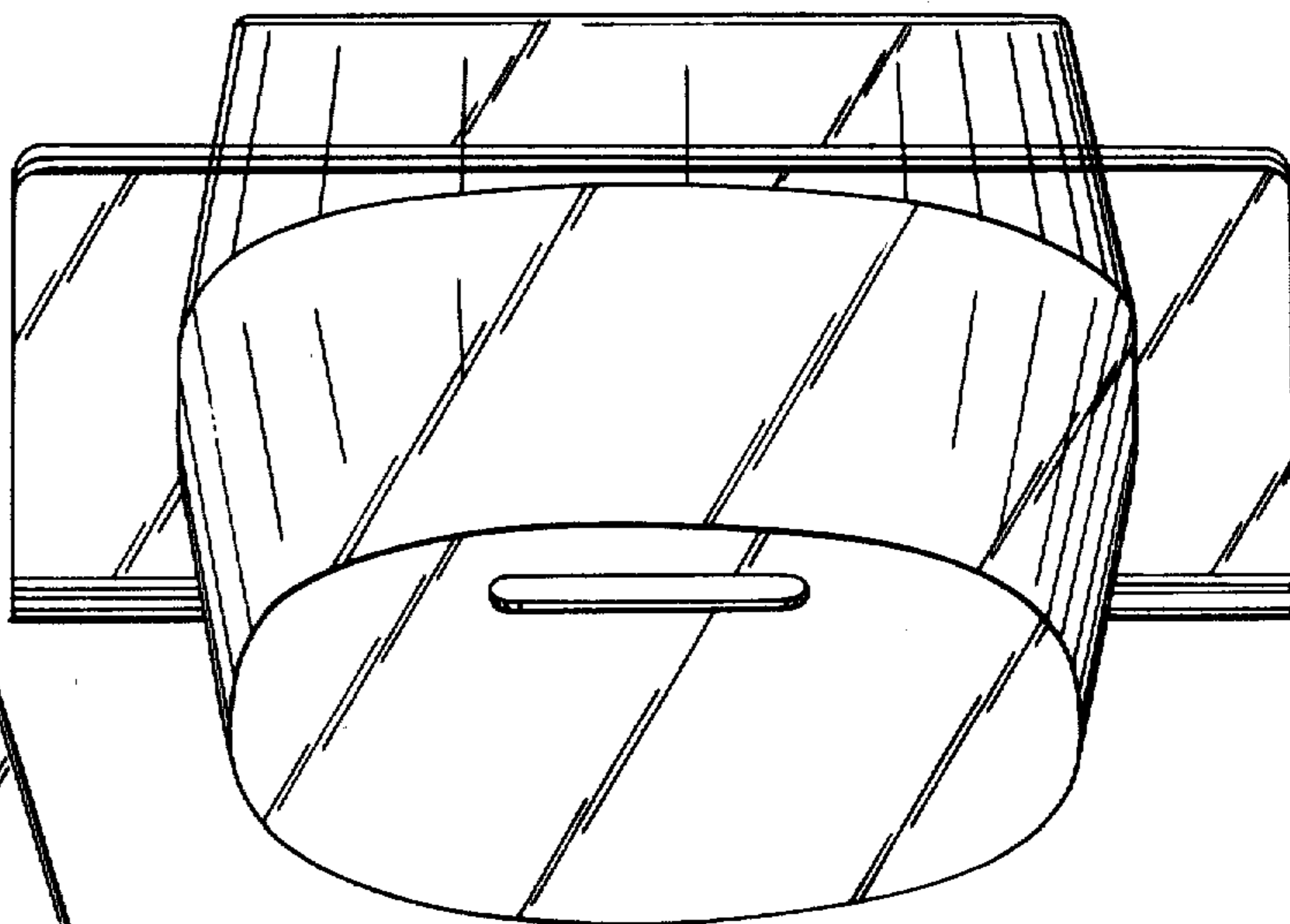


Fig. 3

Fig. 4

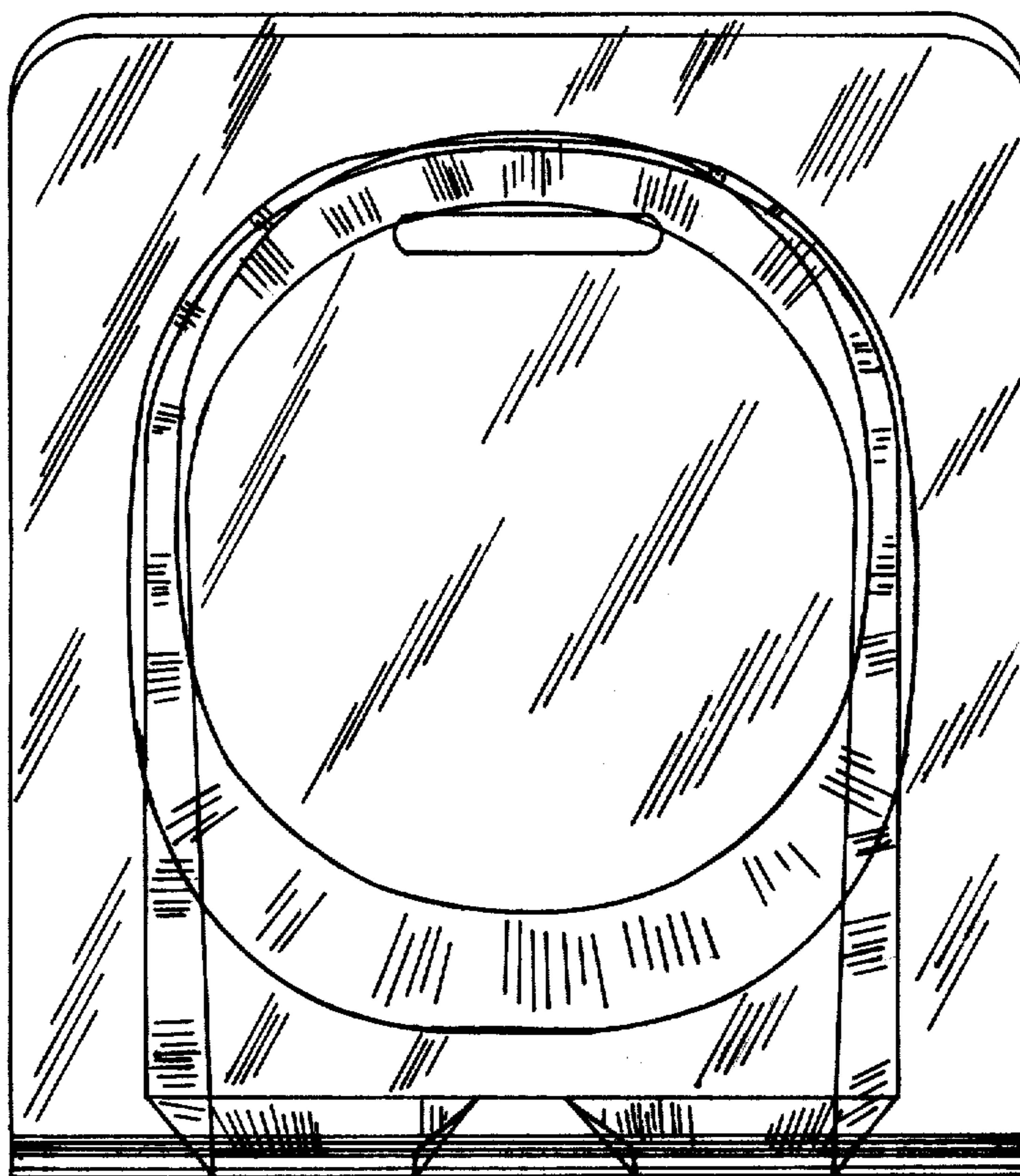
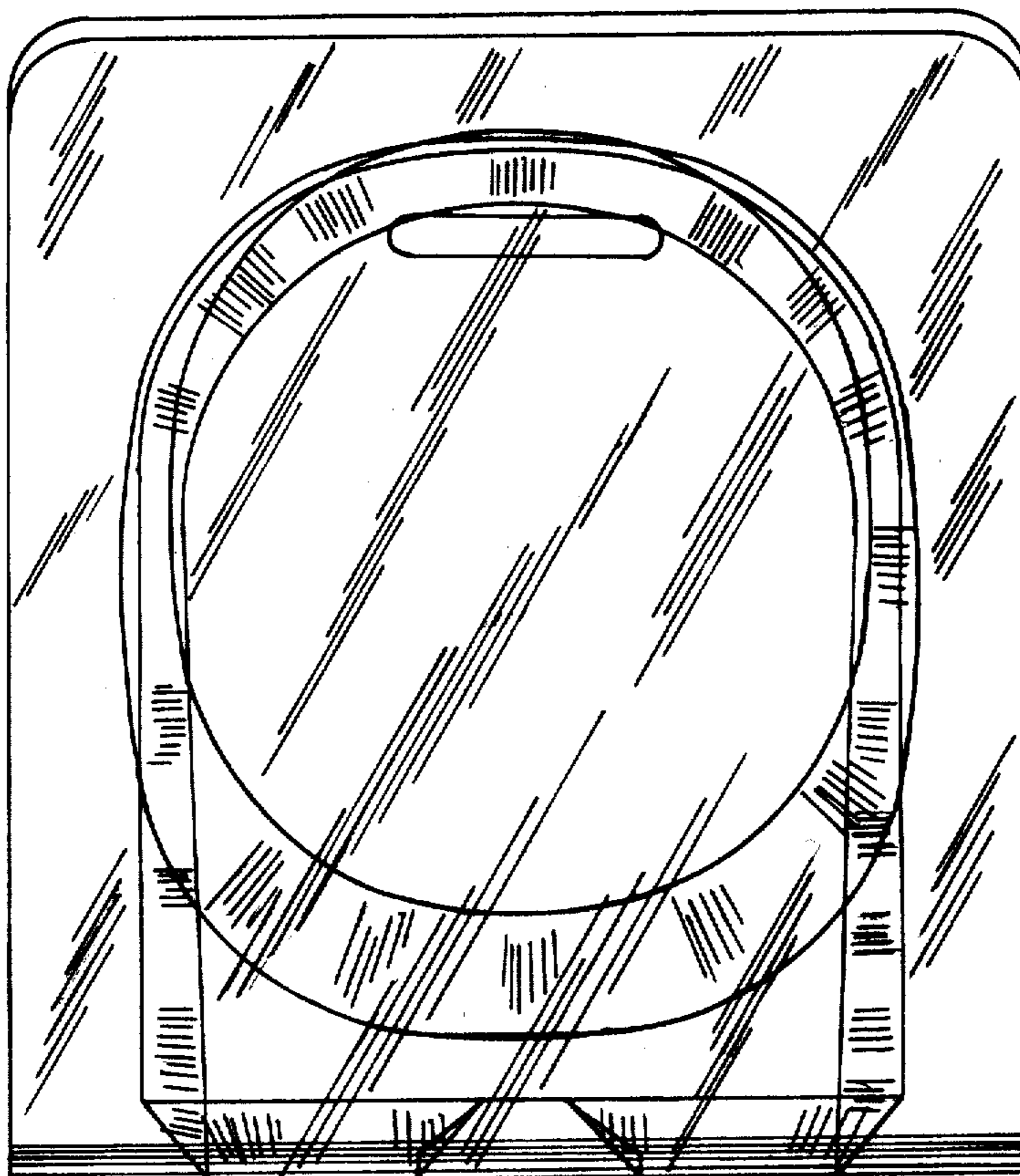


Fig. 5



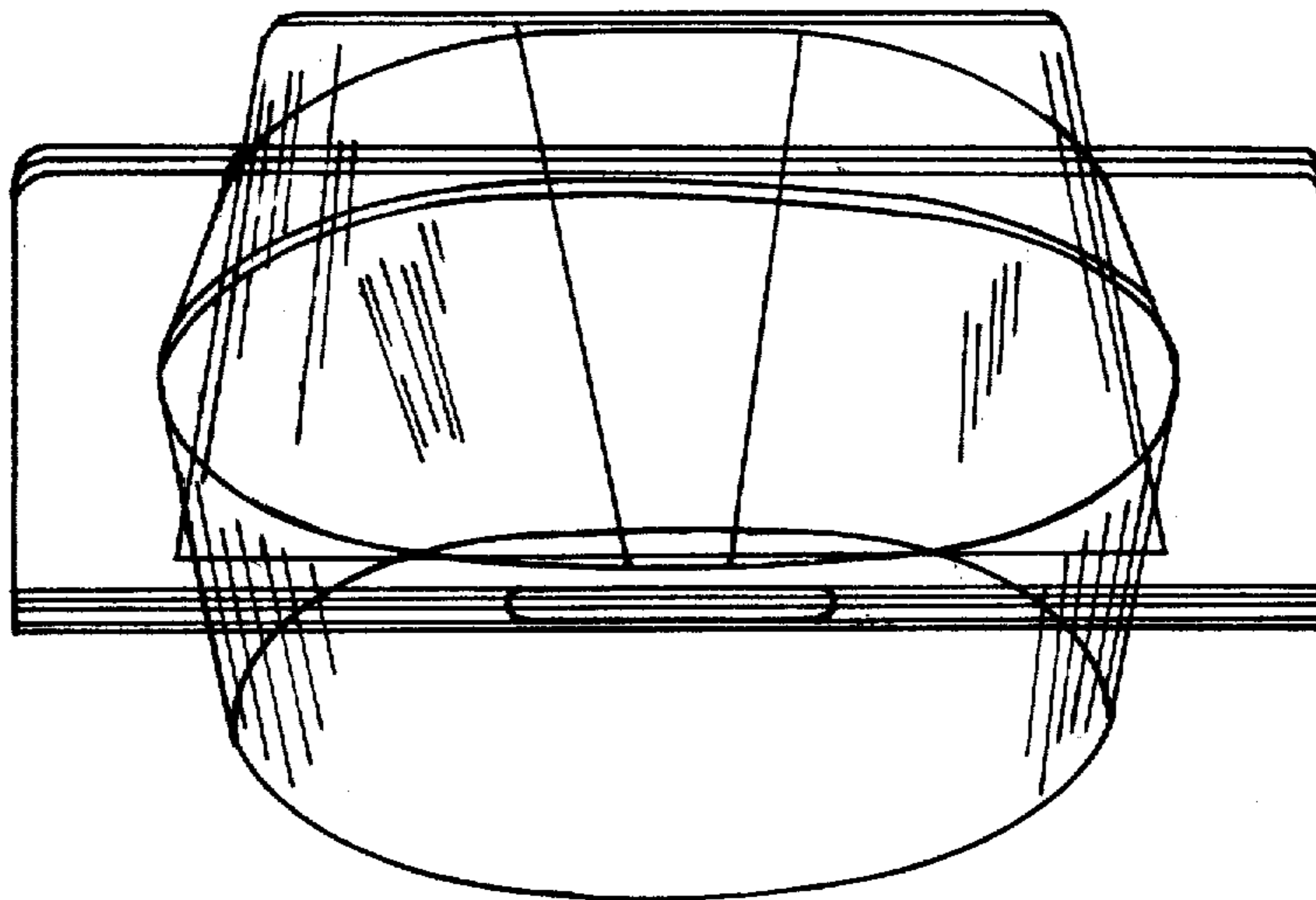


Fig. 6