

[54] MULTI-COOKER

[75] Inventors: Carl R. Spoeth, Jr., Kewaskum; Russell D. Hiatt, West Bend, both of Wis.

[73] Assignee: Dart Industries Inc., Northbrook, Ill.

[**] Term: 14 Years

[21] Appl. No.: 216,052

[22] Filed: Dec. 15, 1980

[51] Int. Cl. D07-02

[52] U.S. Cl. D7/360

[58] Field of Search D7/85, 94, 97, 96, 86

References Cited

U.S. PATENT DOCUMENTS

D. 182,786	5/1958	Boldt	D7/94
D. 183,684	10/1958	Ernest	D7/94
D. 232,148	7/1974	Yarrington	D7/94
3,541,997	11/1970	Marchand	D7/86 X

OTHER PUBLICATIONS

House & Garden, May, 1973, p. 155, West Bend Adv., Covered Elec. Footed Cooking Appliance, top left item.

Regal-Plus Supplement to Retailing Home Furnishings, Jan. 1, 1979, p. 3, Covered Pot with Opposed Handles, 2nd up at left.

Primary Examiner—Winifred E. Herrmann
Attorney, Agent, or Firm—Leigh B. Taylor

[57] CLAIM

The ornamental design for a multi-cooker, substantially as shown.

DESCRIPTION

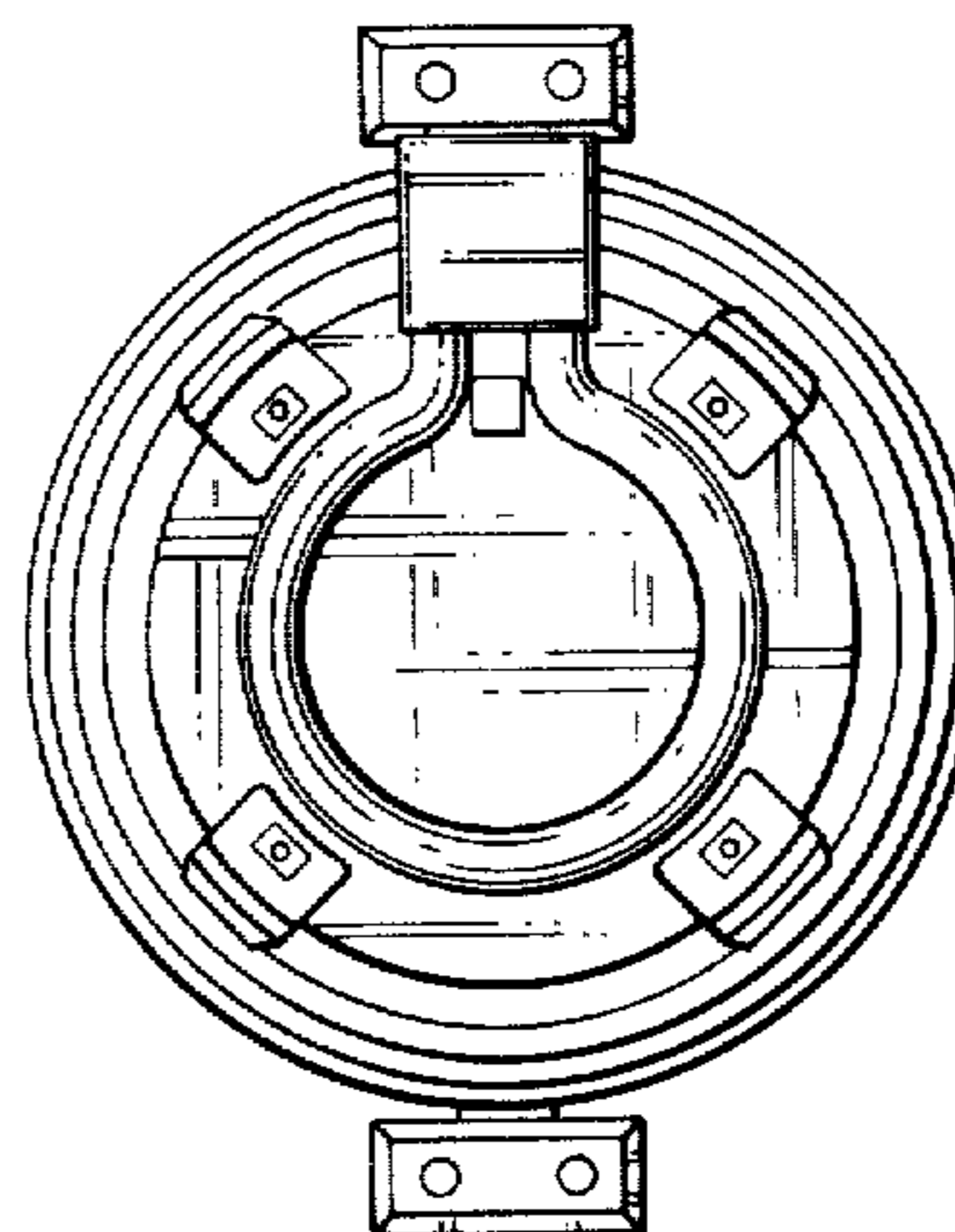
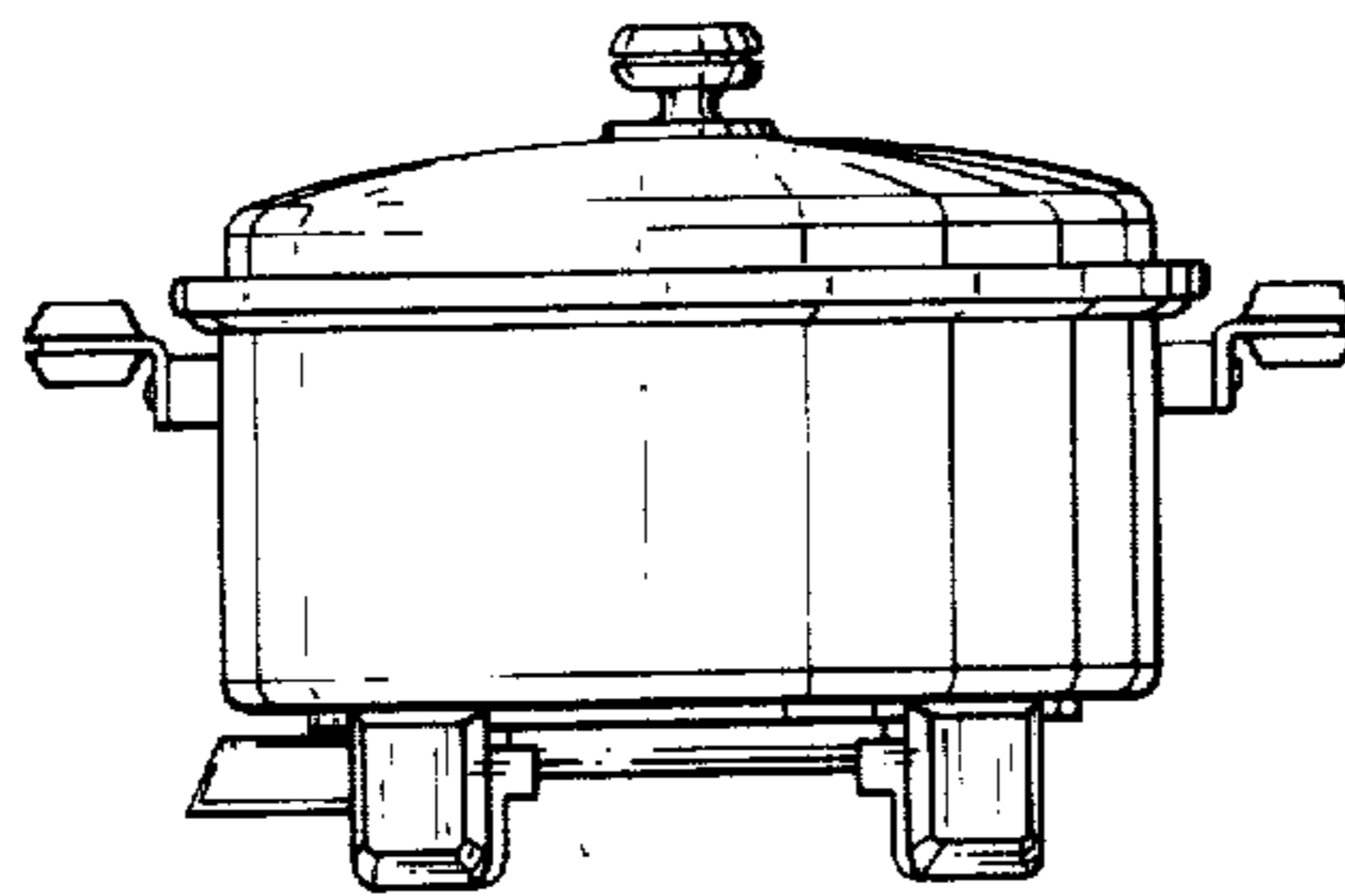
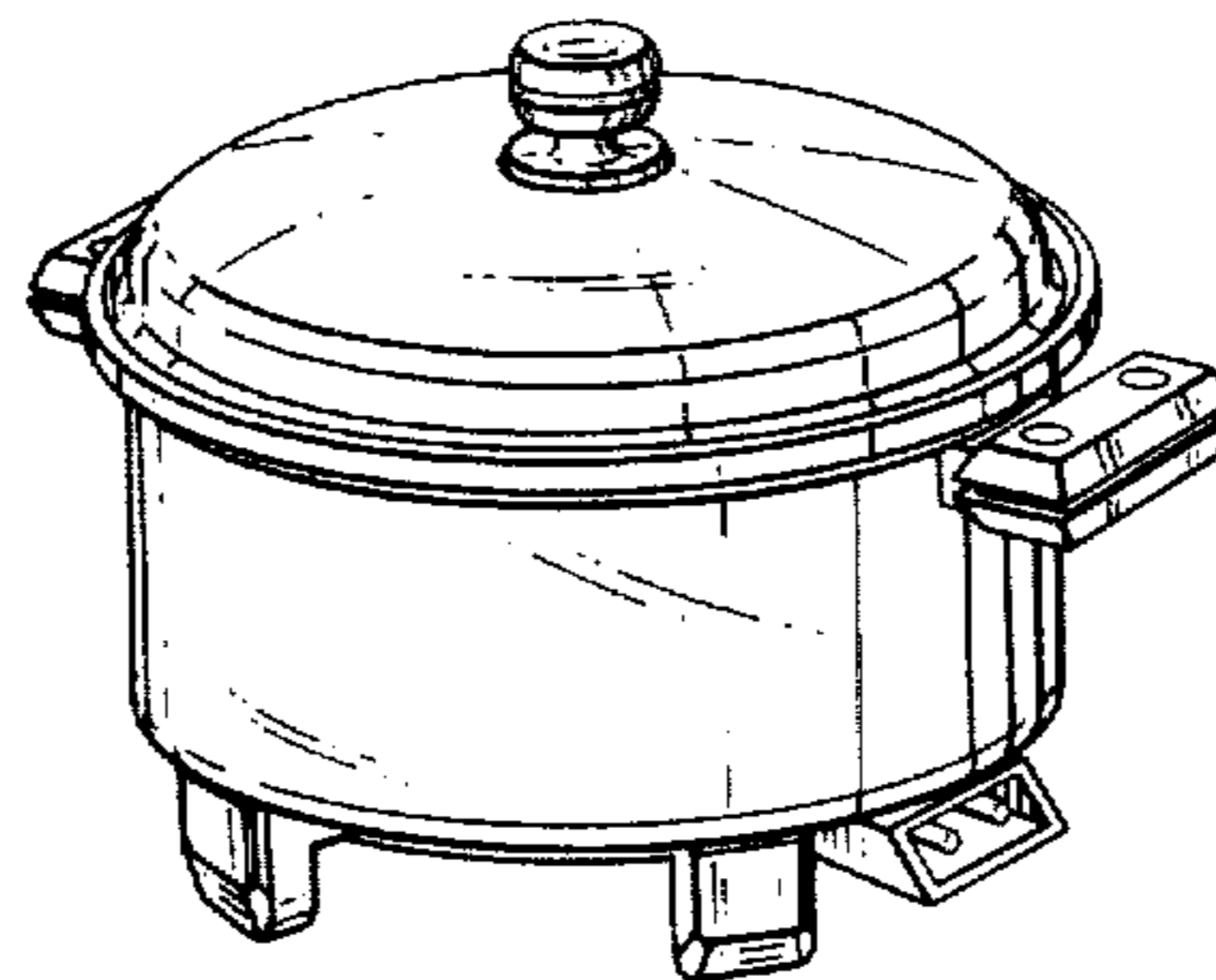
FIG. 1 is a perspective view of a multi-cooker showing our new design;

FIG. 2 is a side elevational view;

FIG. 3 is an end elevational view;

FIG. 4 is a top plan view; and,

FIG. 5 is a bottom plan view.



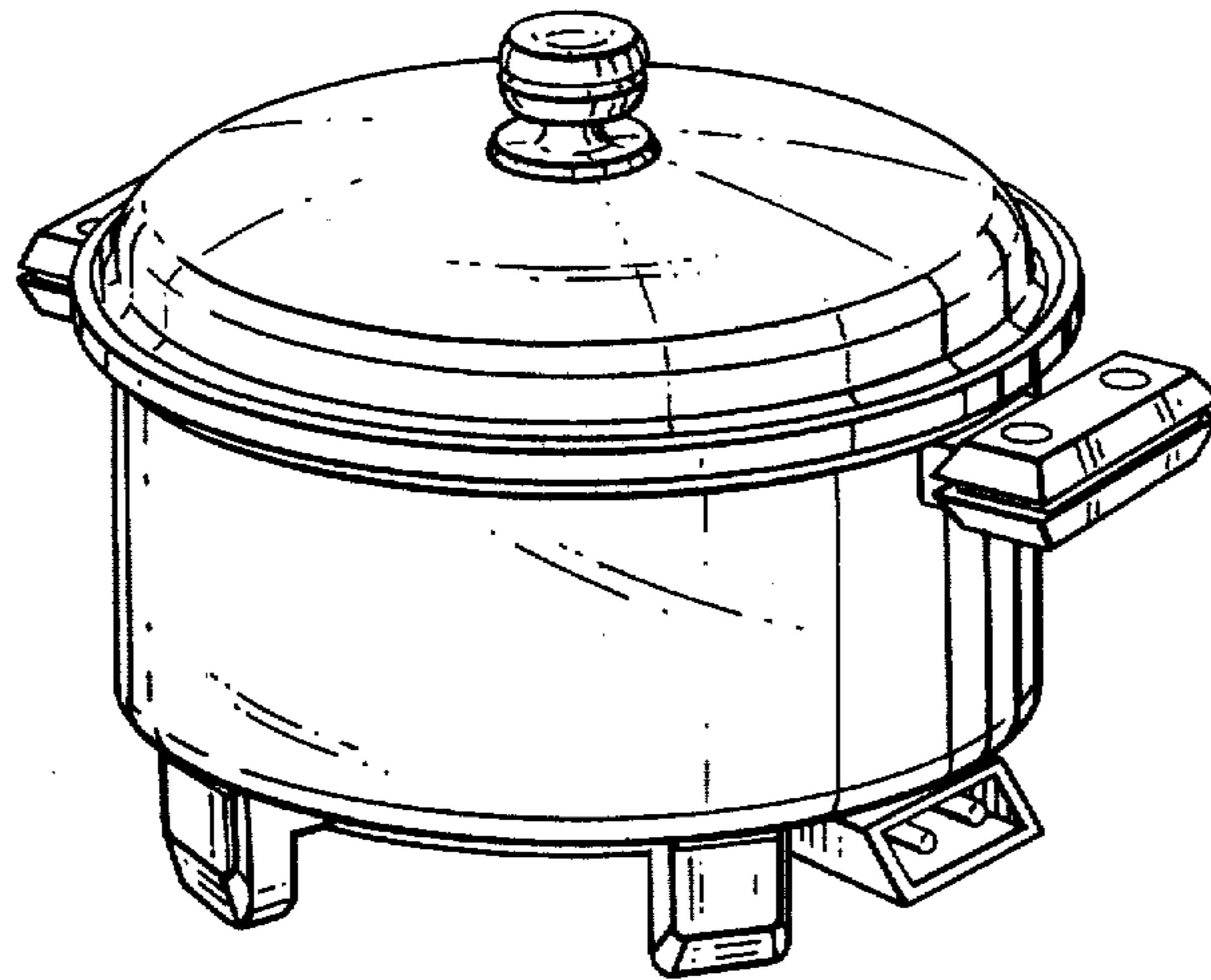


FIG. 1

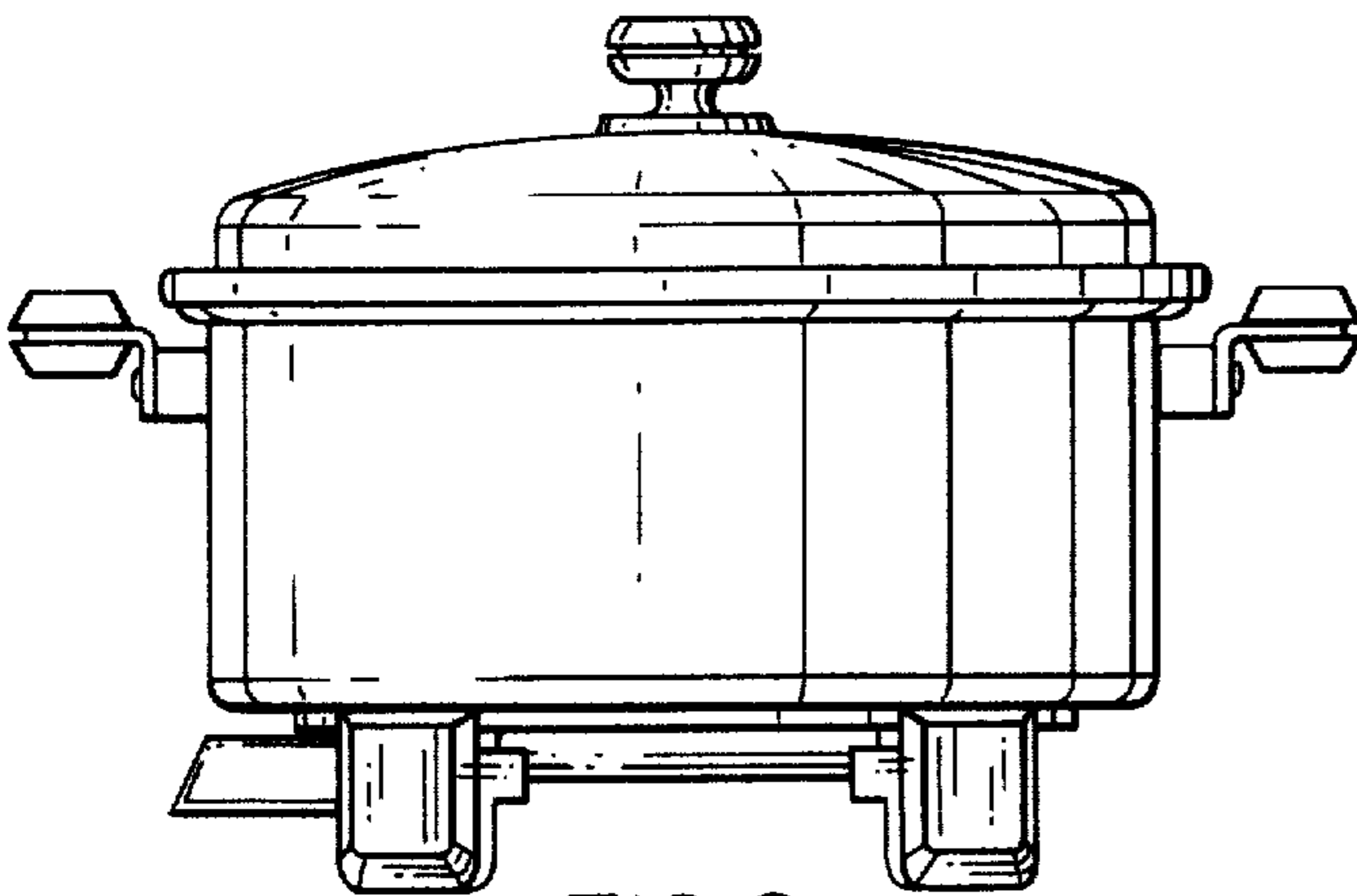


FIG. 2

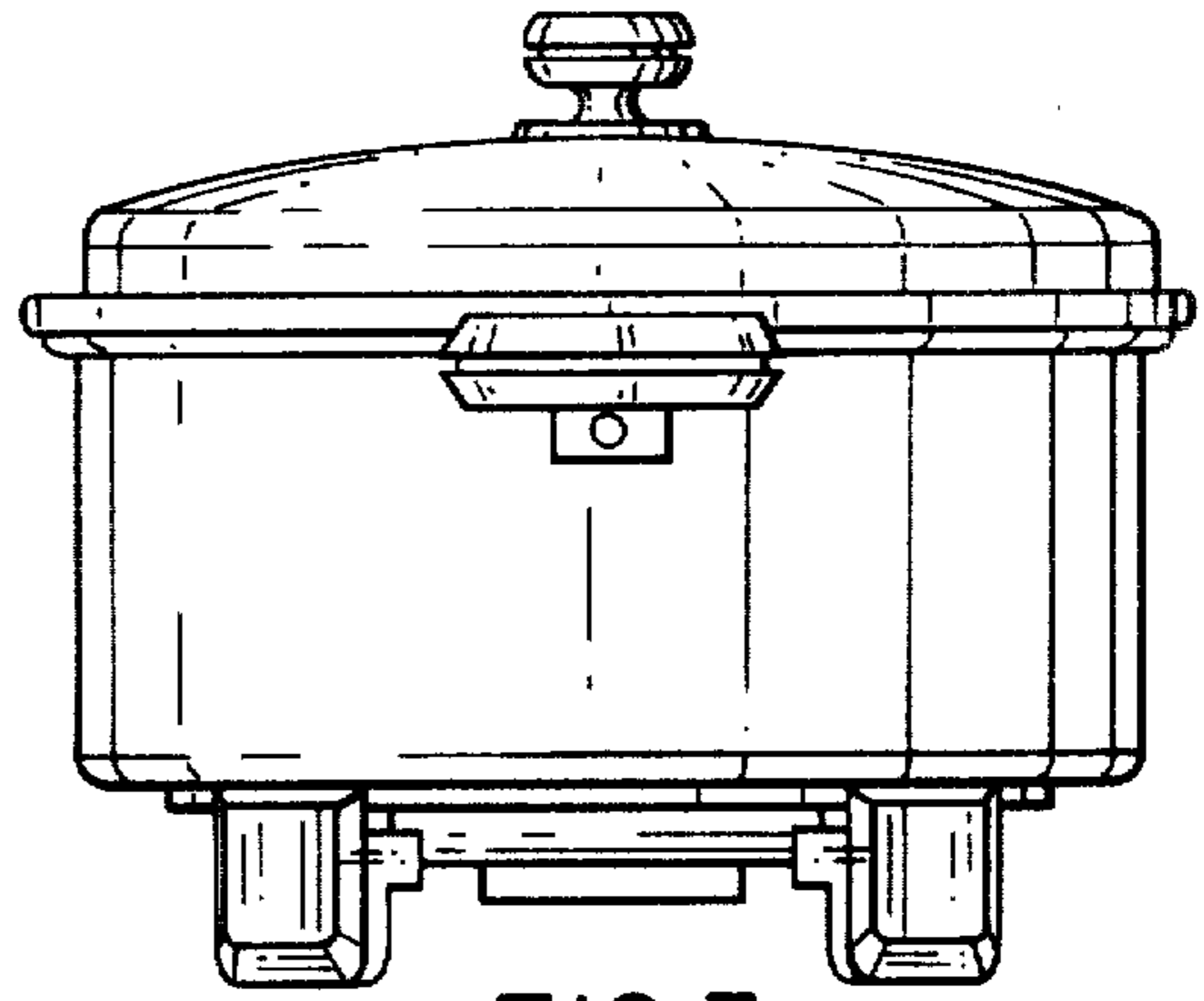


FIG. 3

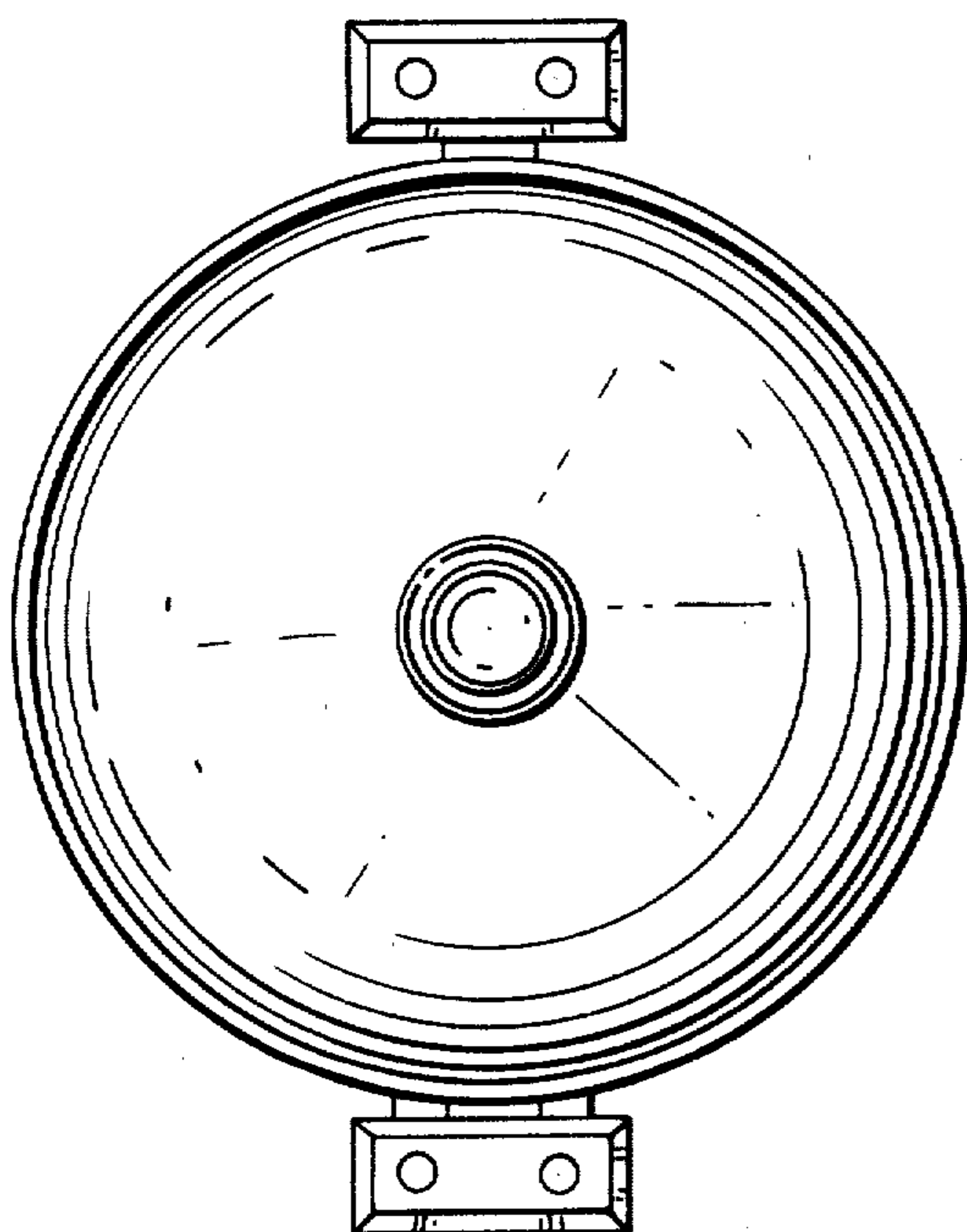


FIG. 4

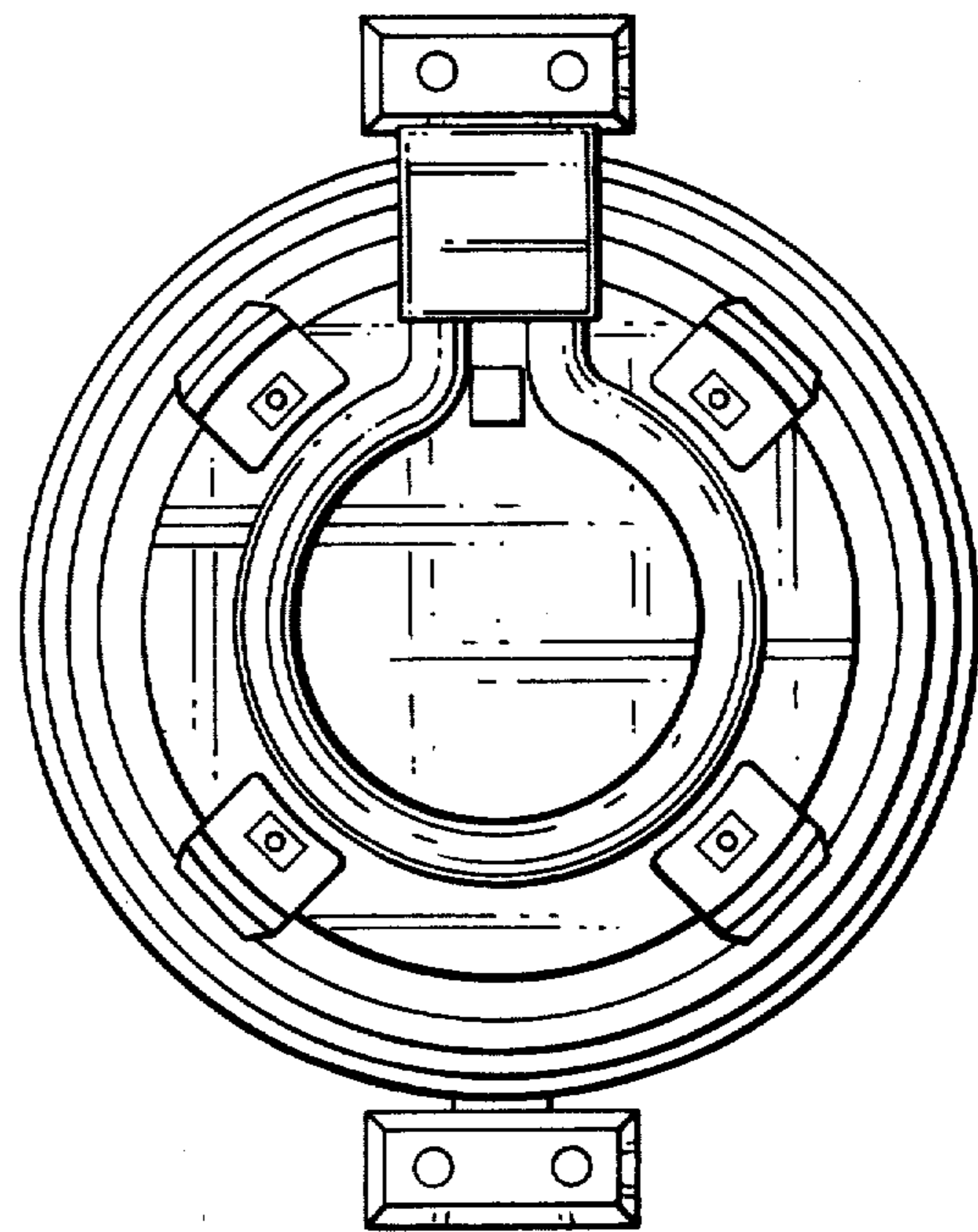


FIG. 5