

[54] CHAIR BASE

[76] Inventor: James K. Faull, Rte. #1, Box 156, Enon Valley, Pa. 16120

[\*\*] Term: 14 Years

[21] Appl. No.: 222,519

[22] Filed: Jan. 2, 1981

[51] Int. Cl. .... D6-06

[52] U.S. Cl. .... D6/196

[58] Field of Search ..... D6/28, 29, 30, 31, 27, D6/196; 248/188.7, 188.8

[56] References Cited

U.S. PATENT DOCUMENTS

- D. 229,146 11/1973 Kipp et al. .... D6/196
- D. 238,646 2/1976 Schoblom ..... D6/196
- D. 240,780 8/1976 Dittert ..... D6/31 X

Primary Examiner—Bruce W. Dunkins  
Attorney, Agent, or Firm—Michael Williams

[57] CLAIM

The ornamental design for a chair base, substantially as shown and described.

DESCRIPTION

FIG. 1 is a perspective view of a chair base, looking from the top thereof, showing my new design,

FIG. 2 is a top plan view thereof, drawn to a reduced scale,

FIG. 3 is a perspective view, looking from the bottom thereof,

FIG. 4 is a bottom plan view thereof, drawn to a reduced scale,

FIG. 5 is a sectional view corresponding to the line 5-5 of FIG. 1,

FIG. 6 is a sectional view corresponding to the line 6-6 of FIG. 1, and drawn to an enlarged scale,

FIG. 7 is an enlarged sectional view taken along line 7-7 of FIG. 6,

FIG. 8 is an enlarged sectional view taken along line 8-8 of FIG. 6,

FIG. 9 is a perspective view, showing another embodiment of my new design of a chair base, looking from the top thereof,

FIG. 10 is a top plan view thereof, drawn to a reduced scale,

FIG. 11 is a perspective view, looking from the bottom thereof,

FIG. 12 is a bottom plan view thereof, drawn to a reduced scale,

FIG. 13 is a sectional view, corresponding to the line 13-13 of FIG. 9,

FIG. 14 is a sectional view, corresponding to the line 14-14 of FIG. 9 drawn to an enlarged scale,

FIG. 15 is an enlarged sectional view taken along the line 15-15 of FIG. 14, and

FIG. 16 is an enlarged sectional view taken along the line 16-16 of FIG. 14.

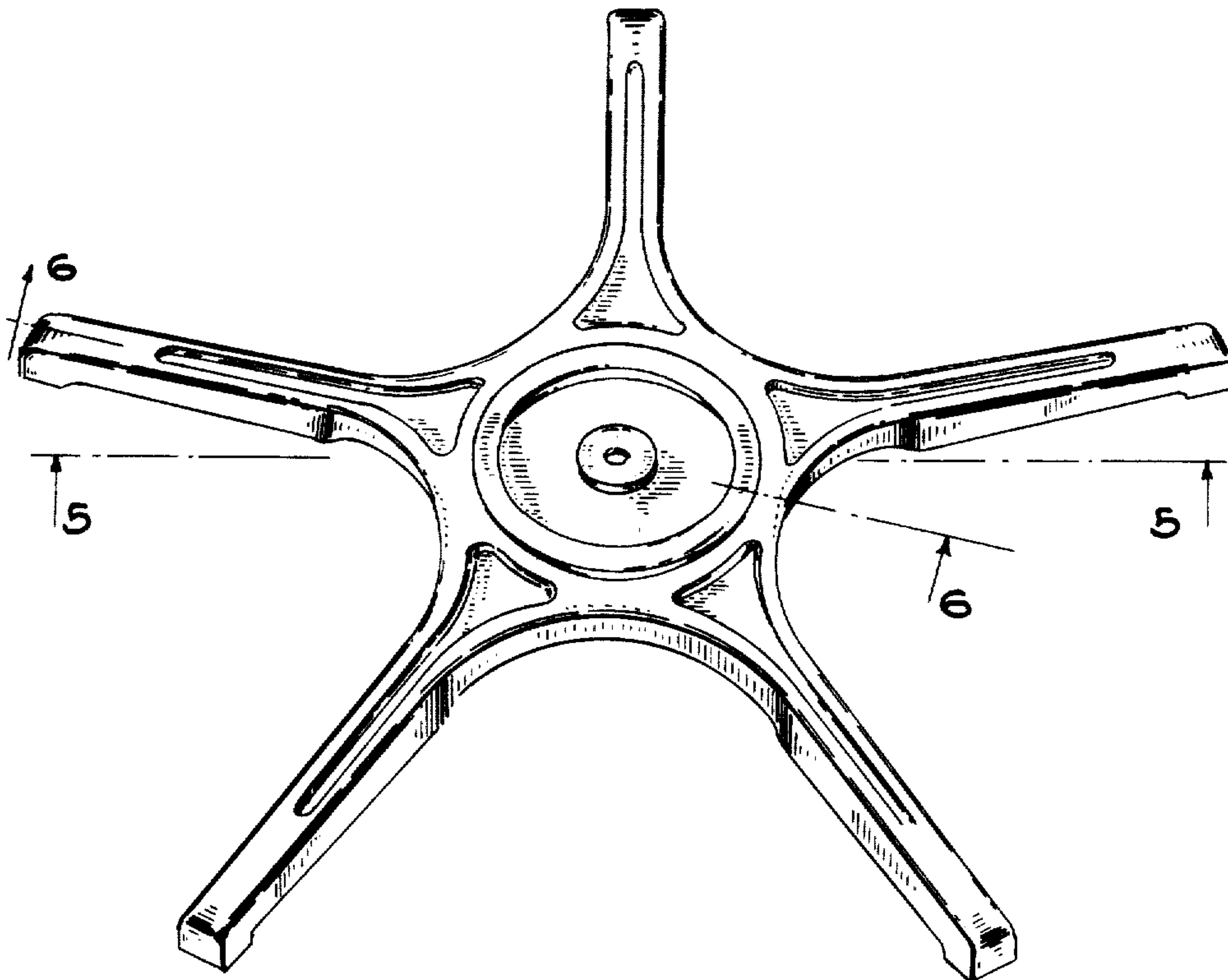


FIG. 1.

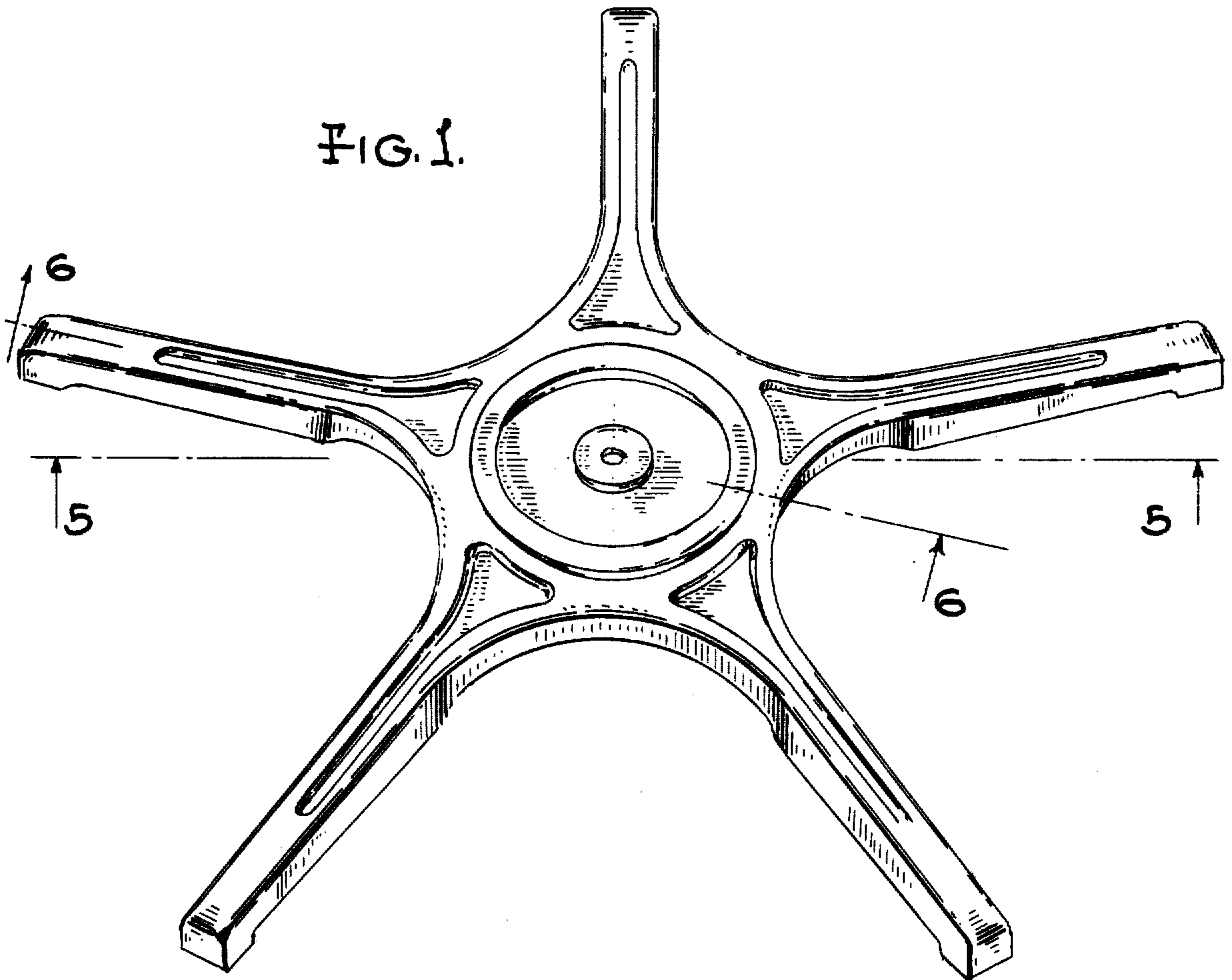


FIG. 2.

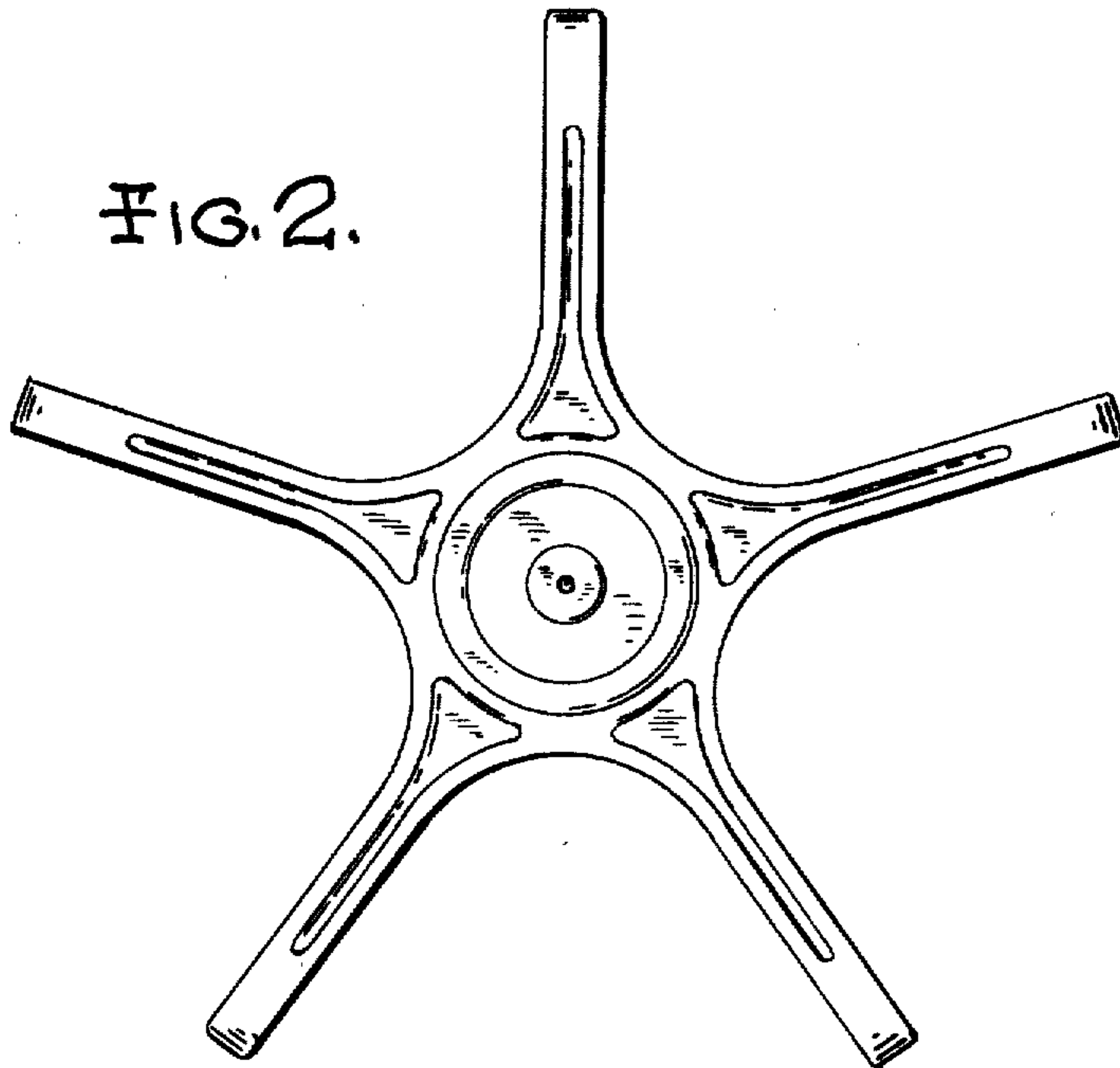


FIG. 3.

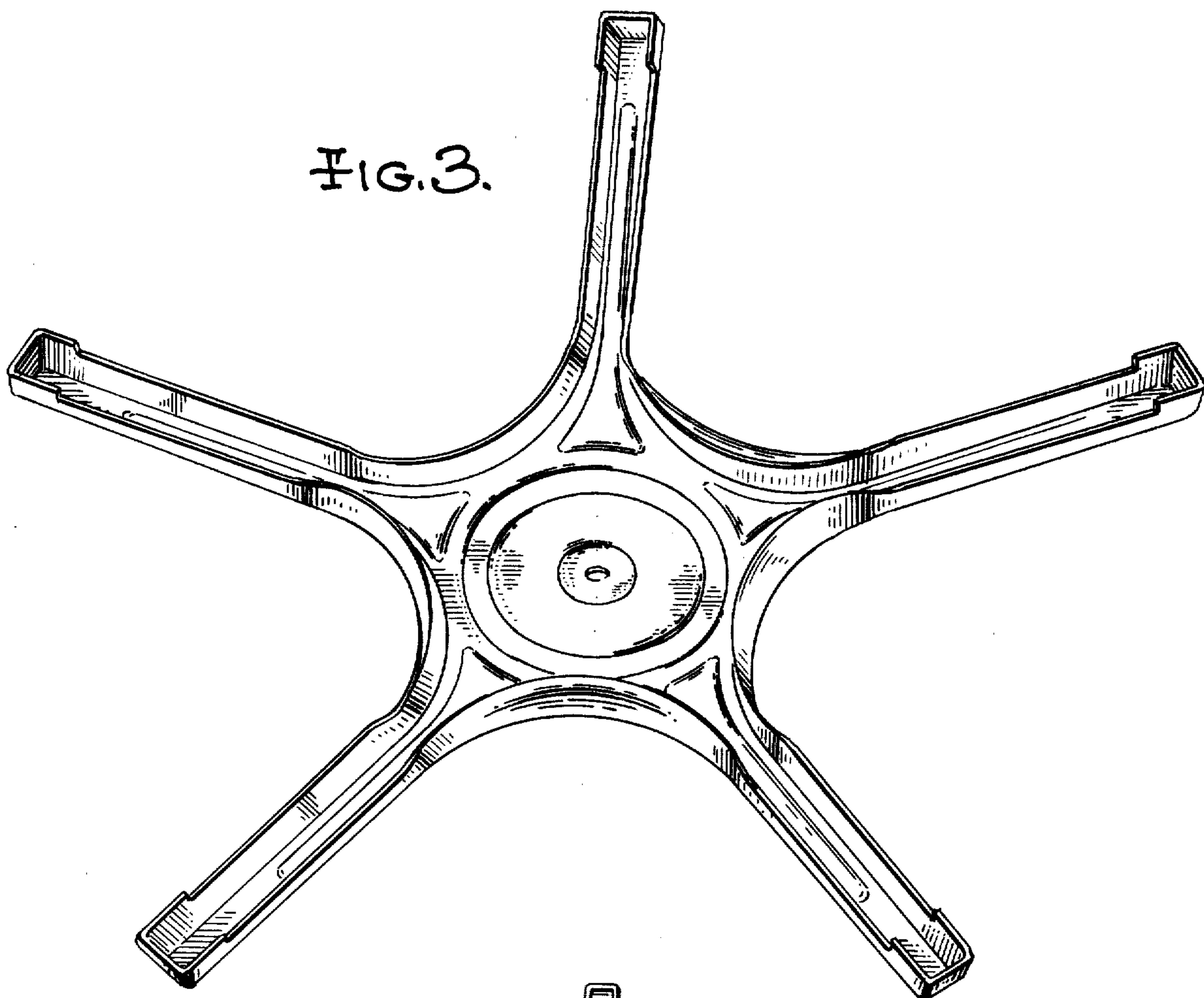


FIG. 4.

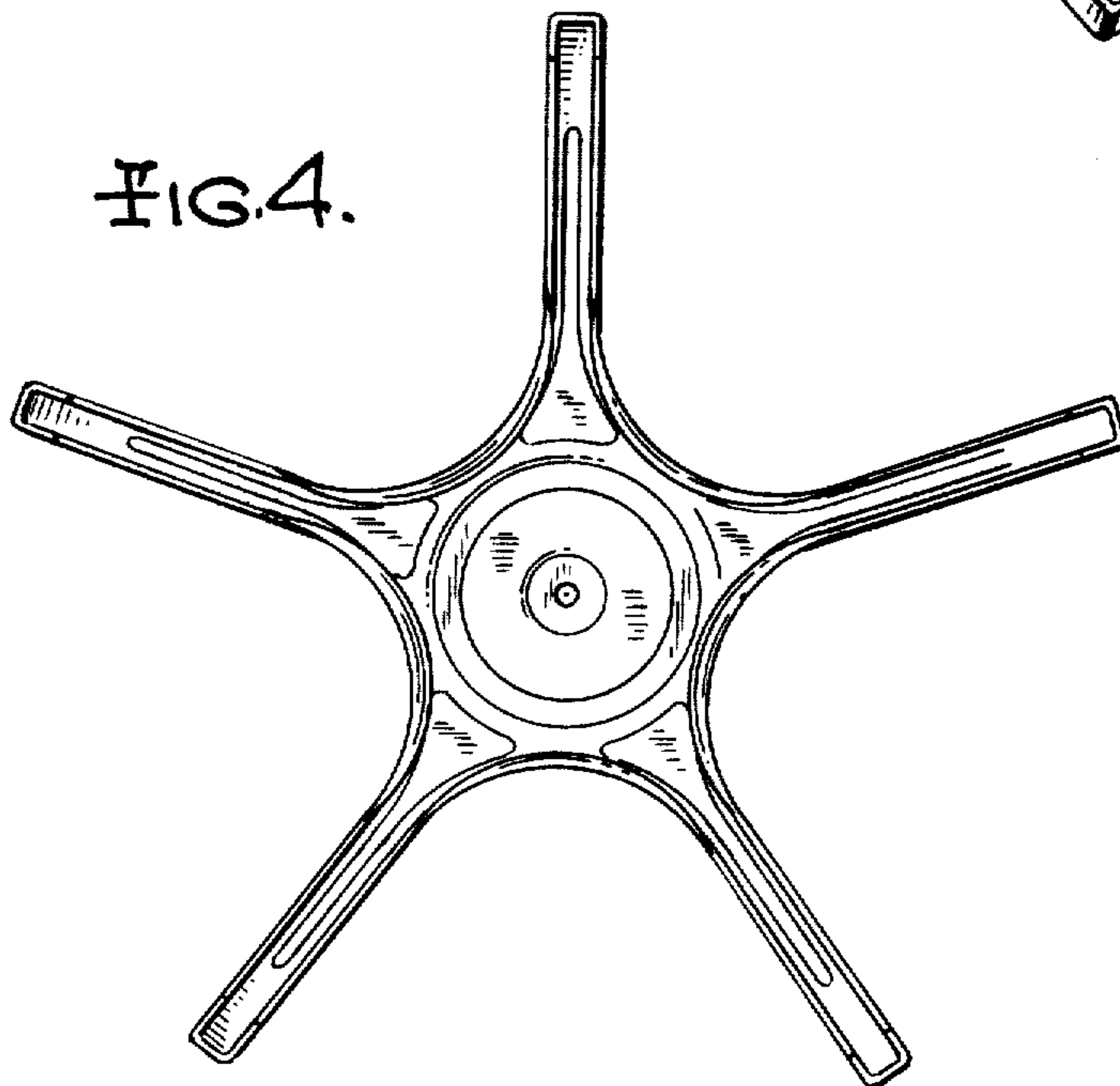


FIG. 5.

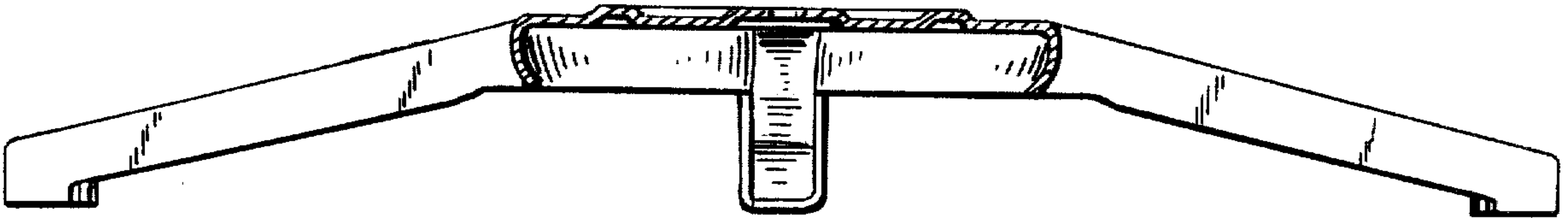


FIG. 6.

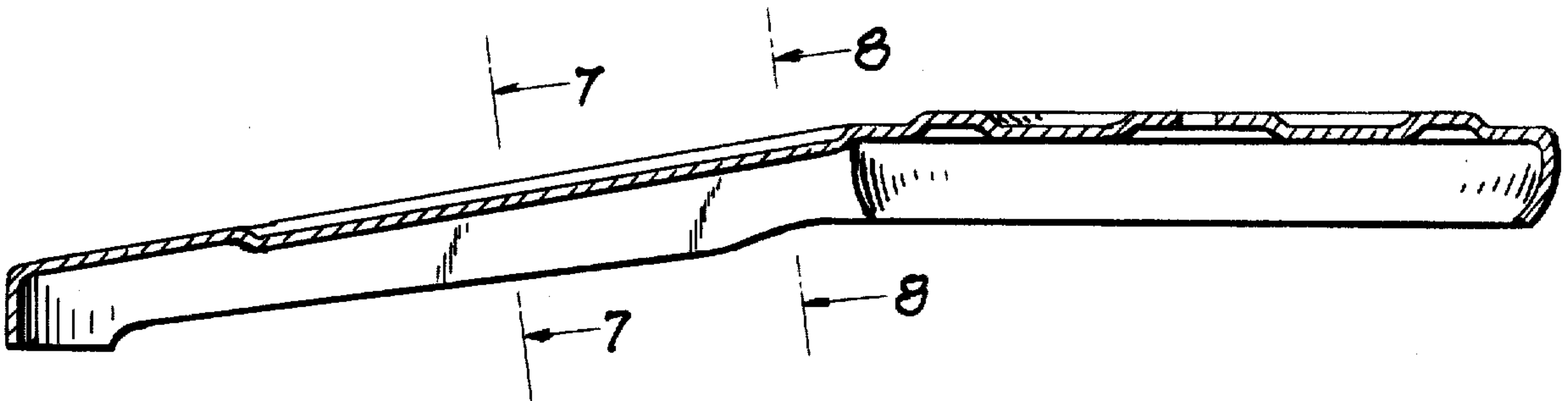


FIG. 7.

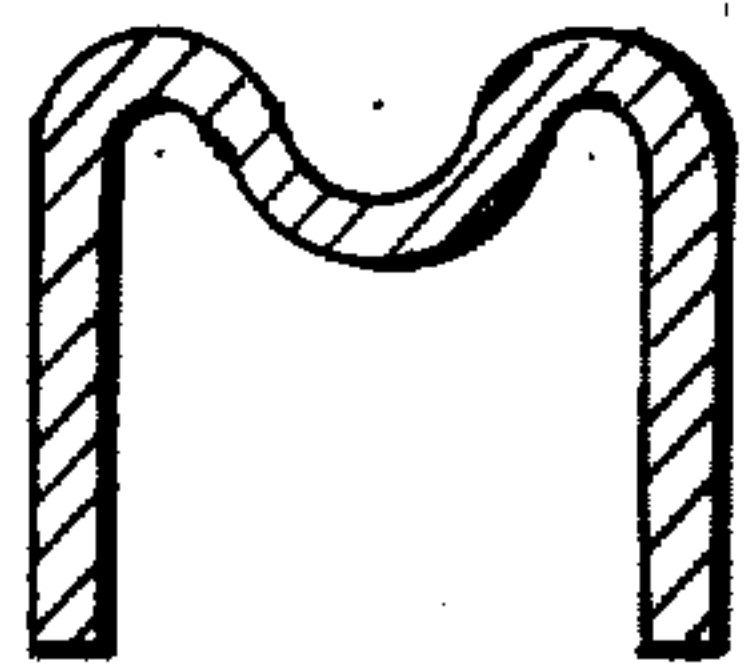


FIG. 8.

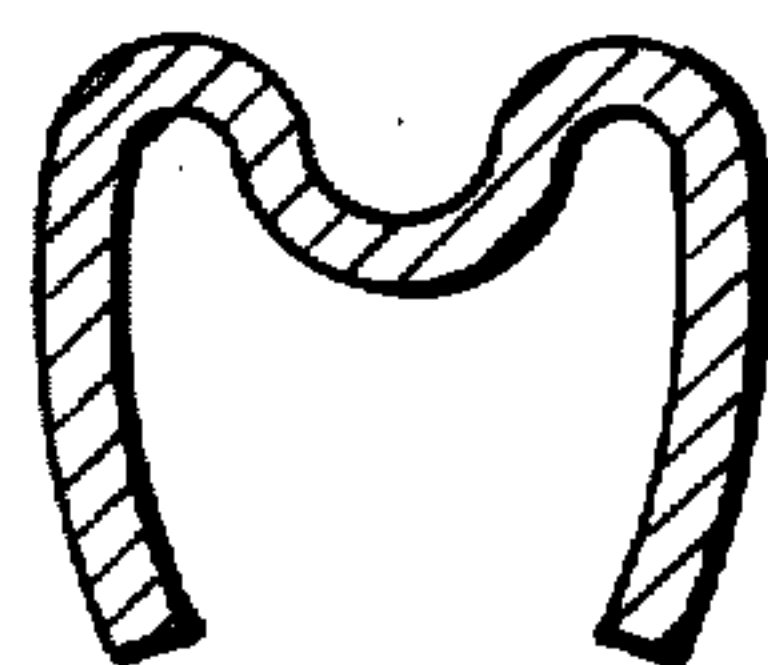




FIG. 9.

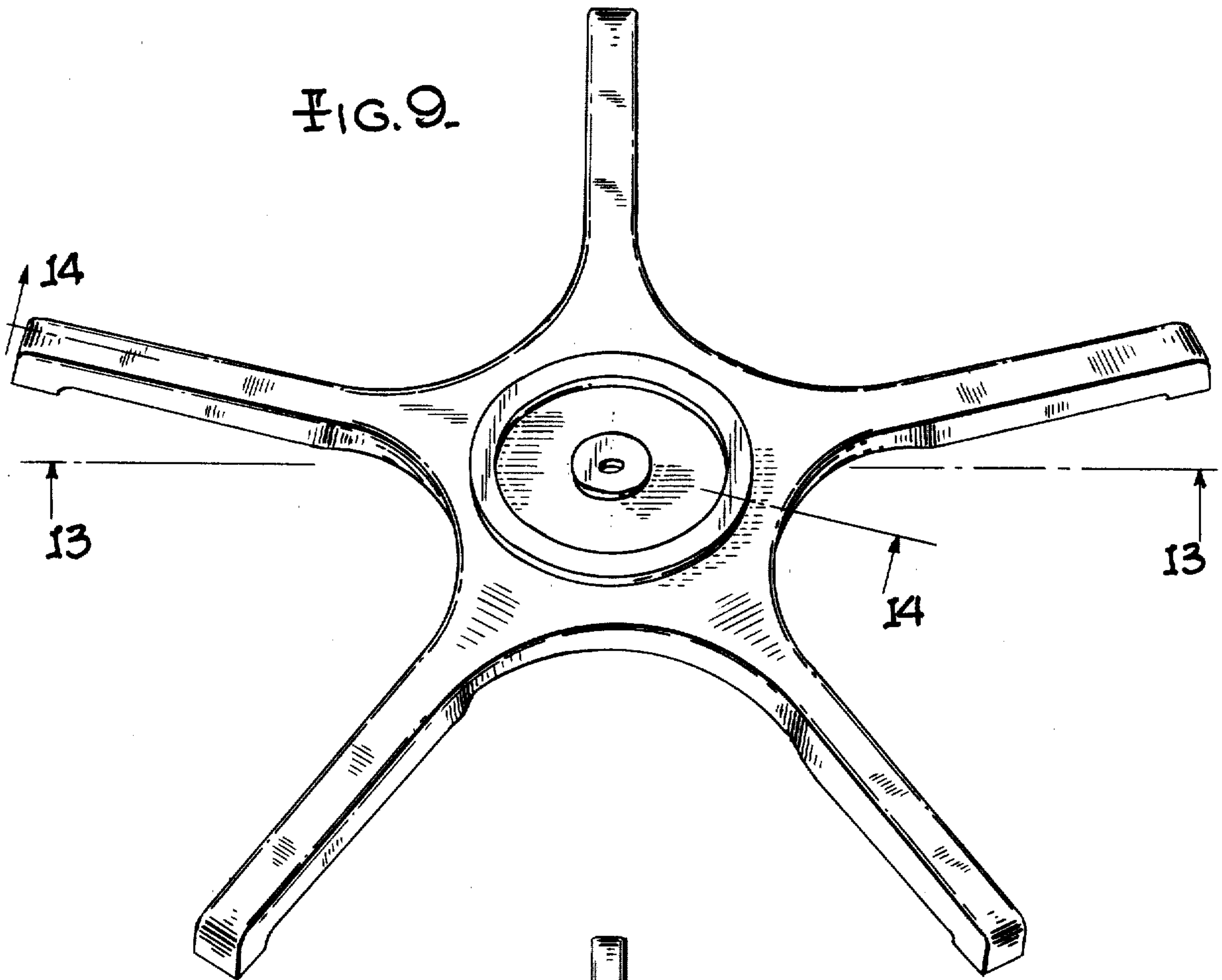


FIG. 10.

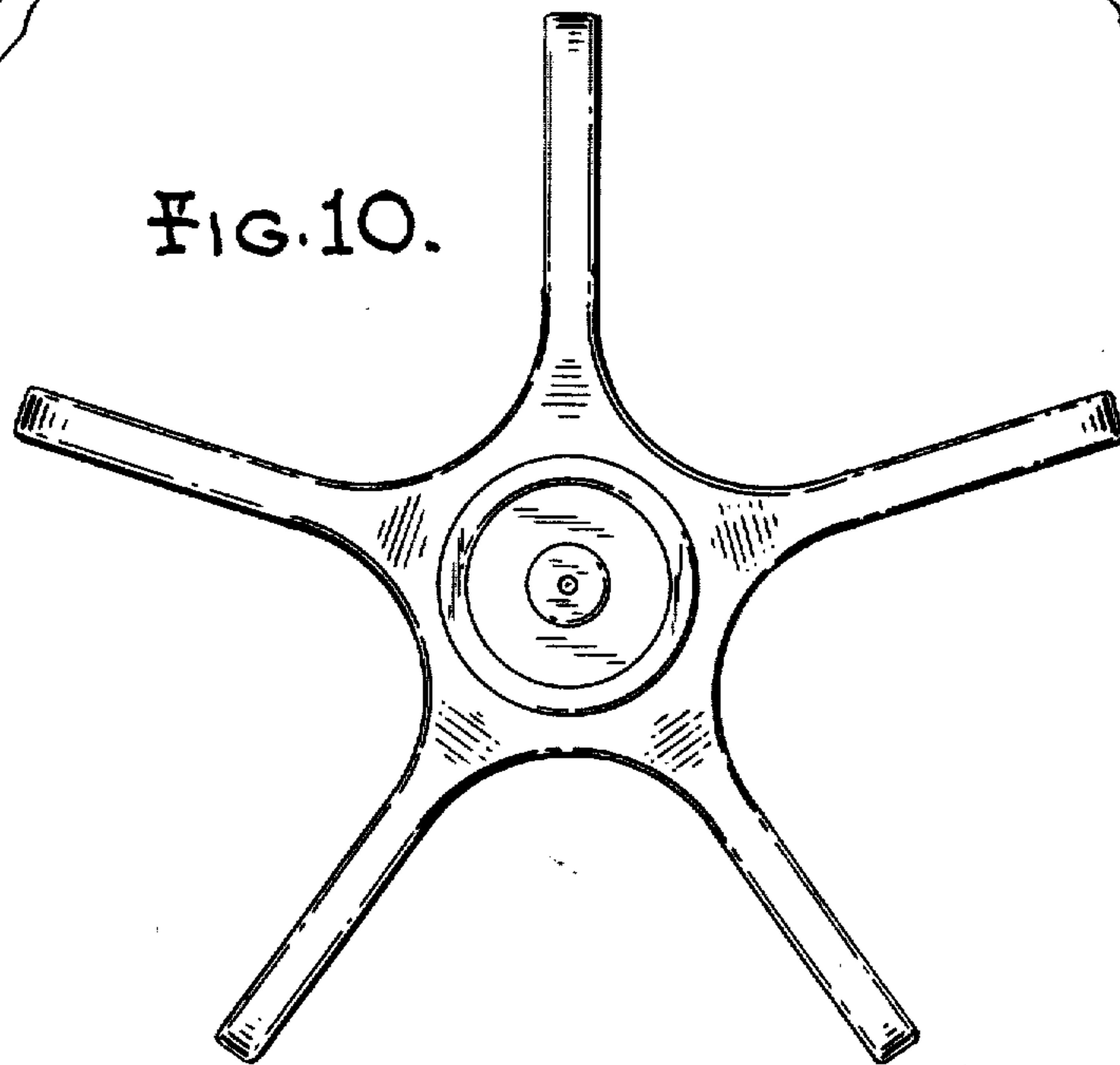


FIG. 11.

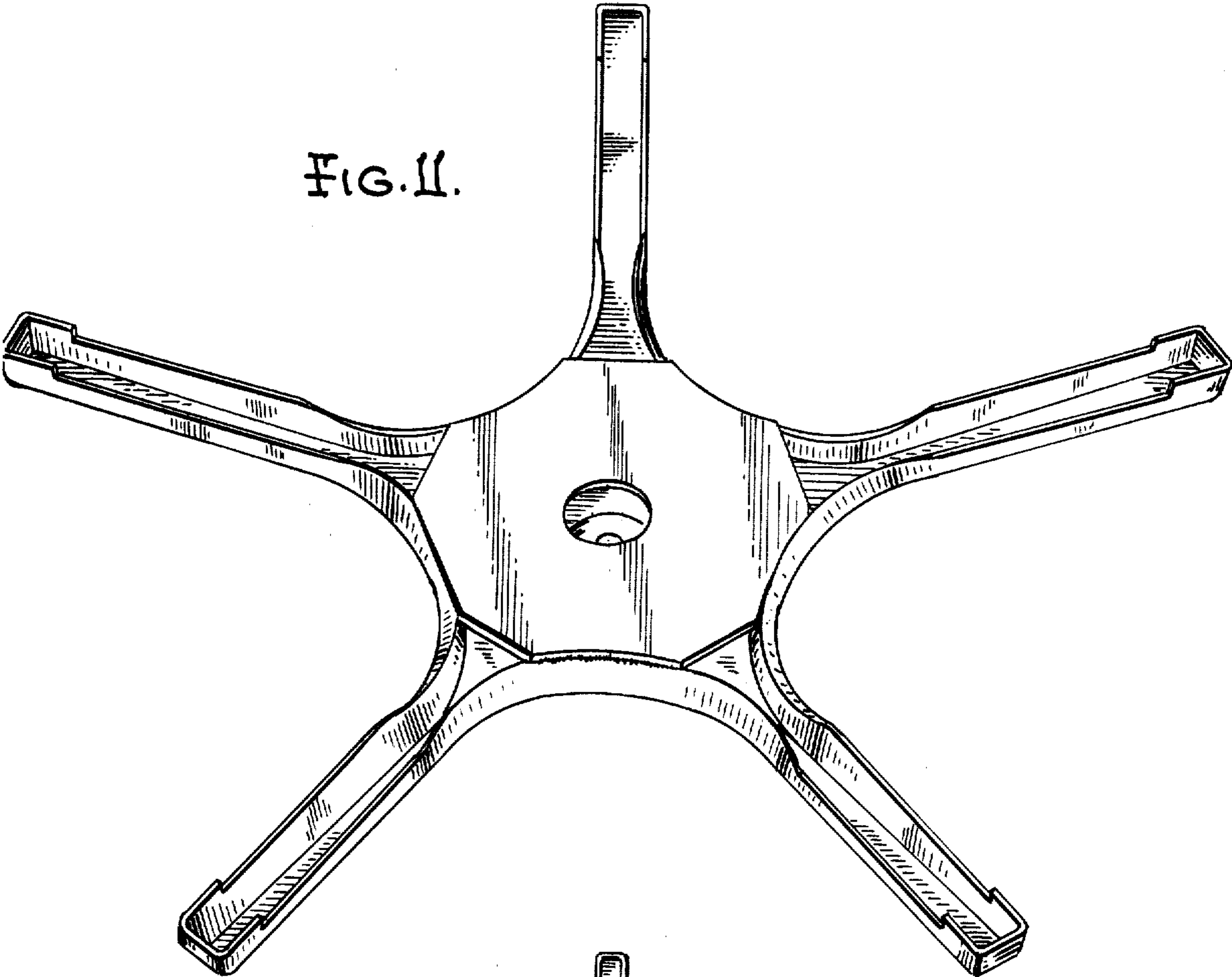


FIG. 12.

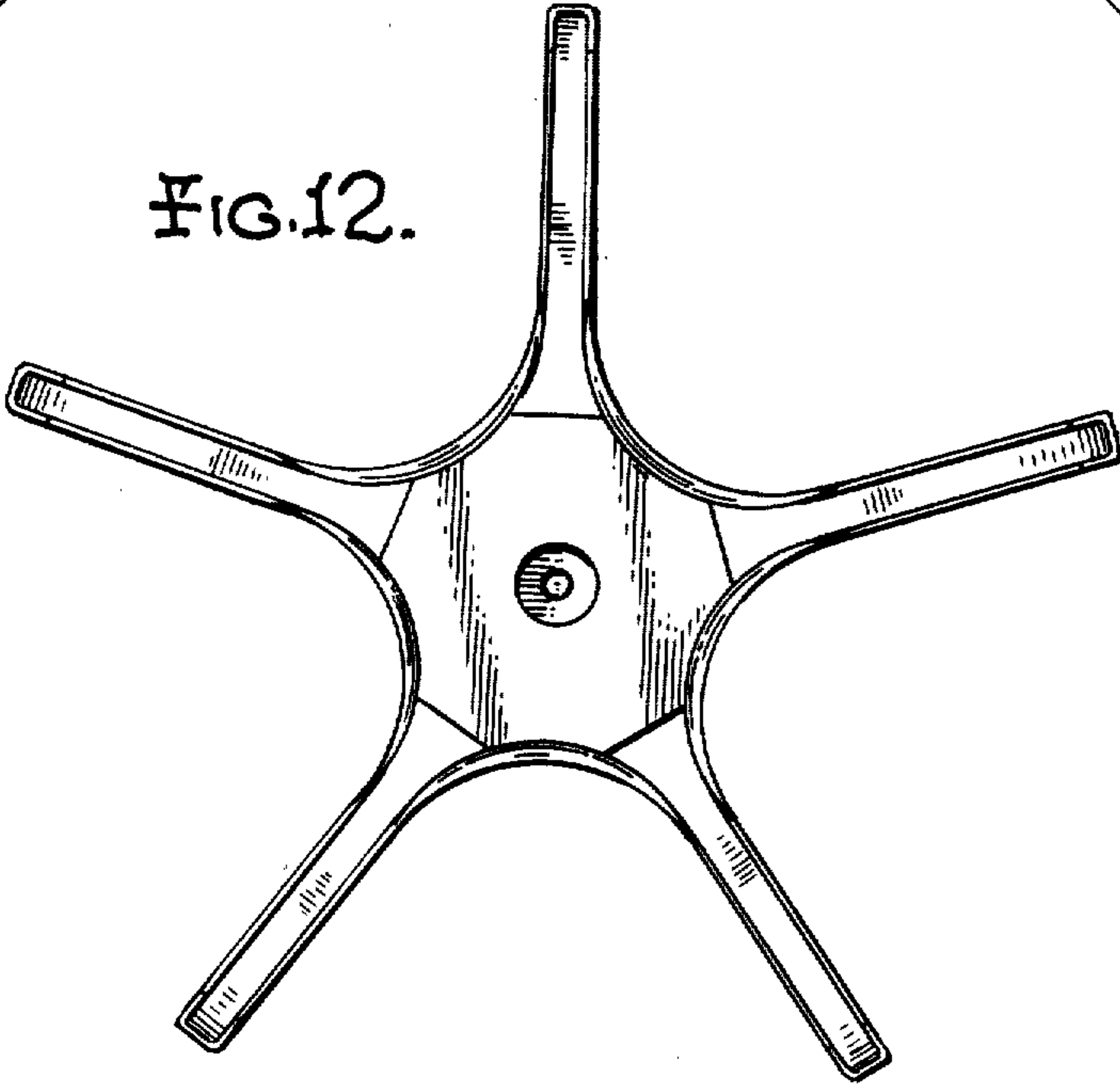


FIG. 13.

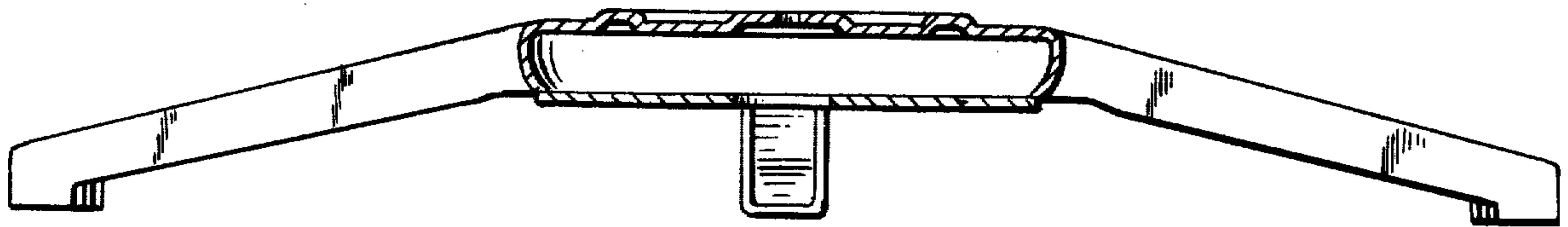


FIG. 14.

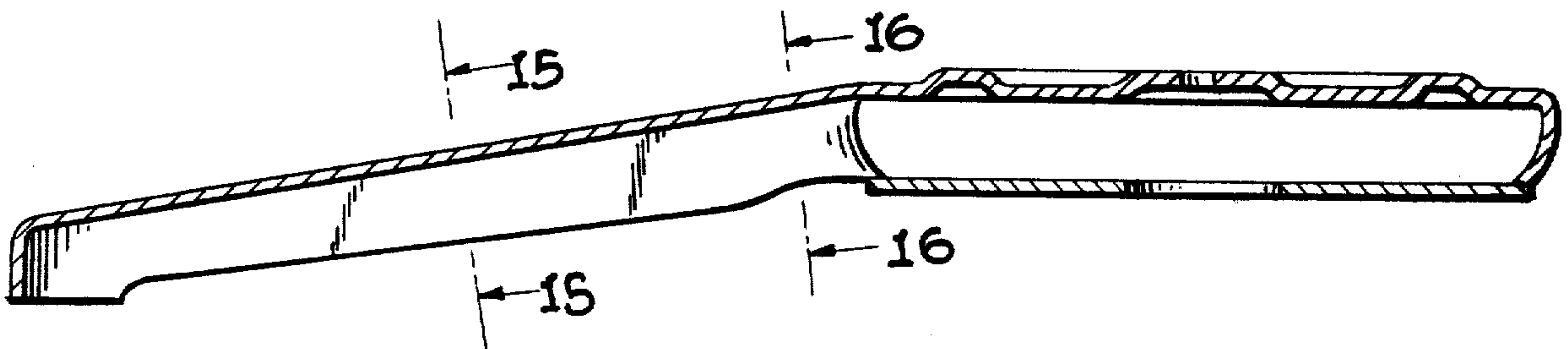


FIG. 15.

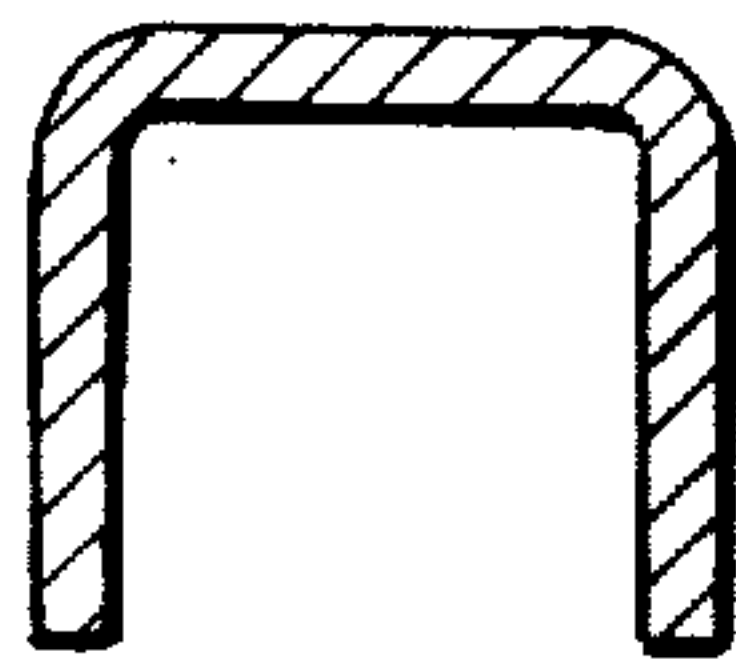


FIG. 16.

