

[54] DISPLAY HOLDER FOR BROCHURES AND THE LIKE

[75] Inventors: Richard M. Liptak, Parma Heights; Robert S. Liptak, Brecksville, both of Ohio

[73] Assignee: Integral Design, Inc., Cleveland, Ohio

[\*\*] Term: 14 Years

[21] Appl. No.: 137,767

[22] Filed: Apr. 7, 1980

[51] Int. Cl. .... D20-02

[52] U.S. Cl. .... D6/184; D6/188

[58] Field of Search ..... D6/1, 85, 140, 157, D6/181, 184, 185, 186, 188, 146, 147, 148, 189; D7/72, 75; D19/75, 78, 85, 86, 90, 91; 40/10 R, 10 D, 124, 124.2, 124.4, 124.1, 904; 206/50, 55, 56, 58; 221/33, 34, 68, 92, 93; 312/42, 50, 59

[56] References Cited

U.S. PATENT DOCUMENTS

D. 39,872 3/1909 Smith ..... D6/188

D. 79,214 8/1929 Sebastian ..... D6/188  
D. 82,276 10/1930 Nichols ..... D6/189  
1,556,514 10/1925 Feldman ..... 211/55

OTHER PUBLICATIONS

"Beemak Plastics" Literature Holders, Aug. 1, 1977, Back cover Holder #R600-4, middle row far left holder; Front Cover Holder A, far left third from bottom.

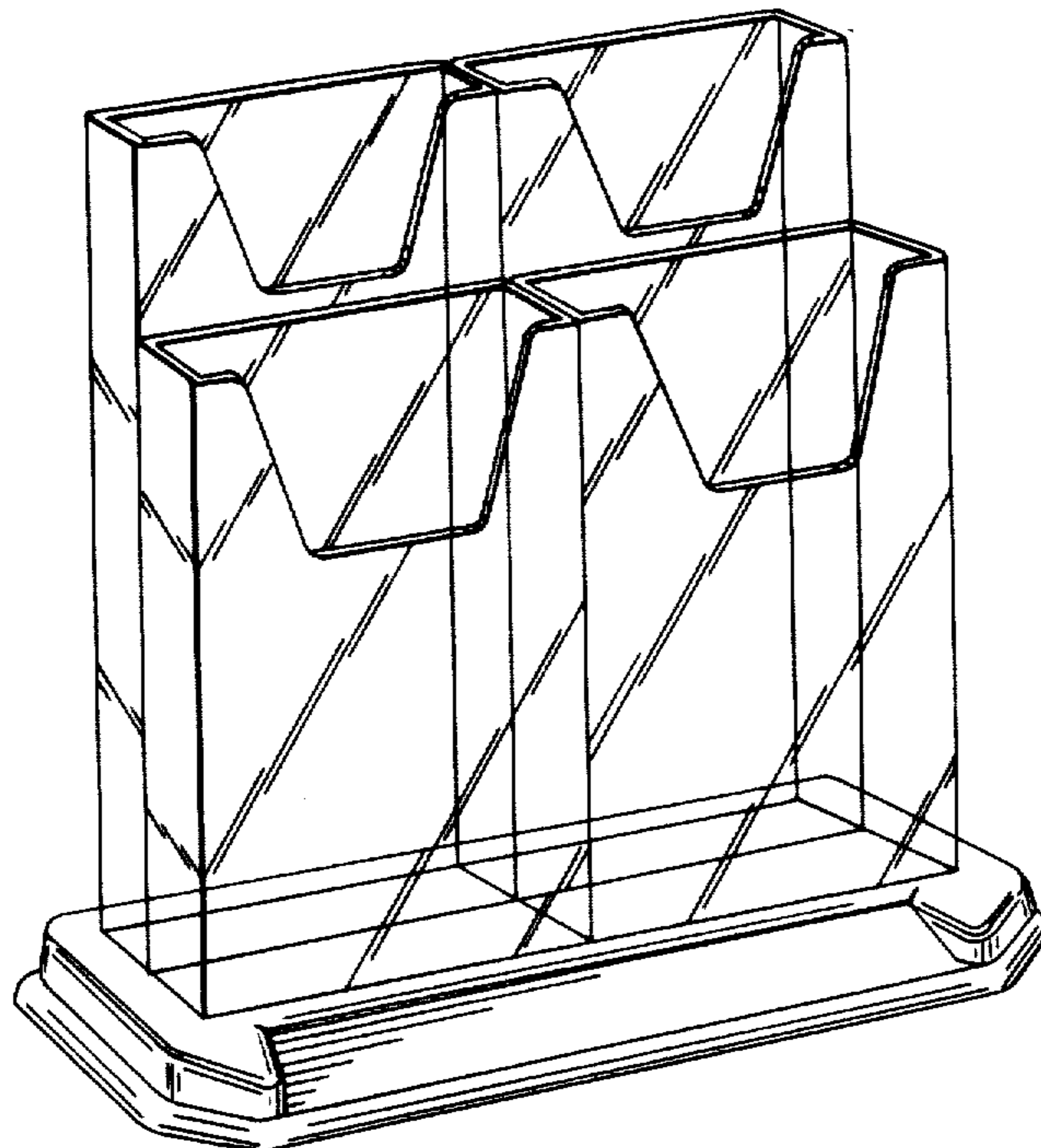
Primary Examiner—Joel Stearman  
Assistant Examiner—Carmen H. Vales  
Attorney, Agent, or Firm—Pearne, Gordon, Sessions, McCoy & Granger

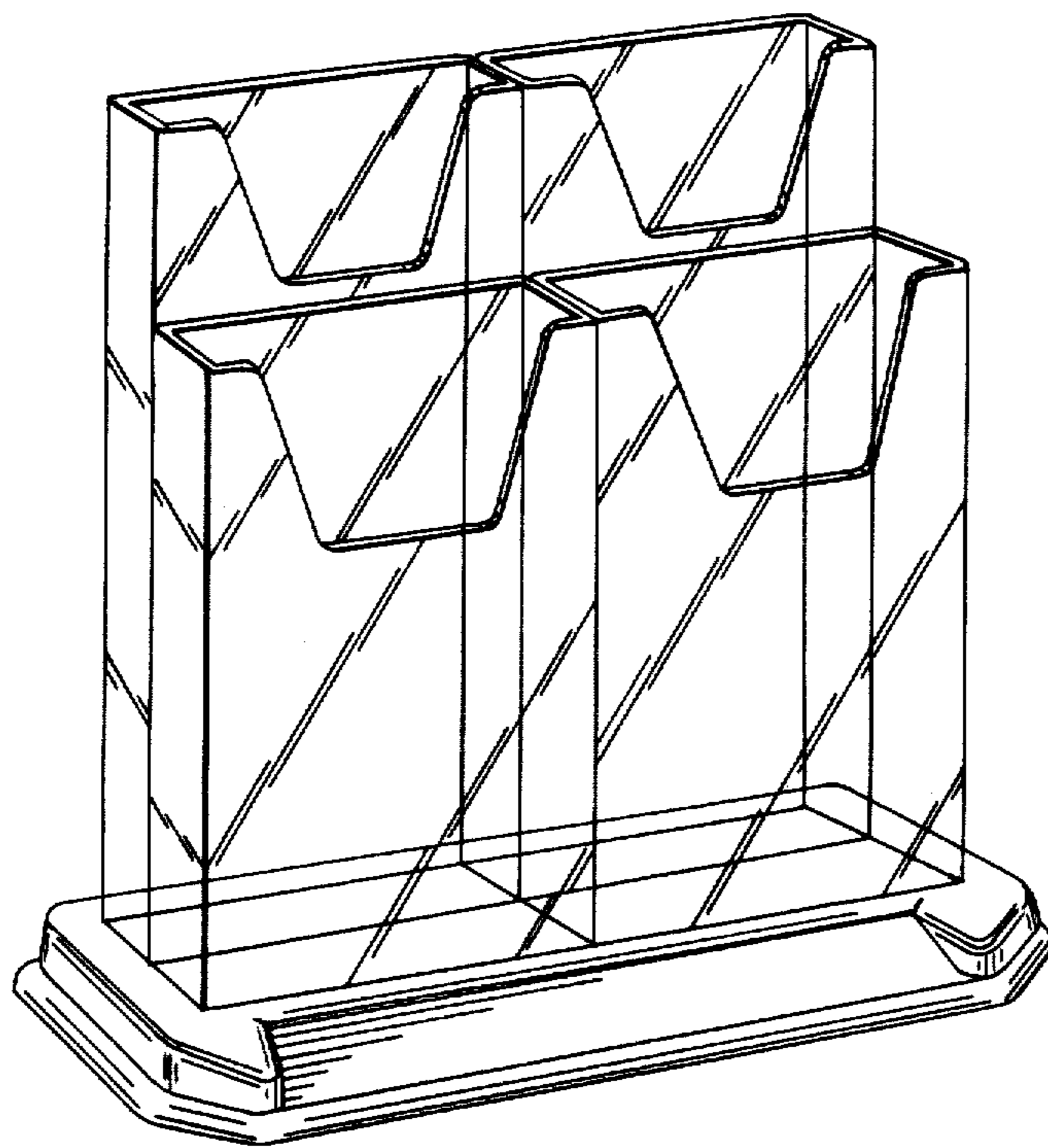
[57] CLAIM

The ornamental design for a display holder for brochures and the like, as shown and described.

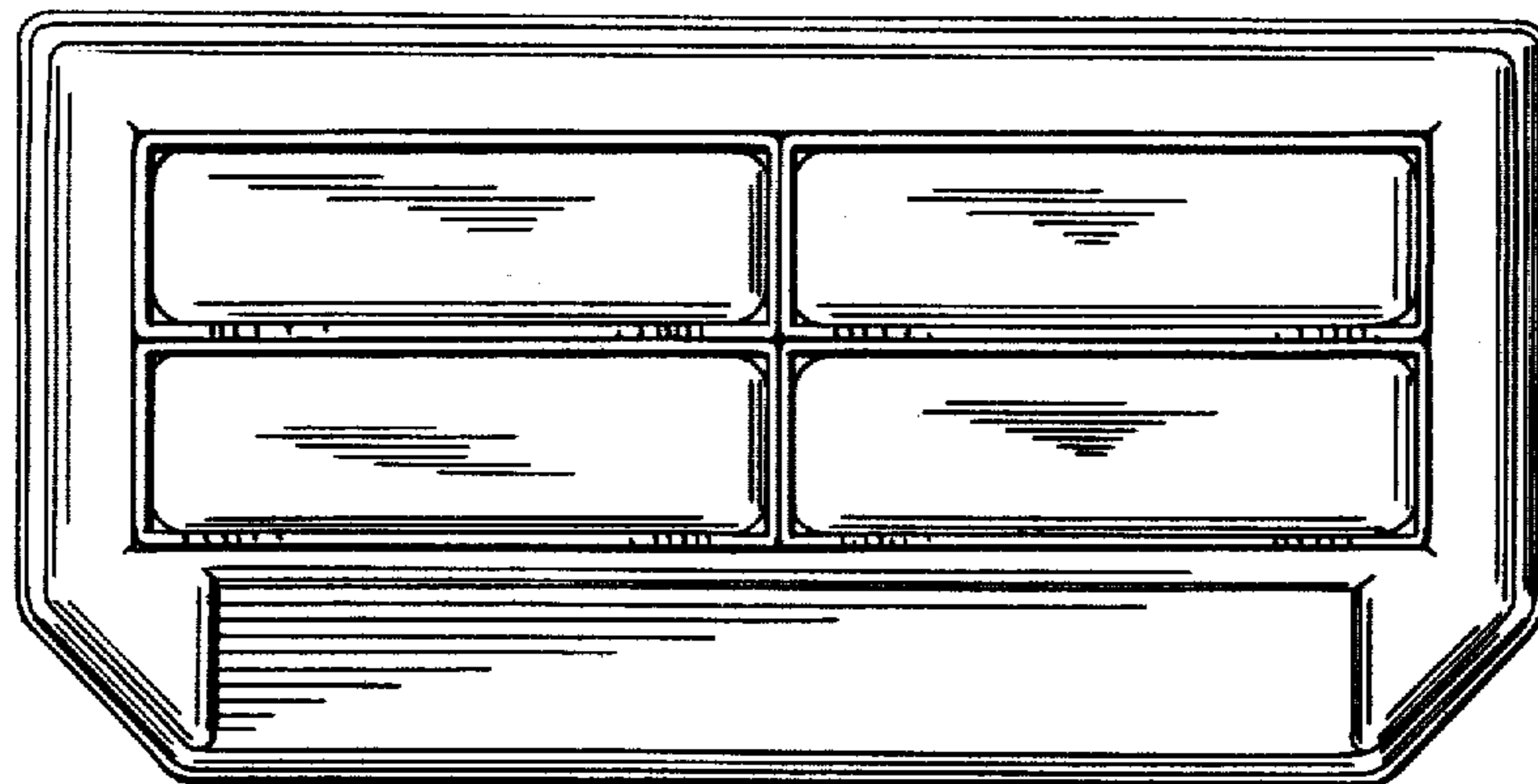
DESCRIPTION

FIG. 1 is a perspective view of the display holder for brochures and the like showing our new design. FIG. 2 is a top plan view thereof. FIG. 3 is a front elevational view thereof. The bottom view of the holder is plain and unornamental.

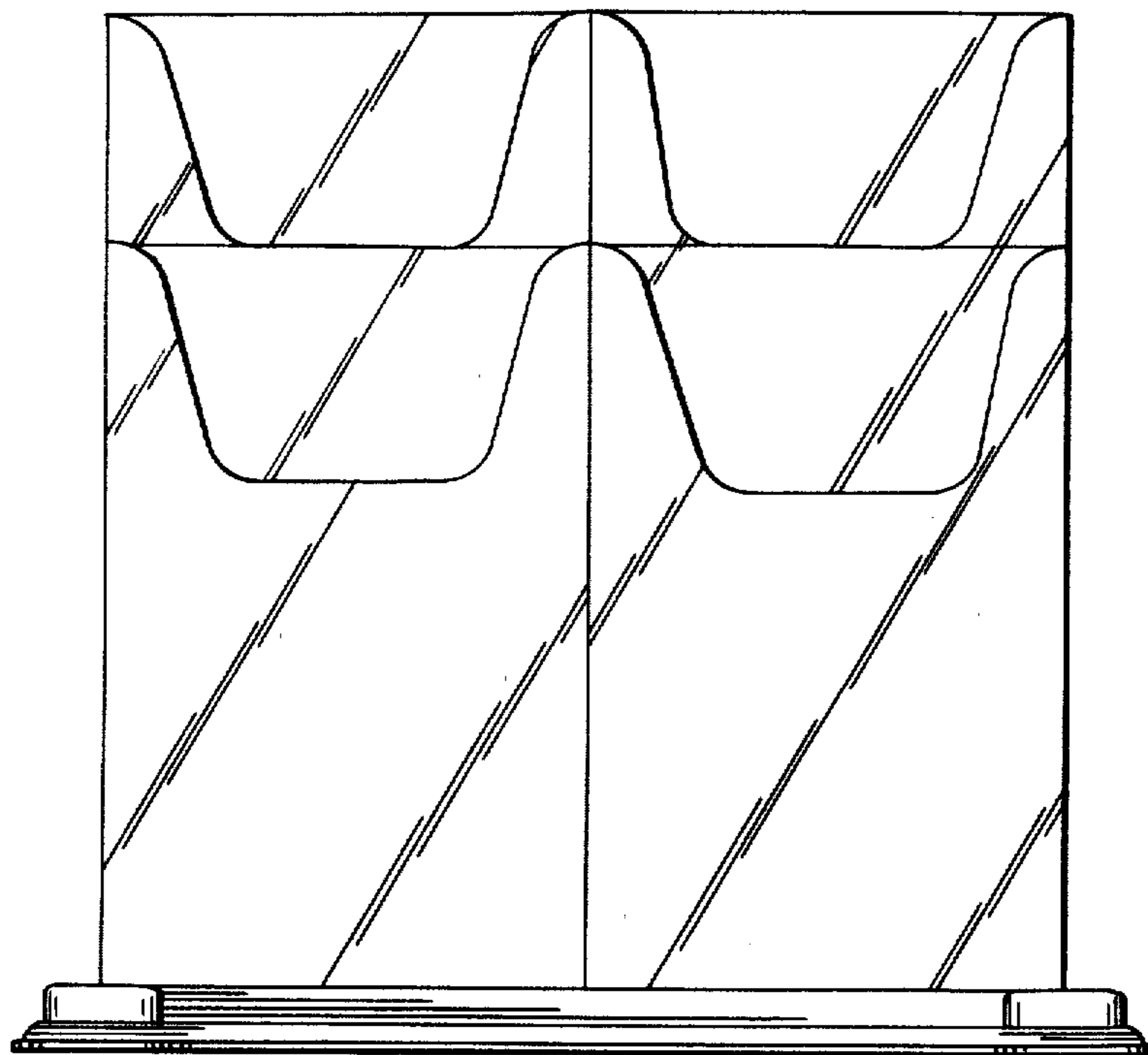




*Fig. 1*



*Fig. 2*



*Fig. 3*