

[54] CONTAINER FOR FILING CARDS AND THE LIKE

D. 198,425 6/1964 Nupp ..... D3/73  
D. 202,322 9/1965 Kelley ..... D3/73  
D. 260,454 9/1981 Pepicelli et al. .... D3/73  
4,164,309 8/1979 Staats ..... 206/425

[75] Inventor: Merlin Cline, Etobicoke, Canada

[73] Assignee: Madison Marketing Limited, Toronto, Canada

[\*\*] Term: 14 Years

Primary Examiner—George P. Word  
Attorney, Agent, or Firm—Rogers, Bereskin & Parr

[21] Appl. No.: 160,242

[57] CLAIM

The ornamental design for a container for filing cards and the like, as shown and described.

[22] Filed: Jun. 17, 1980

DESCRIPTION

[51] Int. Cl. .... D3—02

[52] U.S. Cl. .... D3/73; D3/33; D3/35

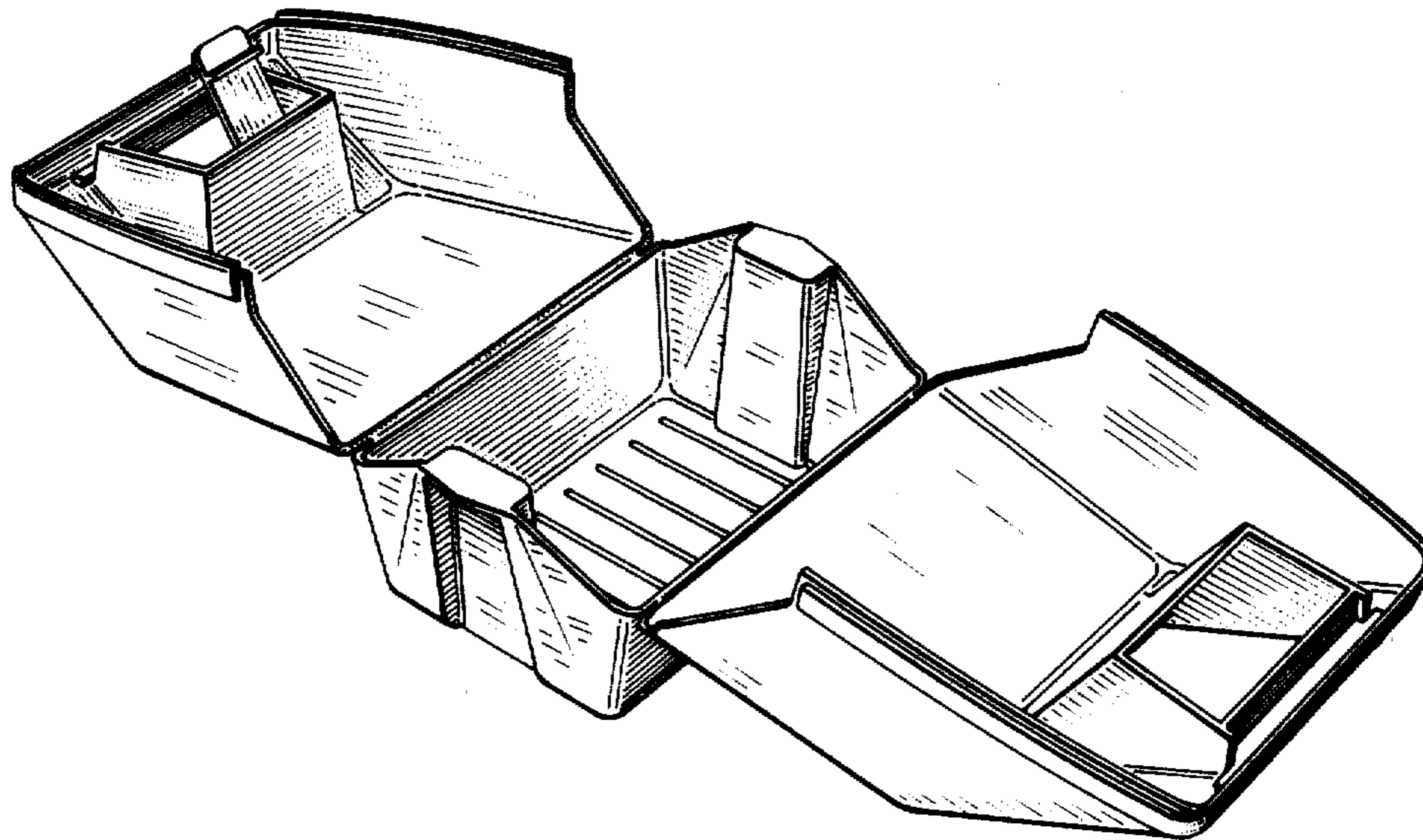
[58] Field of Search ..... D3/30.1, 36, 35, 73, D3/74, 76; 206/387, 425; D7/76-78; 22/339, 318; D9/421; D17/90, 75, 76

FIG. 1 is a perspective view of a container for filing cards and the like showing my new design; FIG. 2 is a bottom perspective view thereof from the opposite end; FIG. 3 is an end elevational view thereof; FIG. 4 is a side elevational view thereof; FIG. 5 is a top perspective view thereof in the open position; FIG. 6 is a bottom perspective view thereof; FIG. 7 is an end elevational view thereof; and FIG. 8 is a top plan view thereof.

[56] References Cited

U.S. PATENT DOCUMENTS

D. 180,490 6/1957 Lunan ..... D3/73



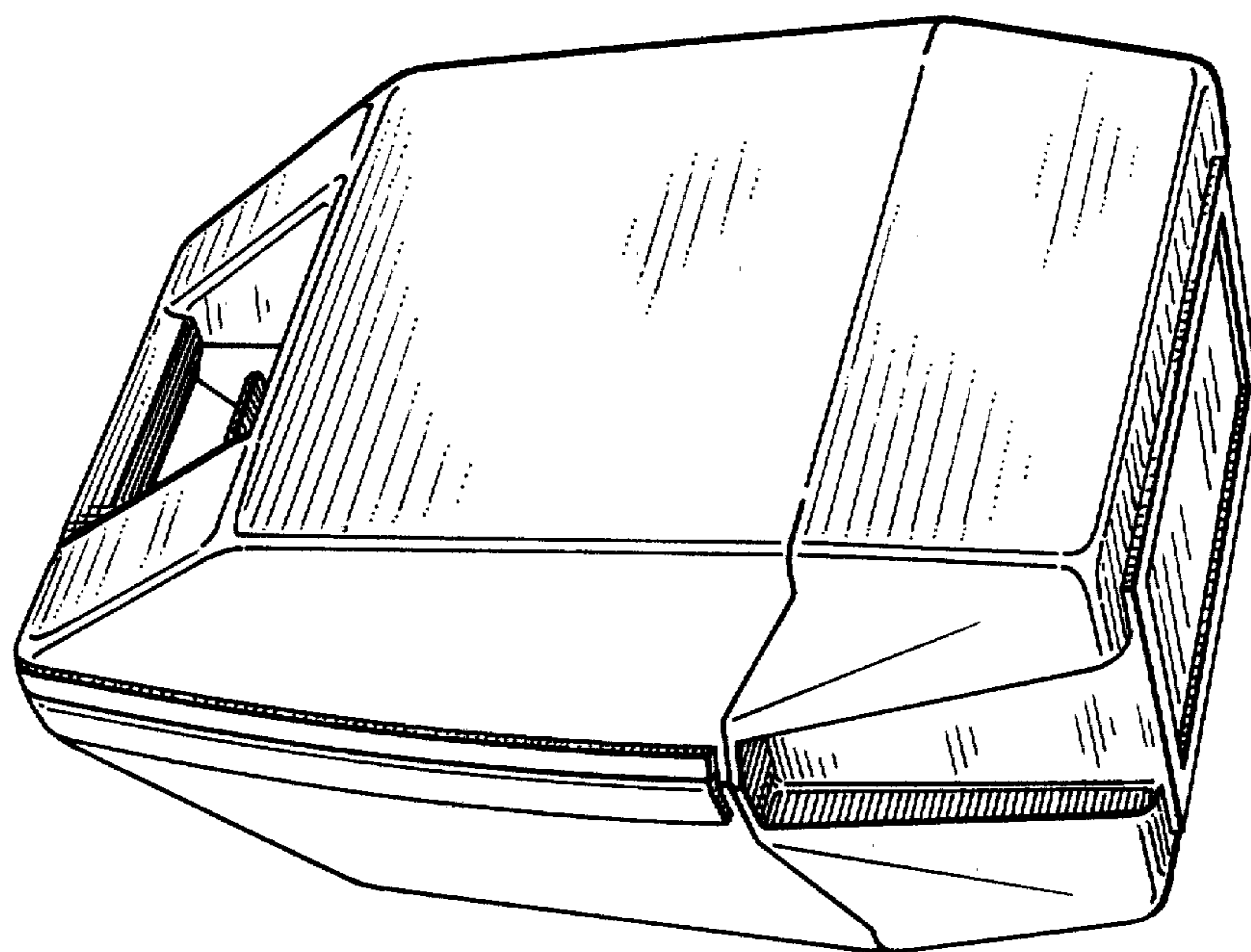


FIG. 2

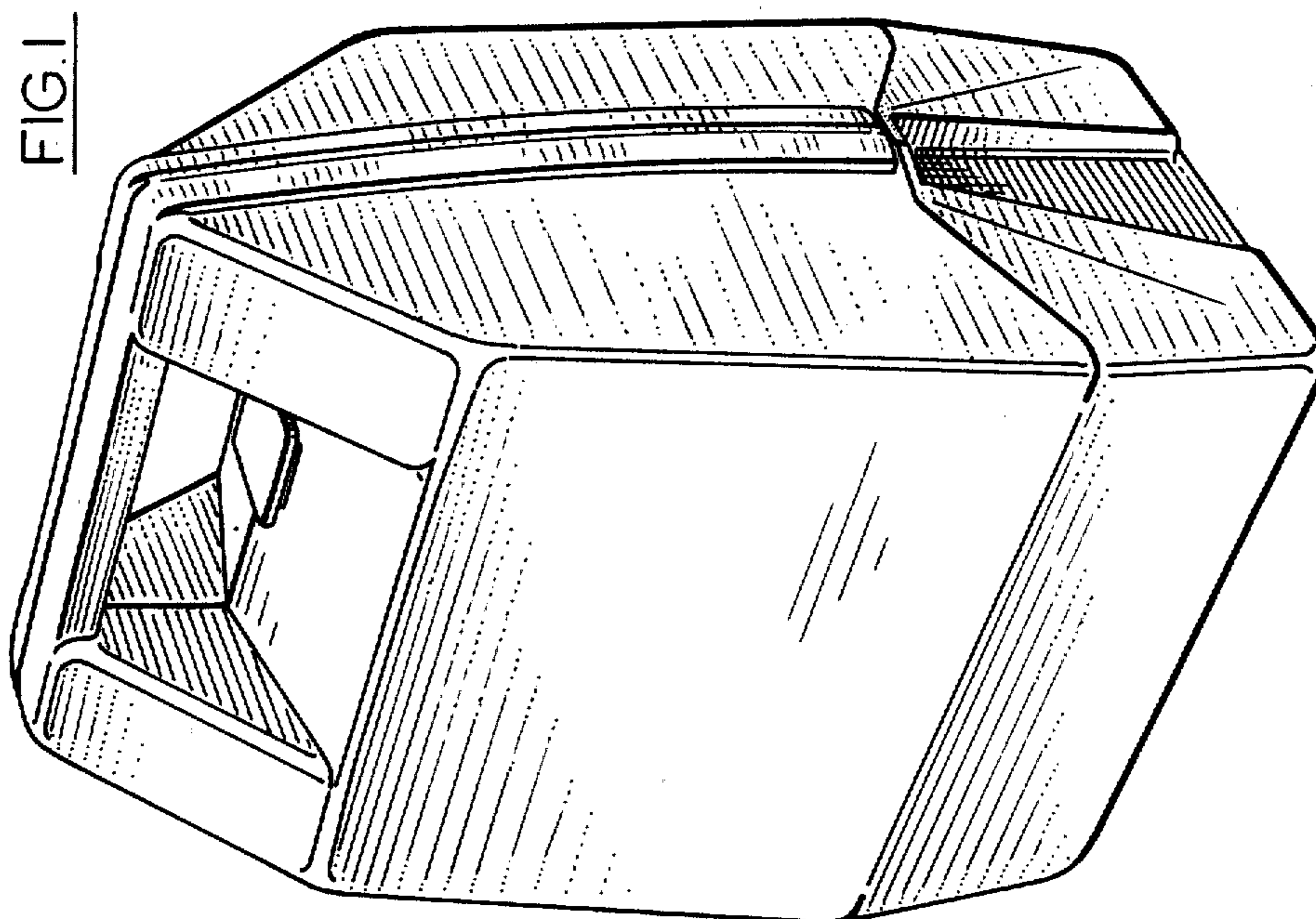


FIG. 1

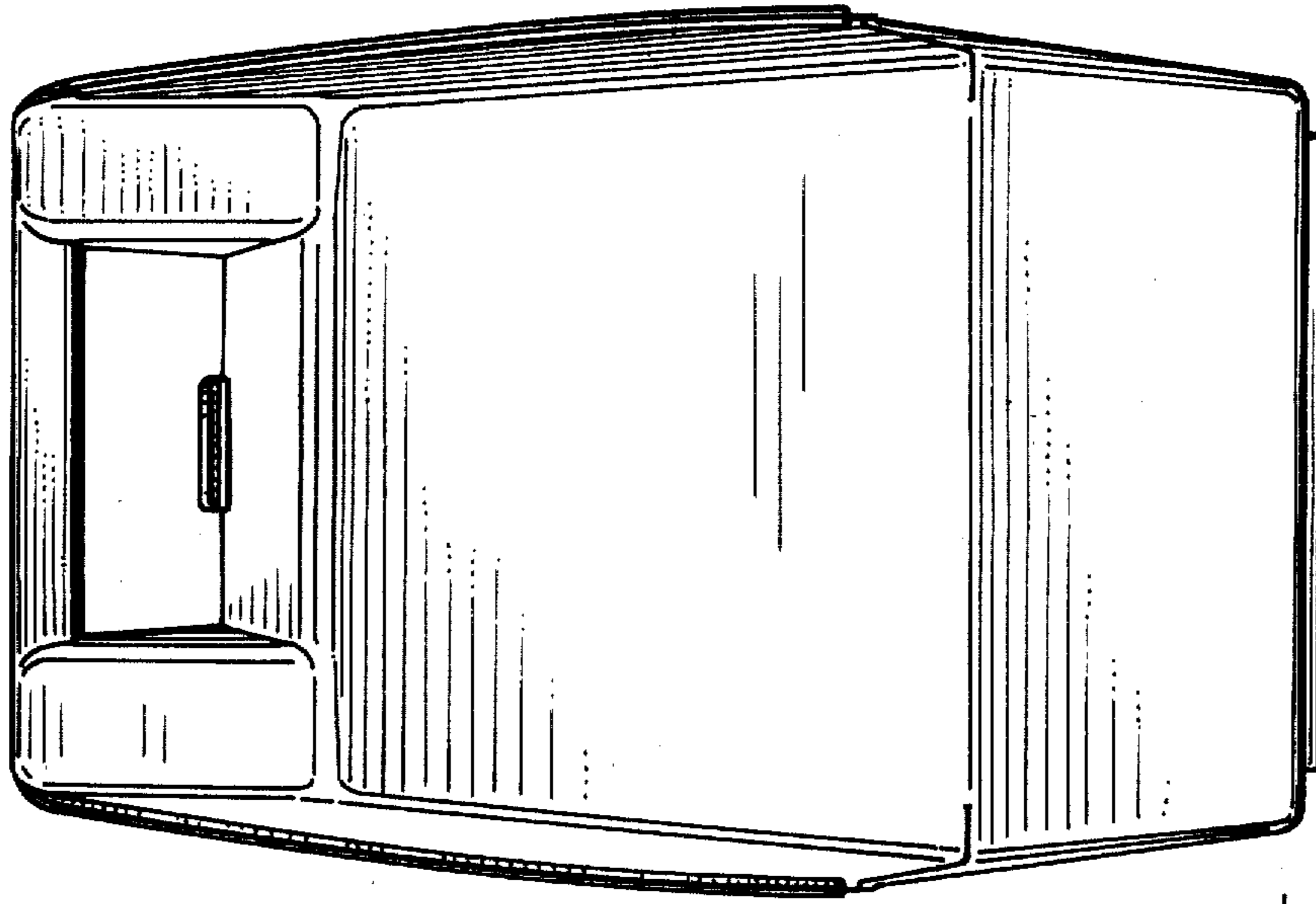


FIG. 4

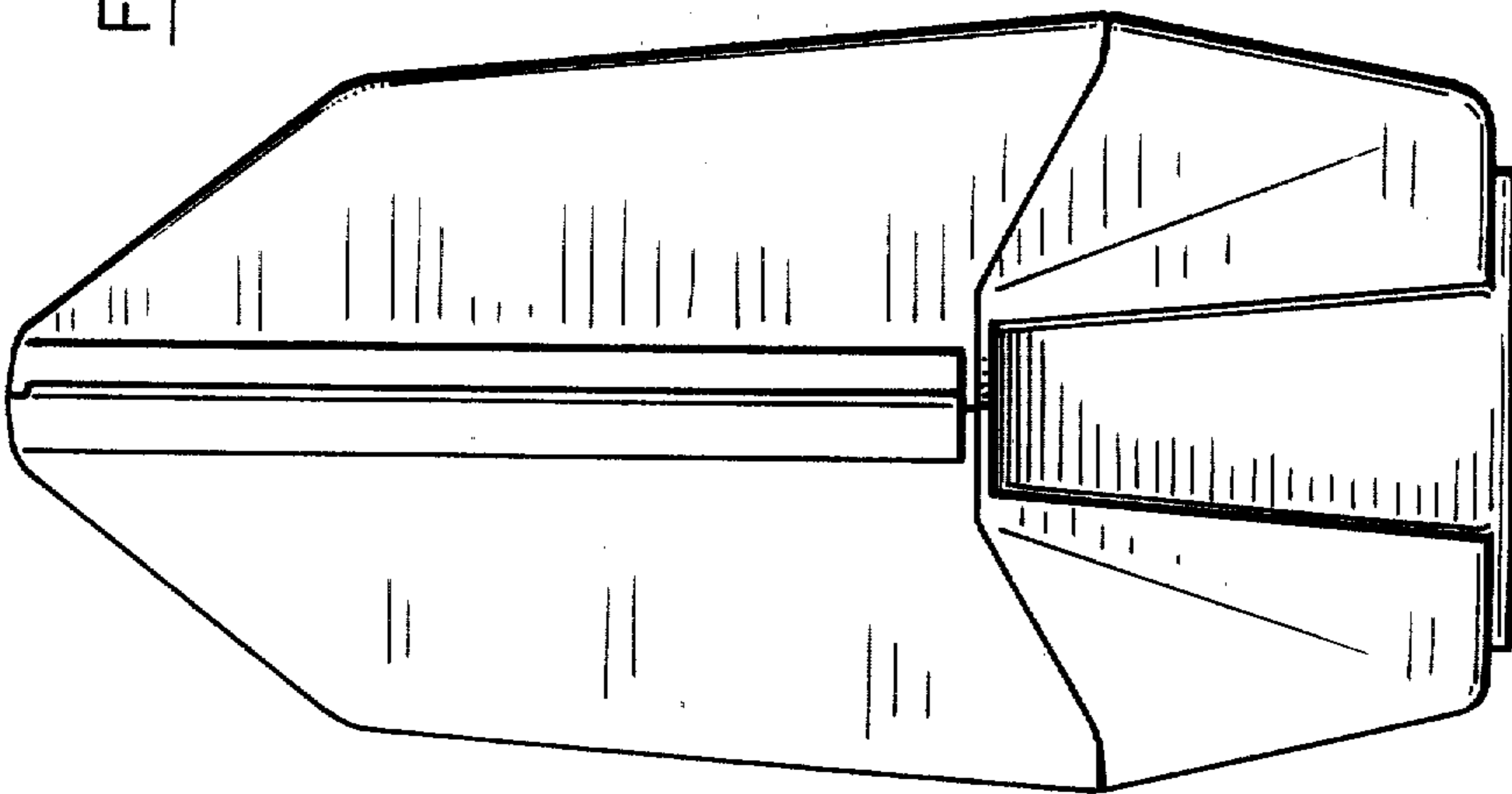


FIG. 3

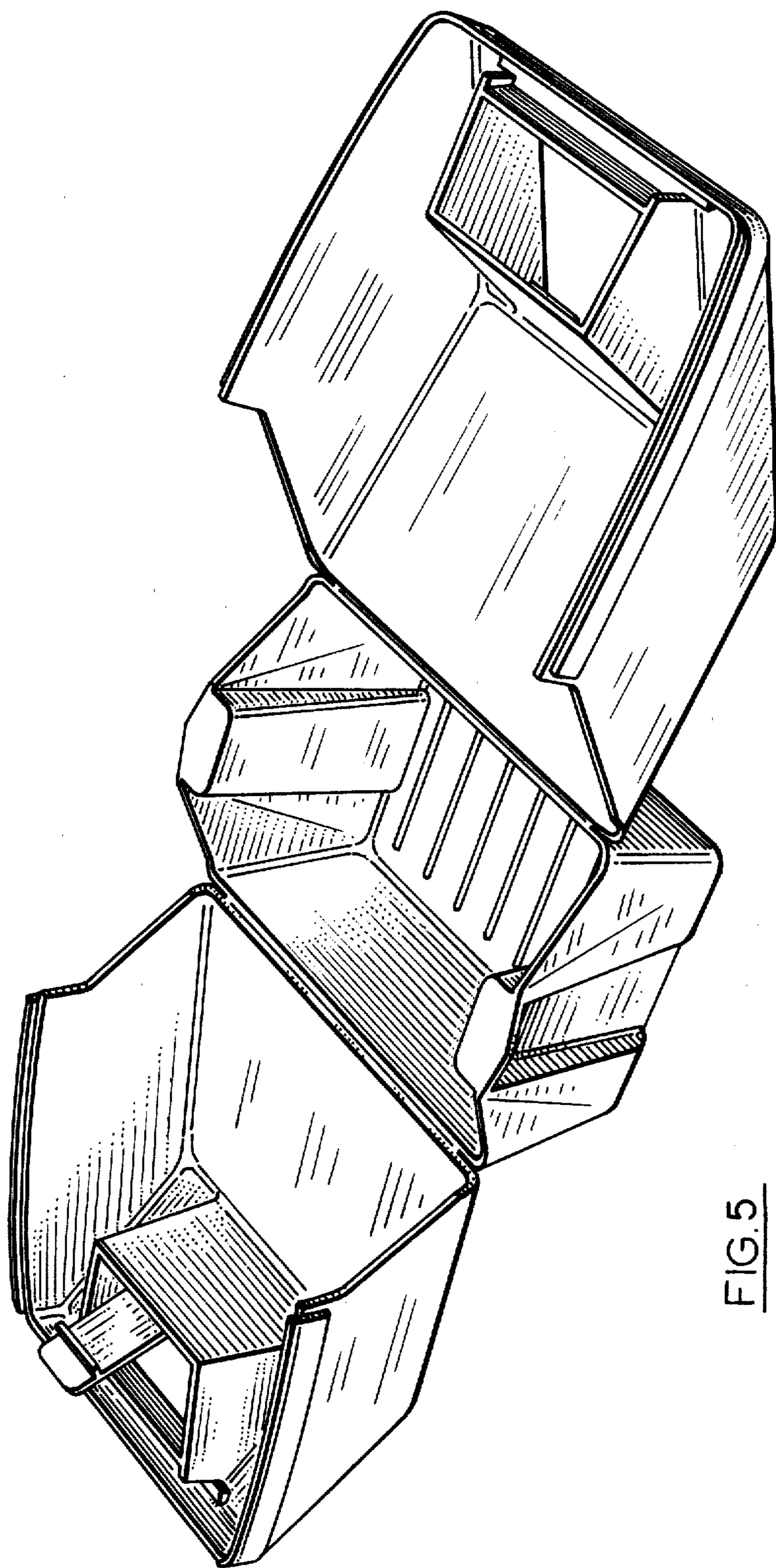


FIG. 5

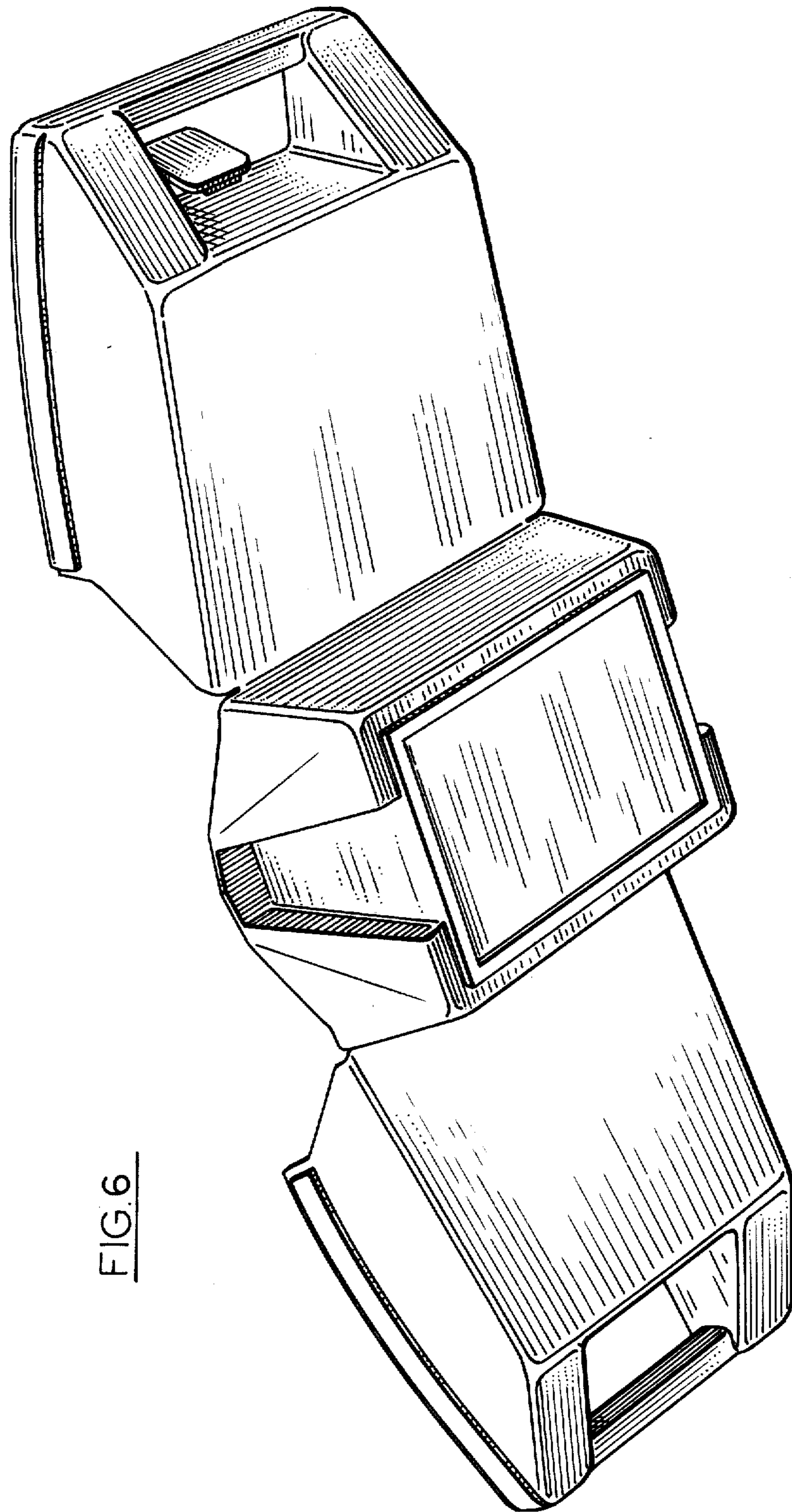


FIG. 6

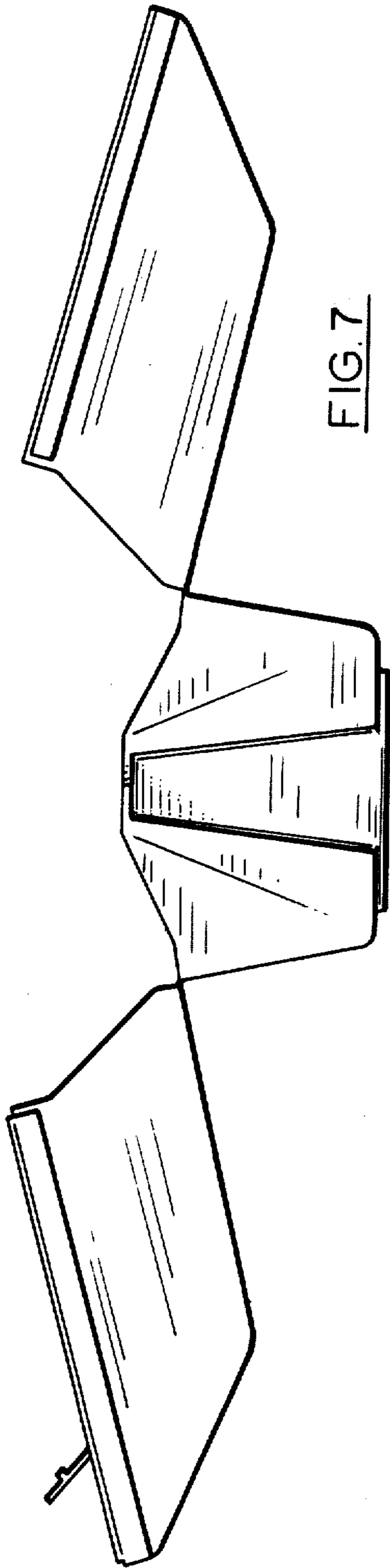


FIG. 7

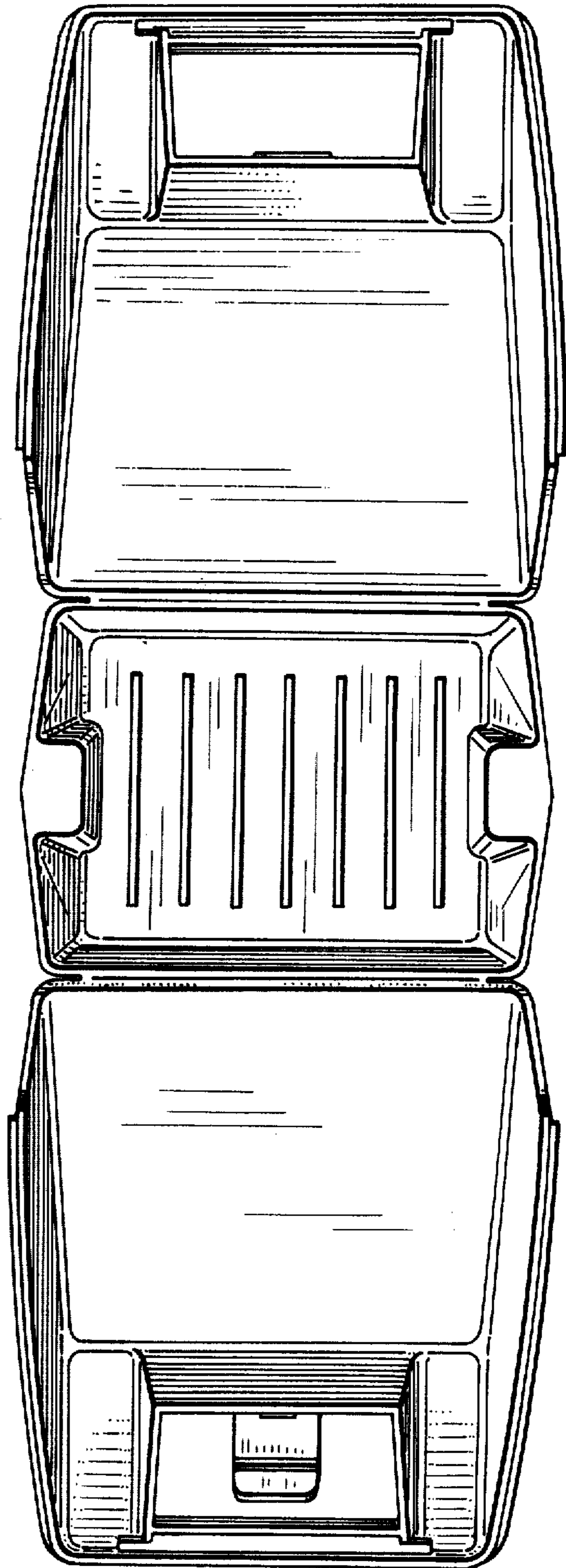


FIG. 8