

[54] DUST FREE LOADING APPARATUS

[76] Inventor: Ron Pair, 24112 Harper Ave., St. Clair Shores, Mich. 48080

[**] Term: 14 Years

[21] Appl. No.: 152,787

[22] Filed: May 23, 1980

[51] Int. Cl. D12-05

[52] U.S. Cl. D34/28

[58] Field of Search D34/28; D15/10; 414/289, 291

[56] References Cited

U.S. PATENT DOCUMENTS

3,881,610 5/1975 Hessling 414/289
4,252,493 2/1981 Ilse 414/291

OTHER PUBLICATIONS

Midwest International Advertising Flyer ©1978, Dust Free Loading Spout.

Midwest International Advertising Flyer, Dust Free Loading Equipment.

Primary Examiner—James M. Gandy

Attorney, Agent, or Firm—John F. Rohe

[57] CLAIM

The ornamental design for a dust free loading apparatus, as shown and described.

DESCRIPTION

FIG. 1 is a front elevational view of a dust free loading apparatus showing my new design;

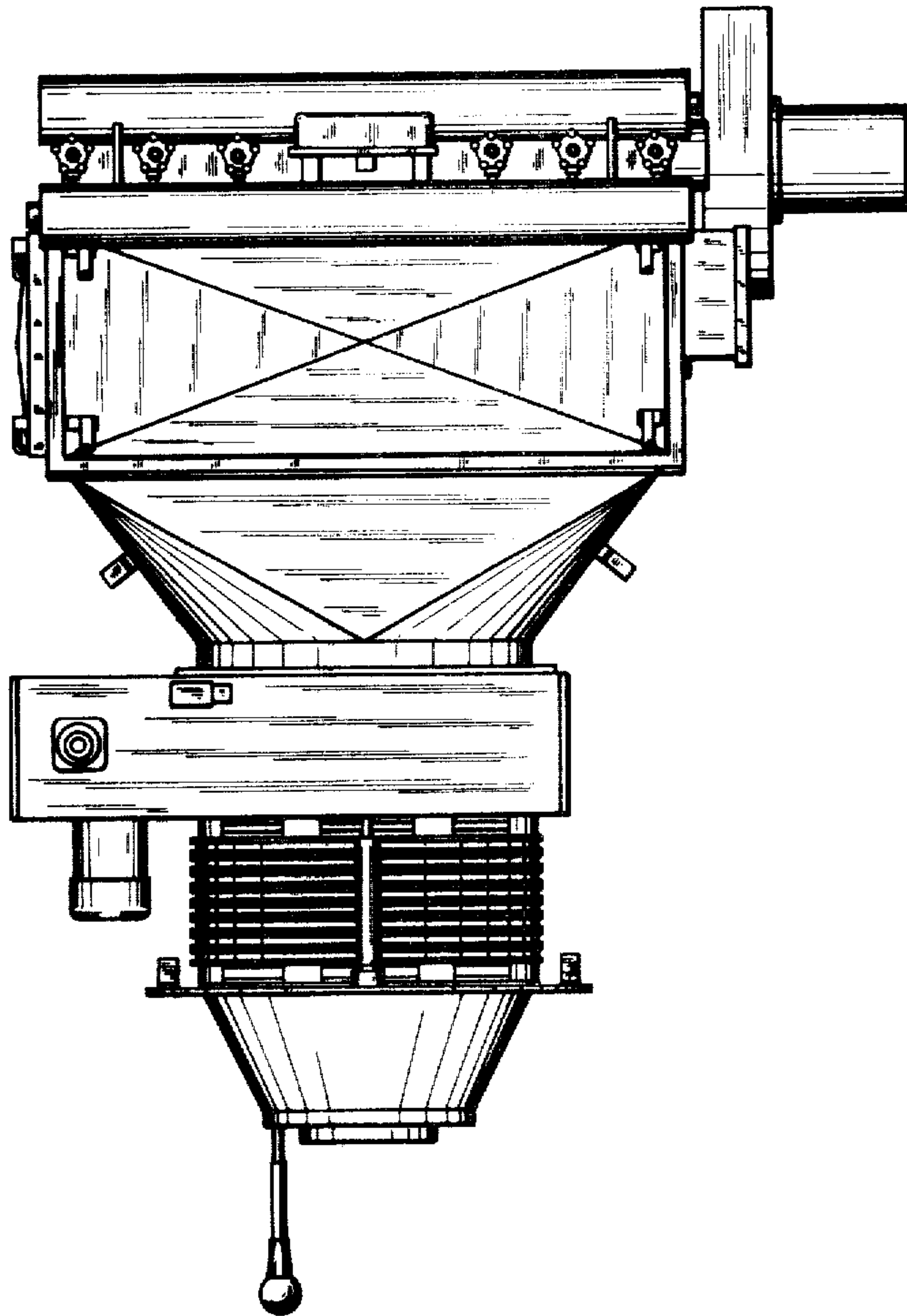
FIG. 2 is a right side elevational view thereof;

FIG. 3 is a rear elevational view thereof;

FIG. 4 is a left side elevational view thereof;

FIG. 5 is a top plan view thereof; and

FIG. 6 is a bottom plan view thereof.



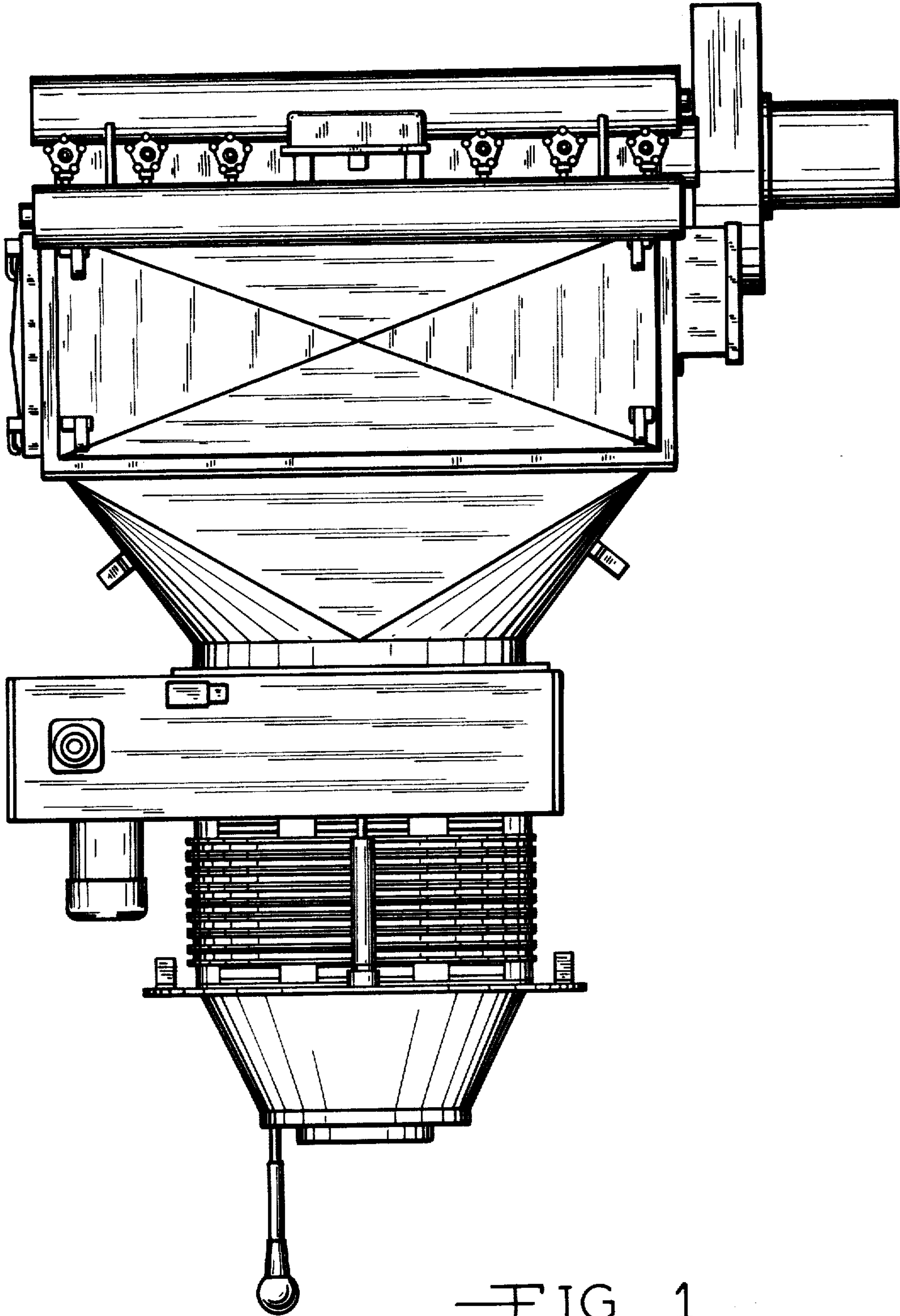
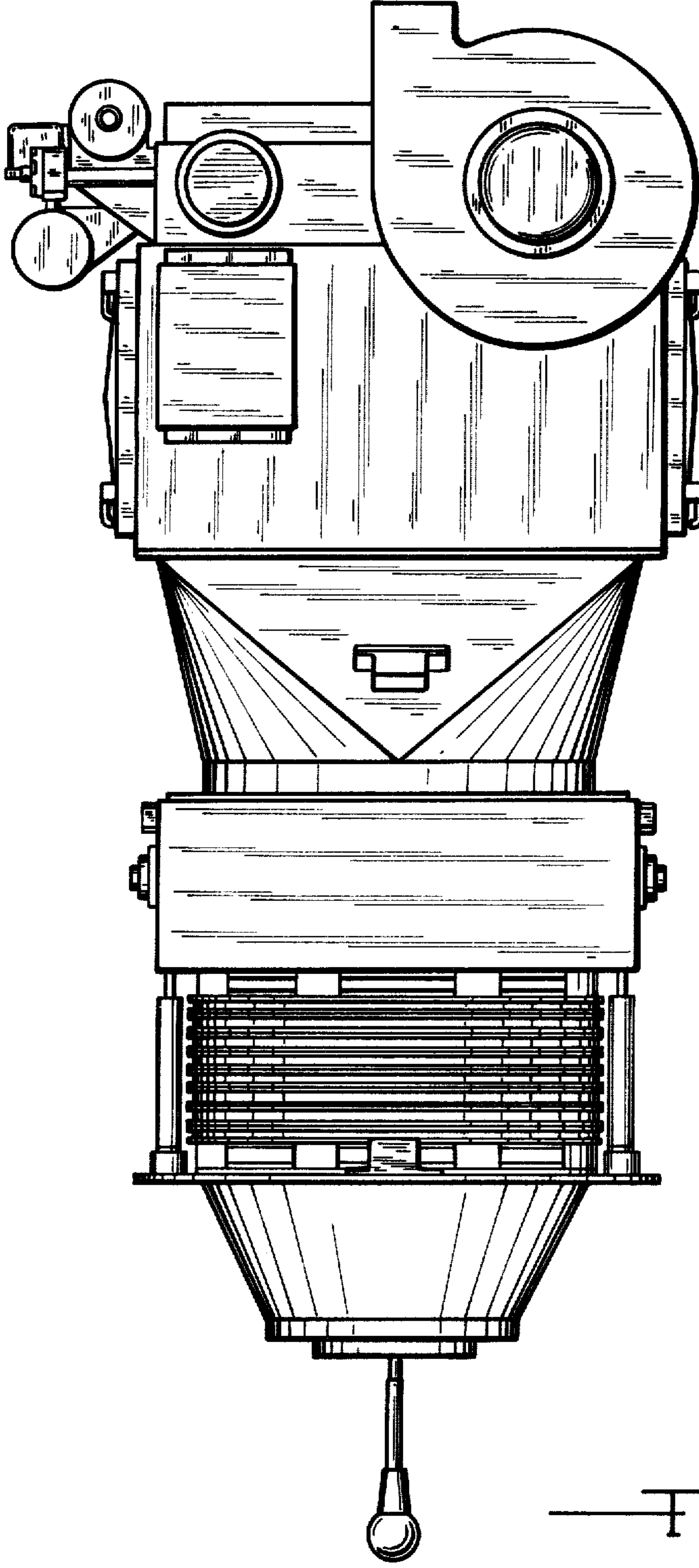


FIG. 1



—FIG. 2

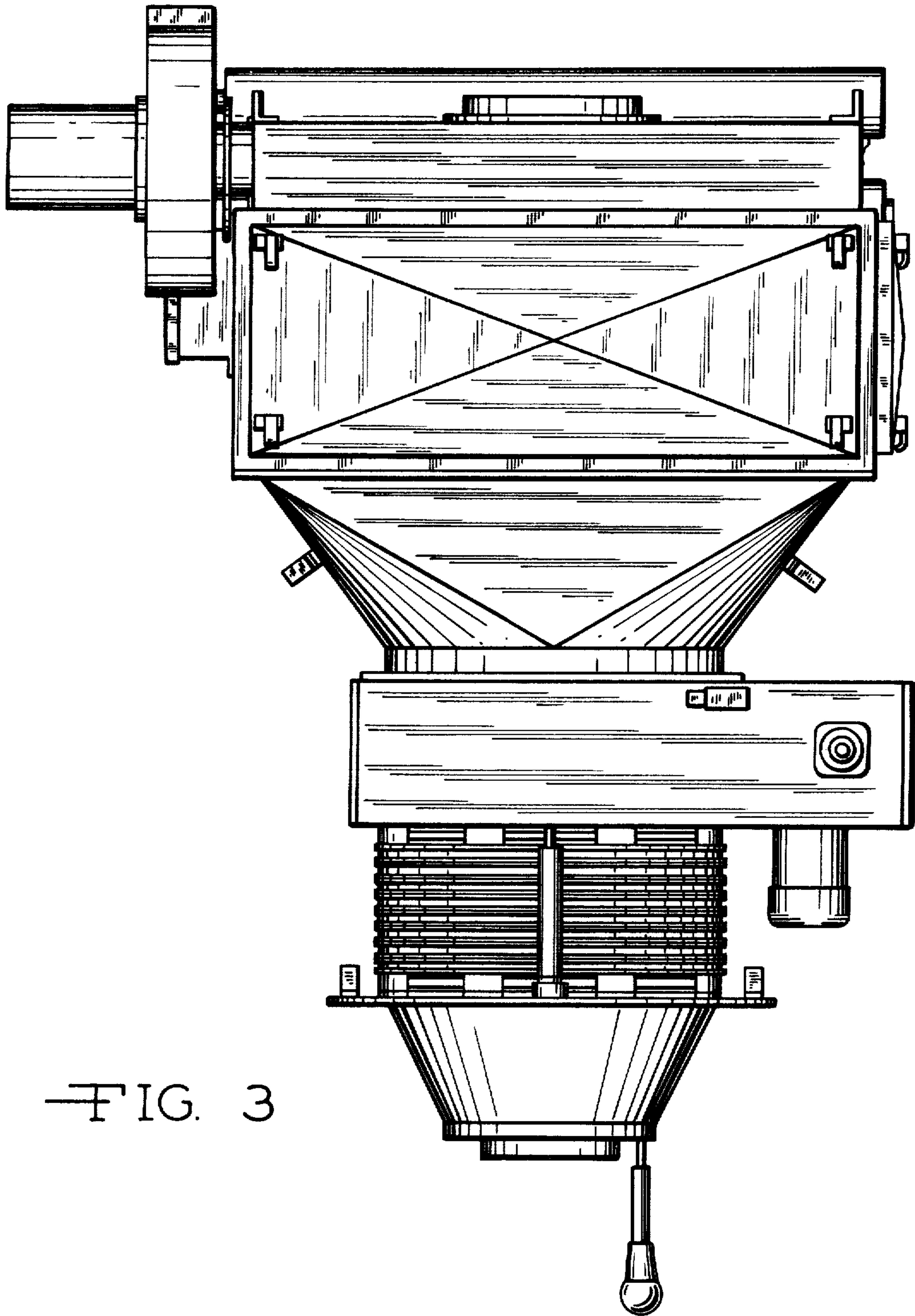


FIG. 3

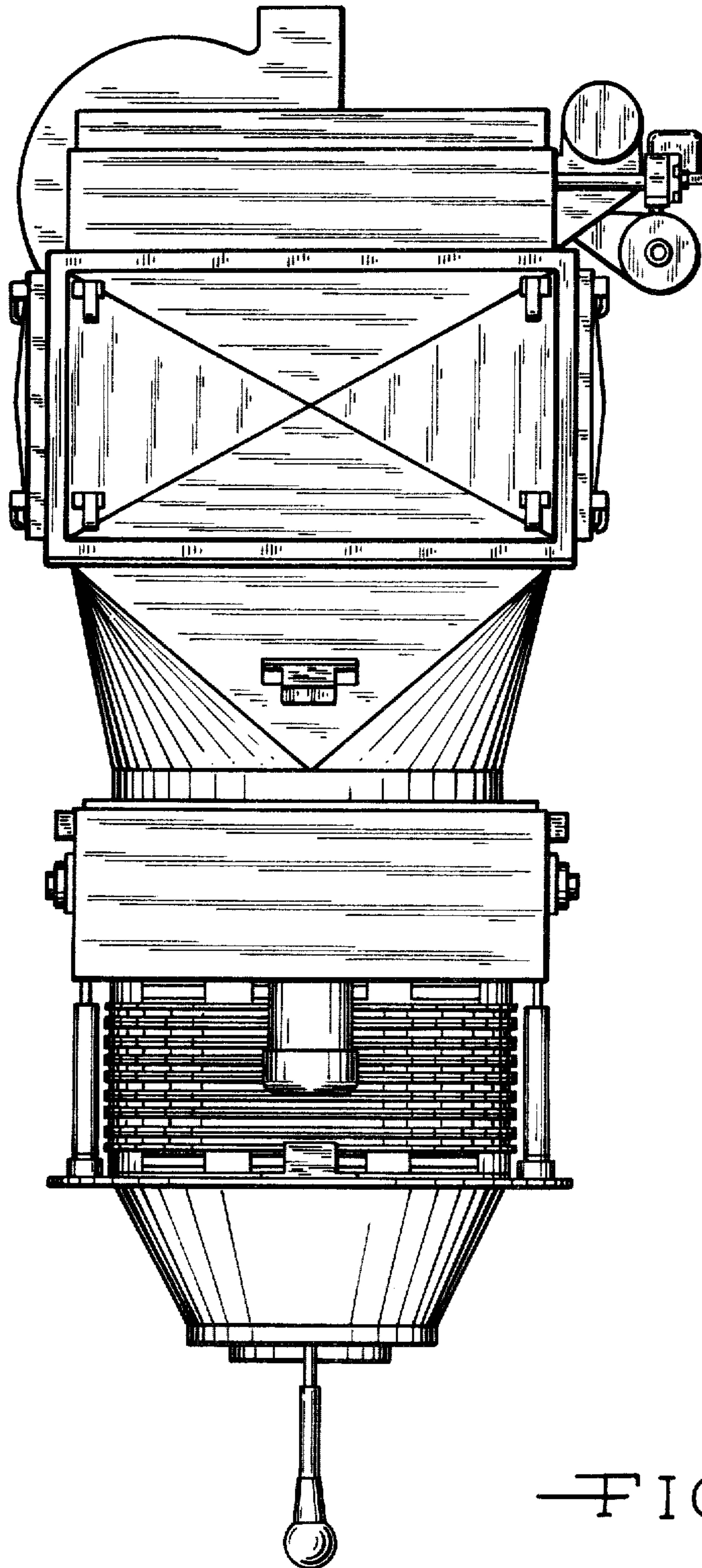
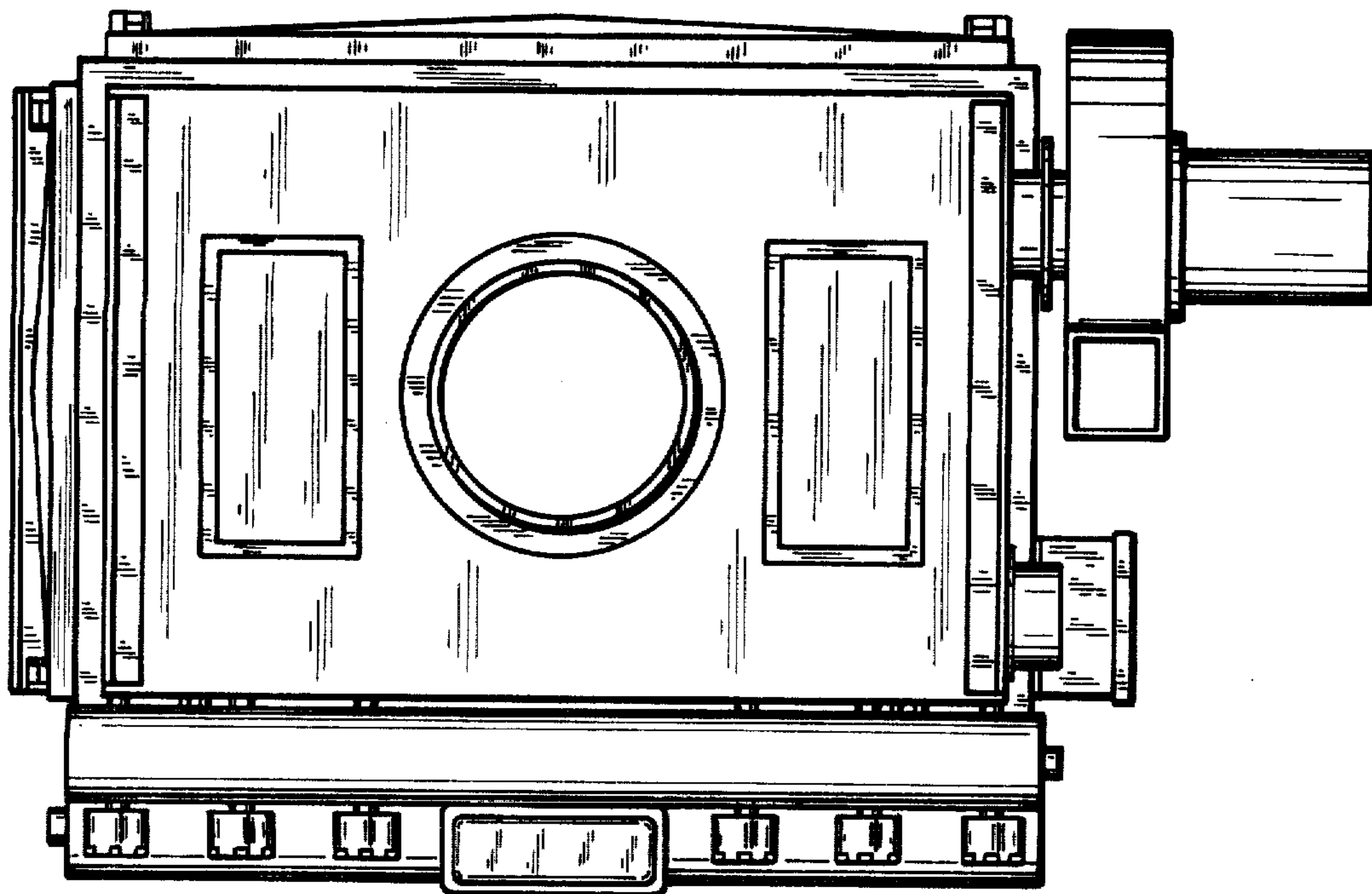
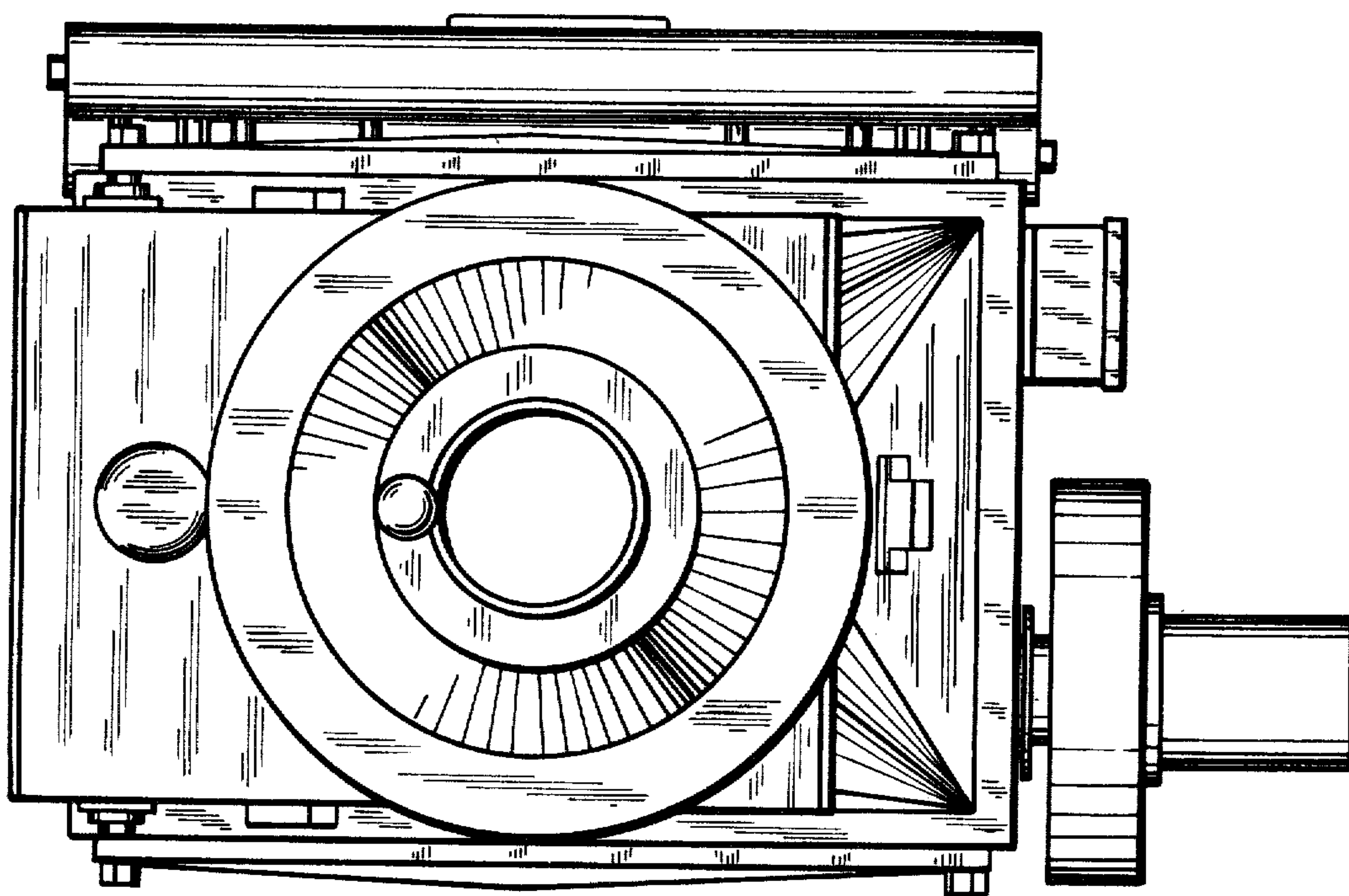


FIG. 4



—FIG. 5



—FIG. 6