

[54] **MOBIL HORSE FOR TRANSPORTING LEATHER**

[76] Inventor: **Hugh F. Carville**, 110 S. Williams St.,
Johnstown, N.Y. 12095

[**] Term: **14 Years**

[21] Appl. No.: **234,395**

[22] Filed: **Feb. 13, 1981**

[51] Int. Cl. **D12-02**

[52] U.S. Cl. **D34/17**

[58] Field of Search **D34/17, 21; D30/45;**
D6/85; 280/47.34, 79.1 R, 79.1 A, 79.3;
248/129; 211/13

[56] **References Cited**

U.S. PATENT DOCUMENTS

D. 173,717 12/1954 Bull D34/17
D. 221,871 9/1971 Pearce D30/45

Primary Examiner—James M. Gandy
Attorney, Agent, or Firm—Heslin & Watts

[57] **CLAIM**

The ornamental design for a mobil horse for transporting leather, as shown and described.

DESCRIPTION

FIG. 1 is a right side elevational view of a mobil horse for transporting leather showing my new design;
FIG. 2 is a front elevational view thereof;
FIG. 3 is a perspective view thereof.
The left side and rear of the mobil horse are mirror images of the right side and front shown in FIGS. 1 and 2 respectively.

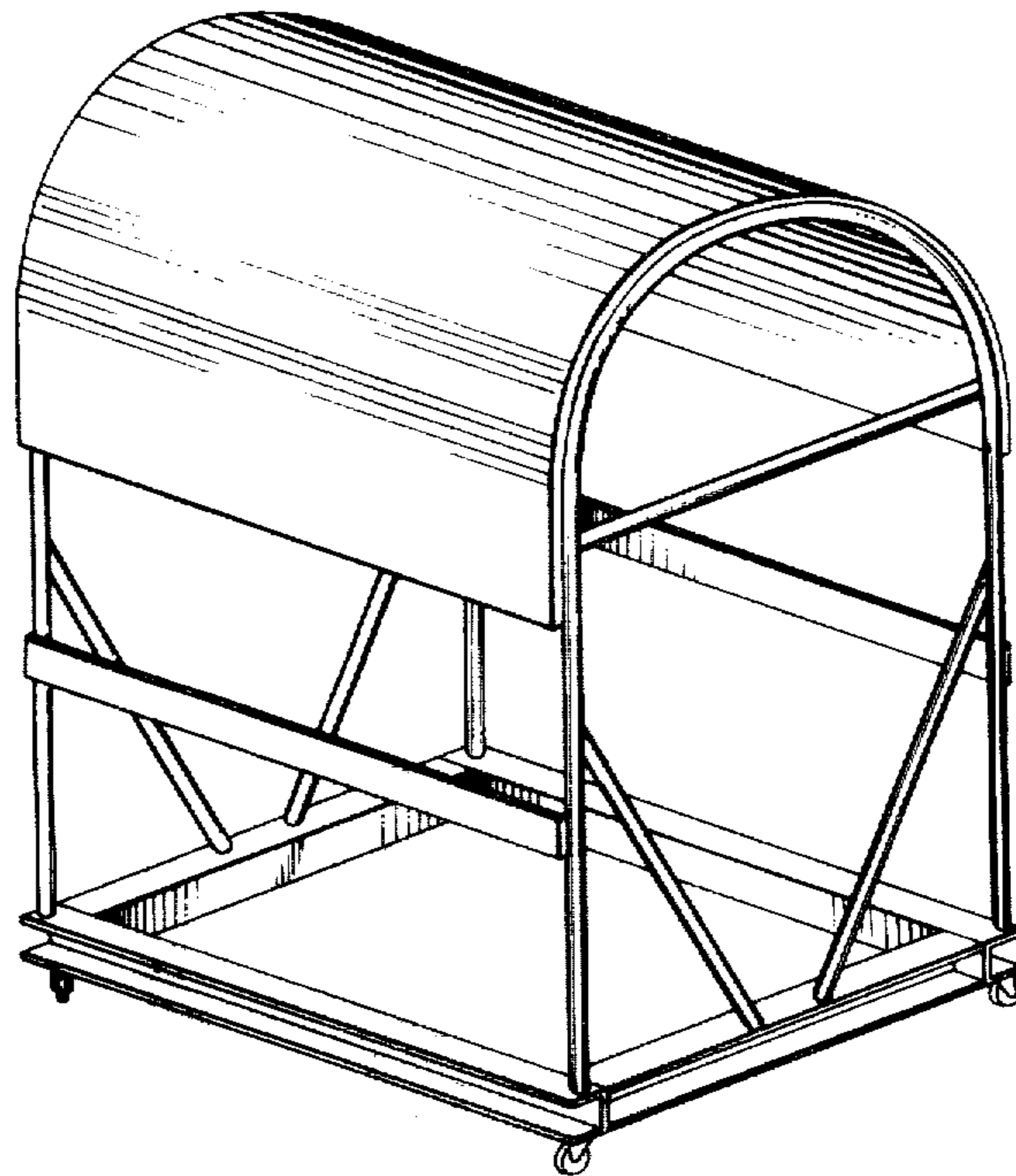


Fig. 2

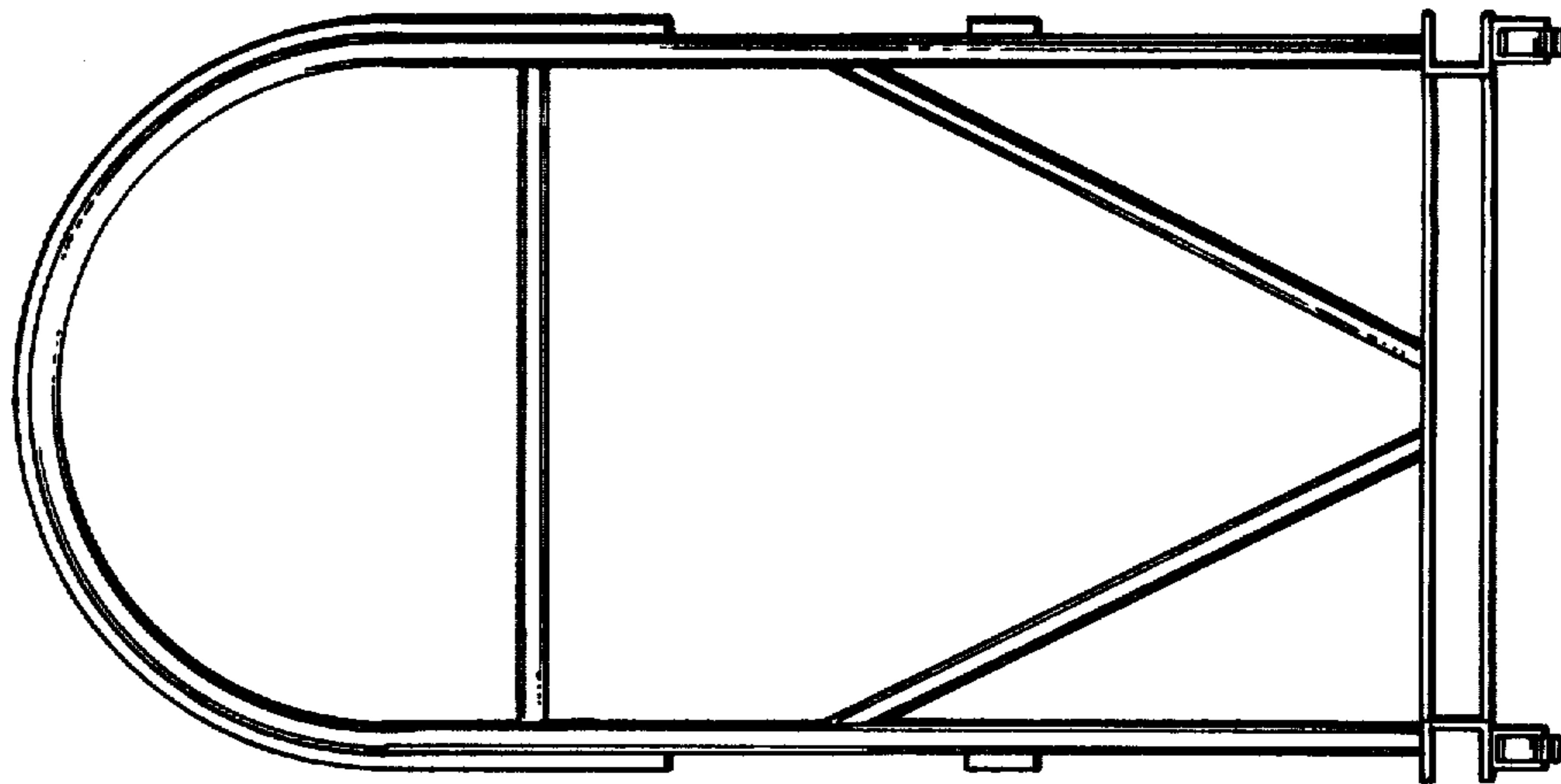
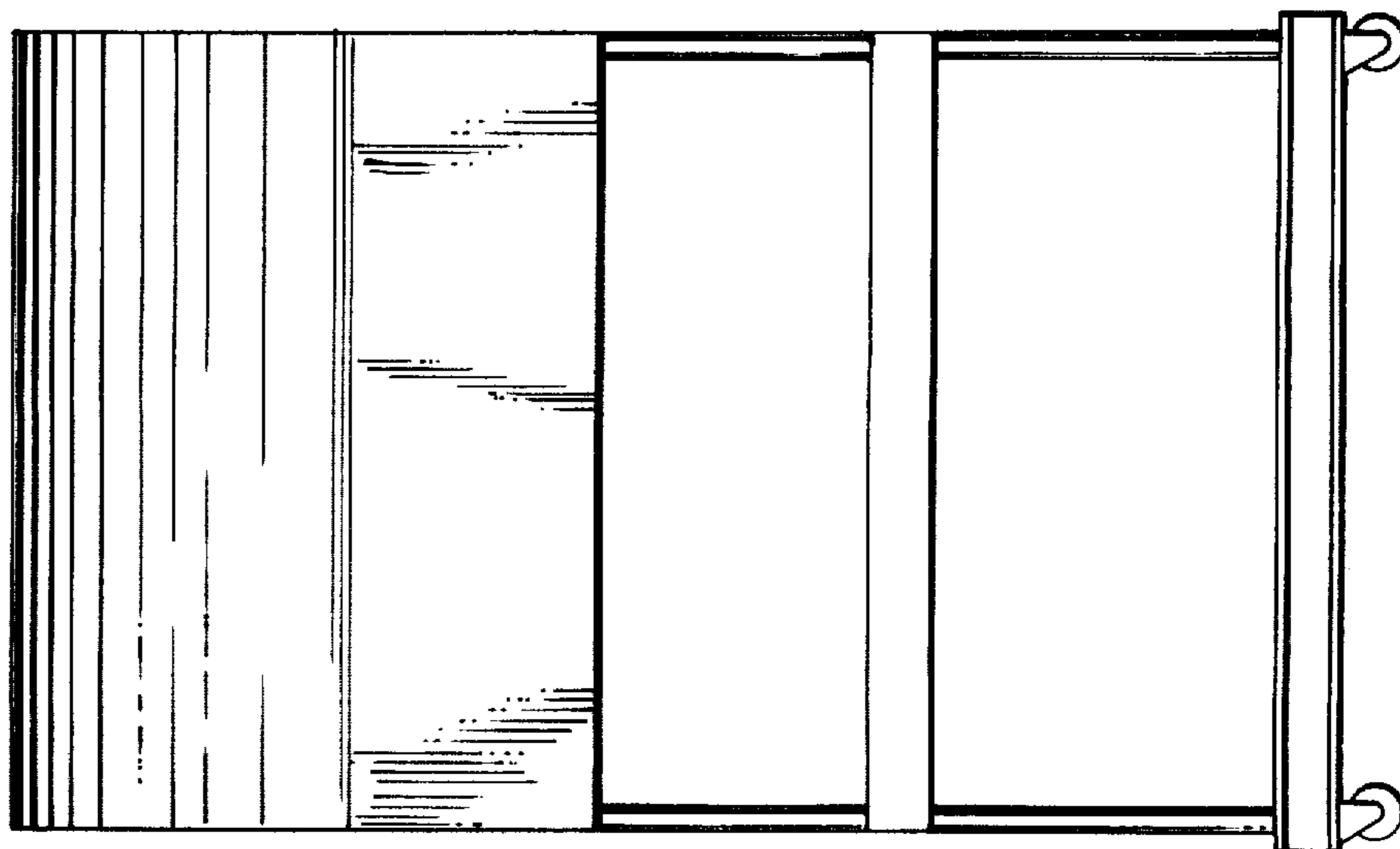


Fig. 1



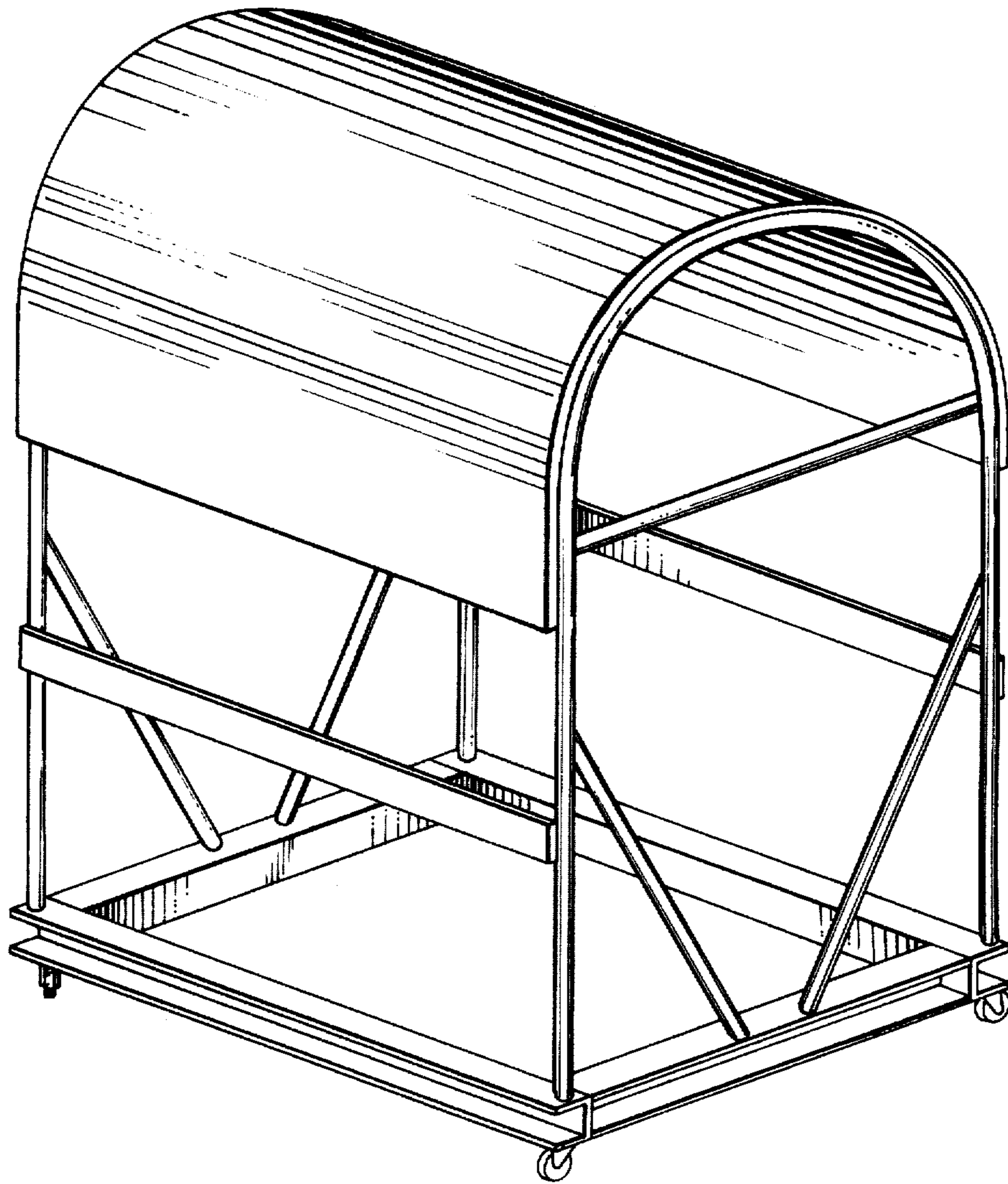


FIG. 2