

[54] PIPE

[76] Inventor: S. Franklin Sher, 609 Lochnor, Danville, Calif. 94526

[\*\*] Term: 14 Years

[21] Appl. No.: 145,724

[22] Filed: May 1, 1980

[51] Int. Cl. .... D27-02

[52] U.S. Cl. .... D27/03

[58] Field of Search ..... D27/2-7; 131/170 R, 171 R, 173

[56]

References Cited

U.S. PATENT DOCUMENTS

D. 249,282 9/1978 Nielsen ..... D27/3

Primary Examiner—Catherine E. Kemper  
Attorney, Agent, or Firm—Limbach, Limbach & Sutton

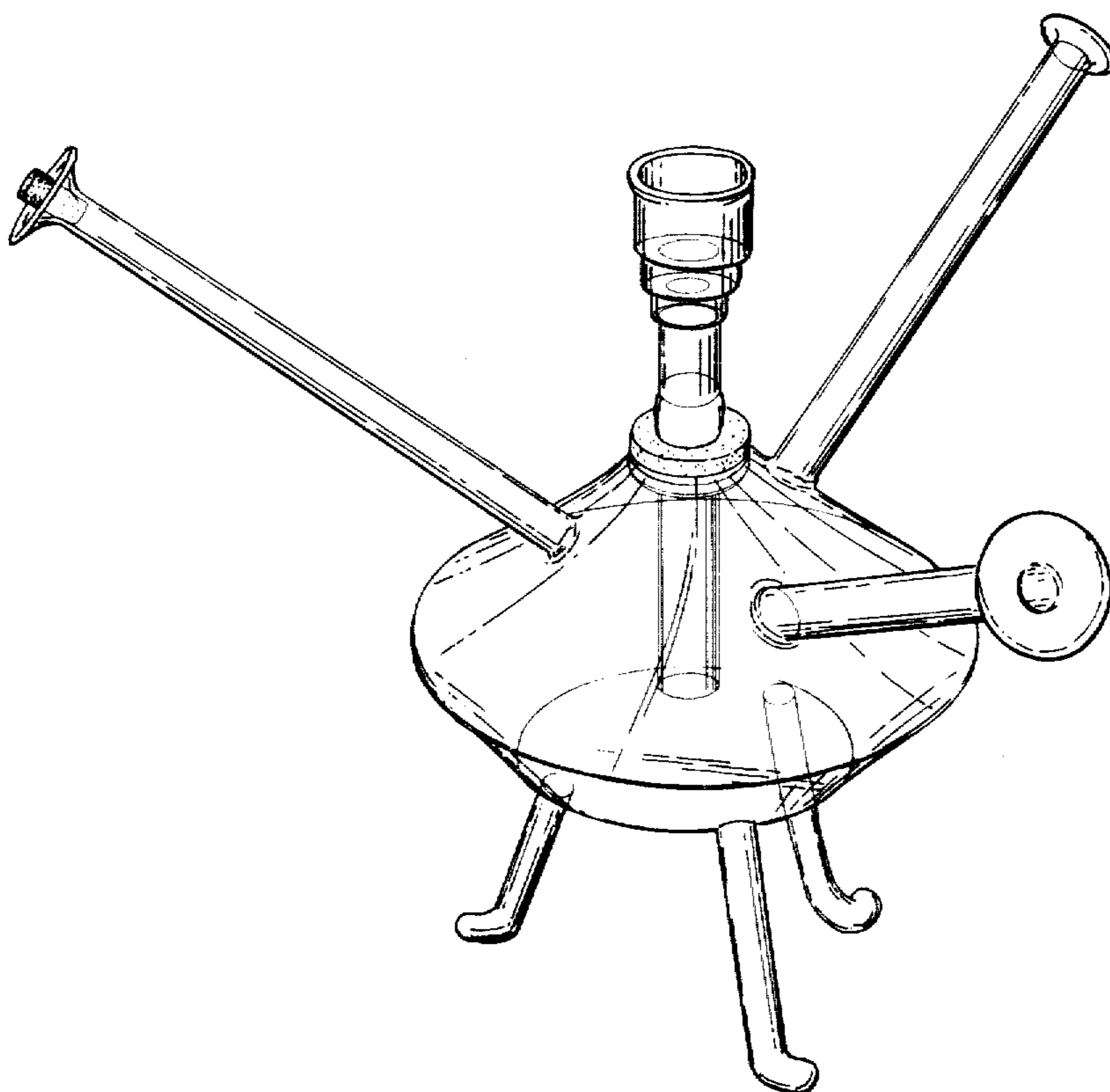
[57]

CLAIM

The ornamental design for a pipe, as shown and described.

DESCRIPTION

FIG. 1 is a top front perspective view of a pipe, showing my new design;  
FIG. 2 is a bottom rear perspective view thereof.



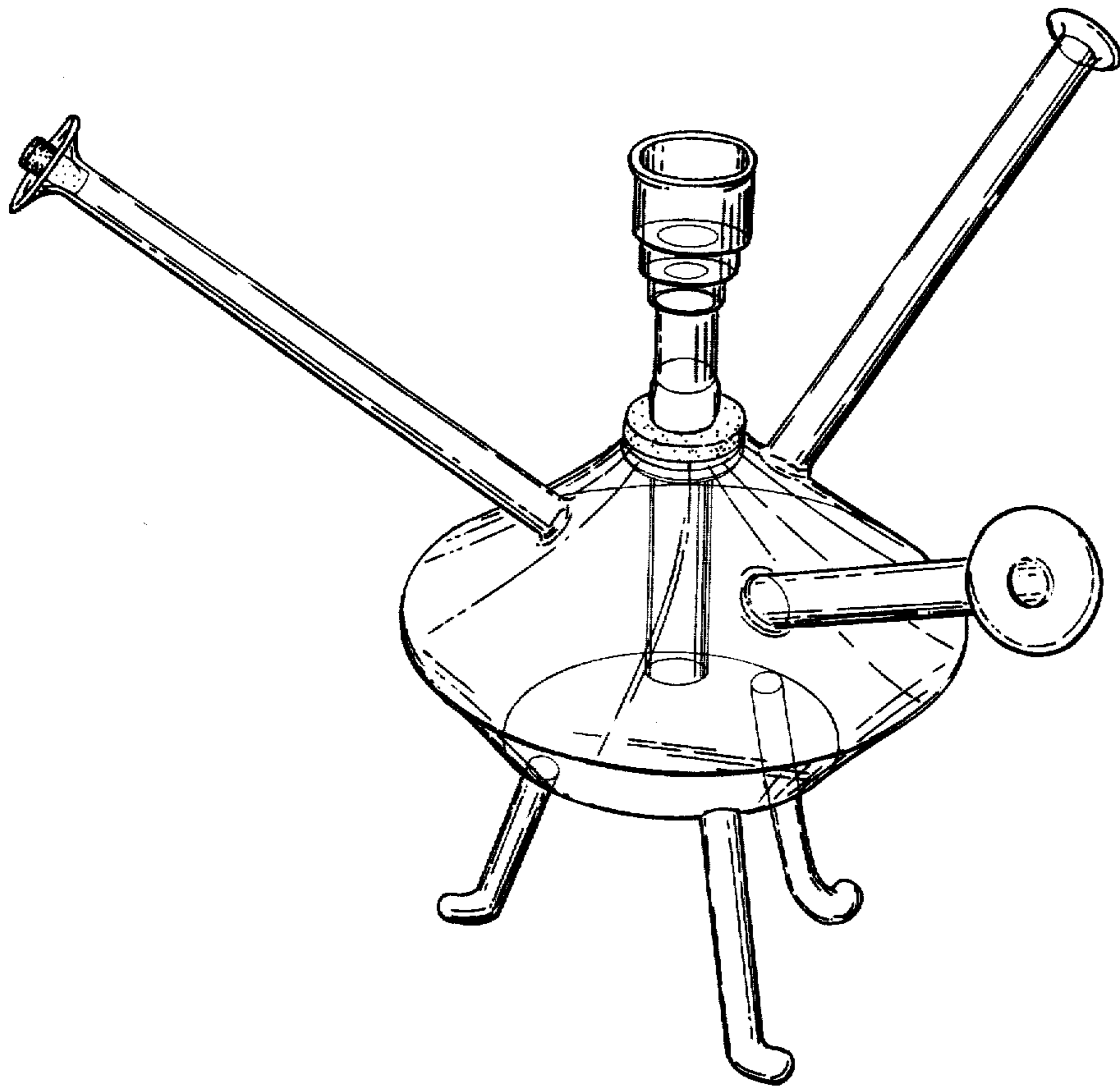


FIG. 1.

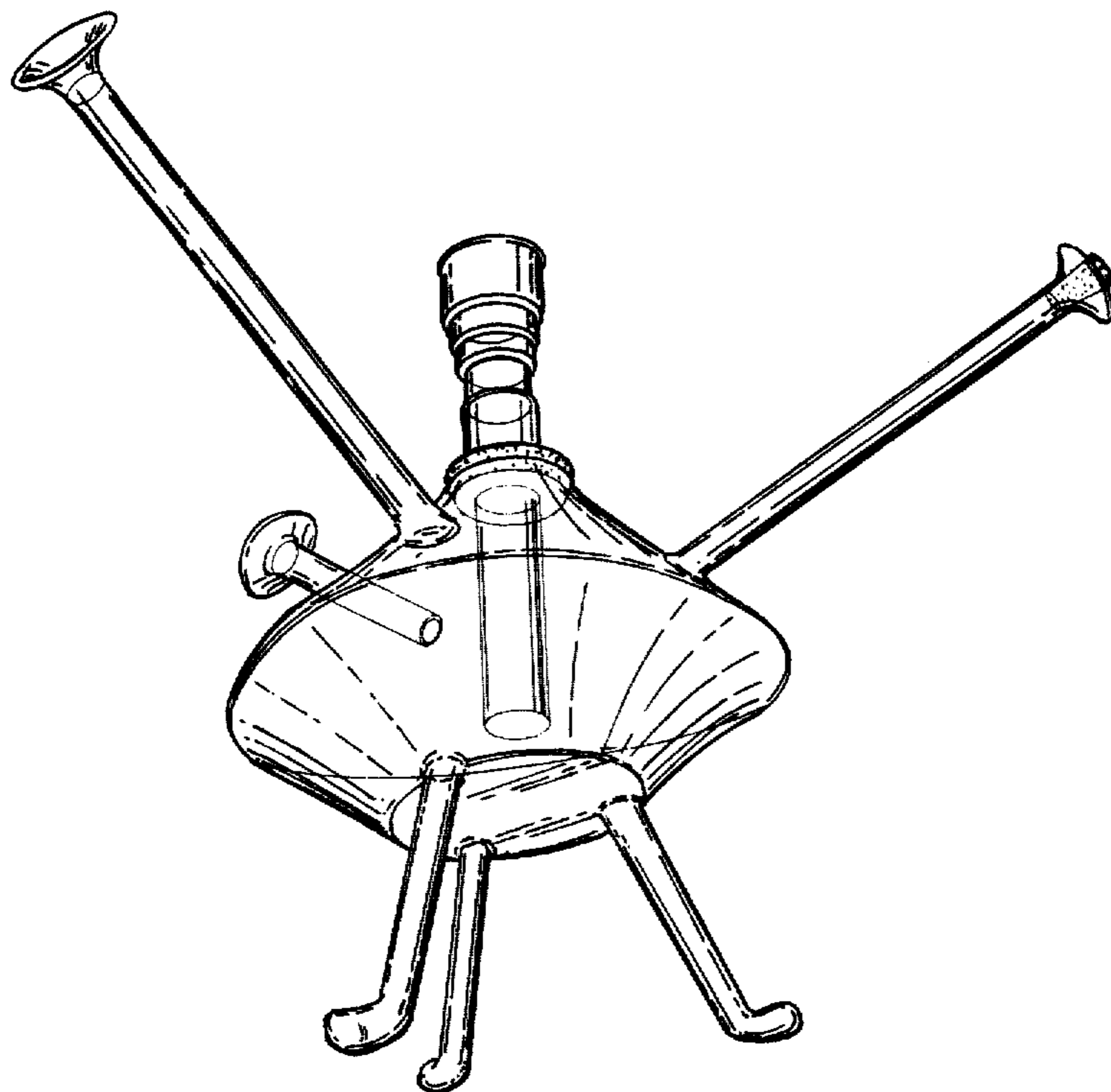


FIG. 2.