

[54] CONTACT LENS STERILIZER UNIT

[75] Inventors: Staffan Sundström; Tore Herlestam, both of Helsingborg, Sweden

[73] Assignee: Sharp Corporation, Osaka, Japan

[\*\*] Term: 14 Years

[21] Appl. No.: 173,827

[22] Filed: Jul. 30, 1980

[30] Foreign Application Priority Data

Feb. 5, 1980 [SE] Sweden ..... 800253

[51] Int. Cl. .... D24-02

[52] U.S. Cl. .... D24/9

[58] Field of Search ..... D24/9; 422/300, 292, 422/293

[56] References Cited

U.S. PATENT DOCUMENTS

- D. 256,049 7/1980 Thomas ..... D24/9
- D. 257,487 11/1980 Thomas ..... D24/9
- D. 257,489 11/1980 Thomas ..... D24/9
- D. 257,789 1/1981 Thomas et al. .... D24/9

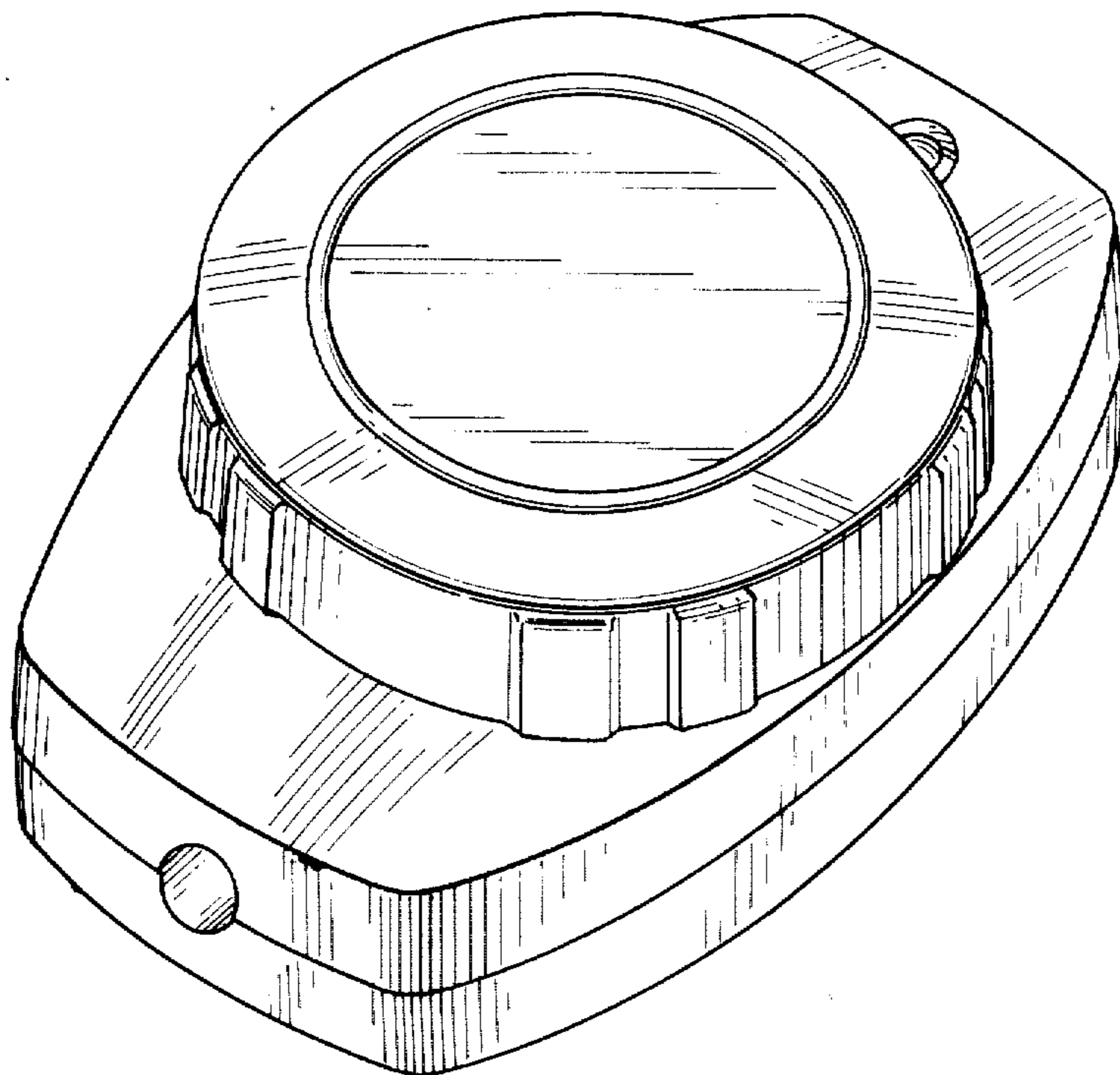
Primary Examiner—Bernard Ansher  
Attorney, Agent, or Firm—Flehr, Hohbach, Test, Albritton & Herbert

[57] CLAIM

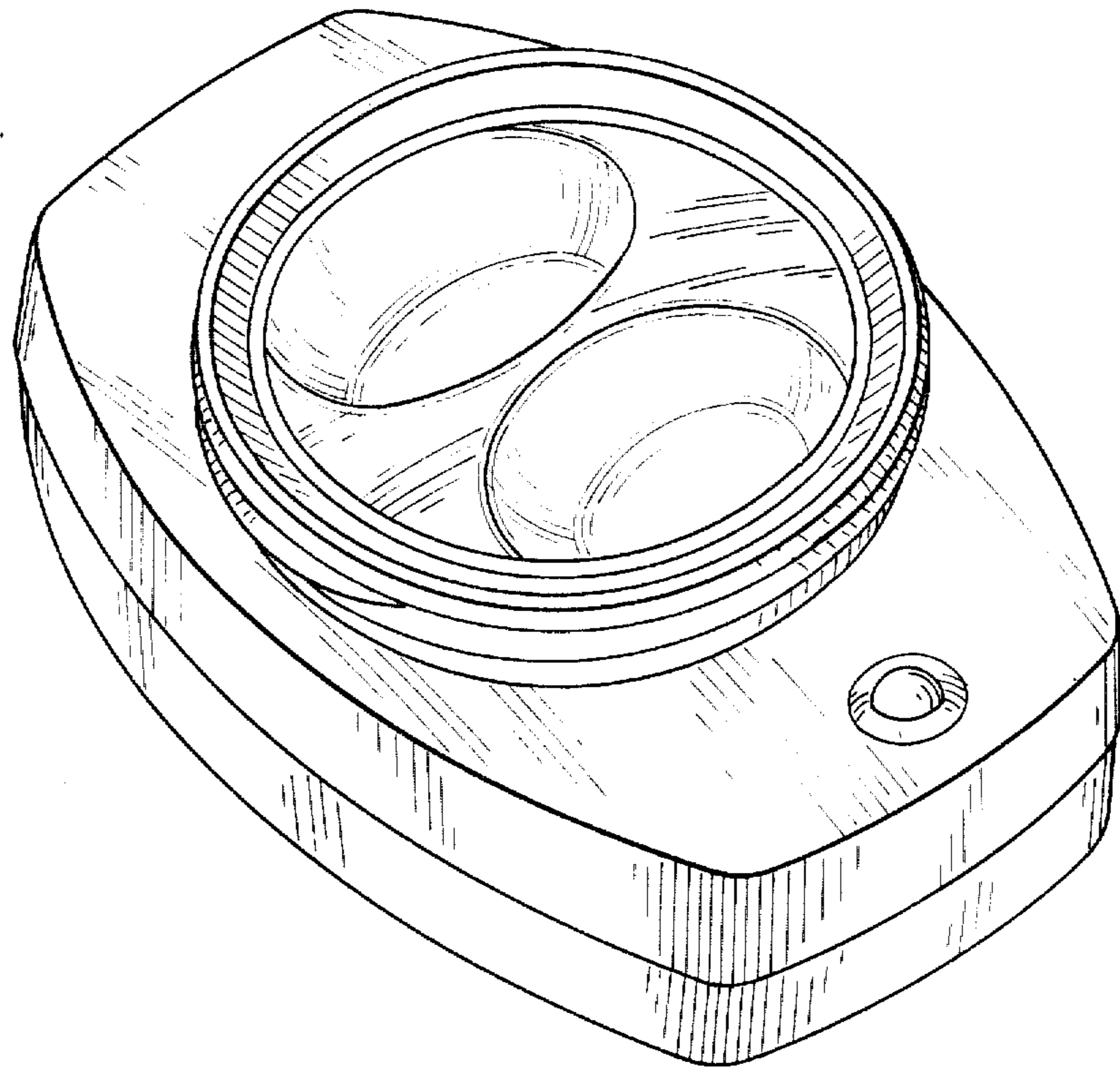
The ornamental design for a contact lens sterilizer unit, substantially as shown and described.

DESCRIPTION

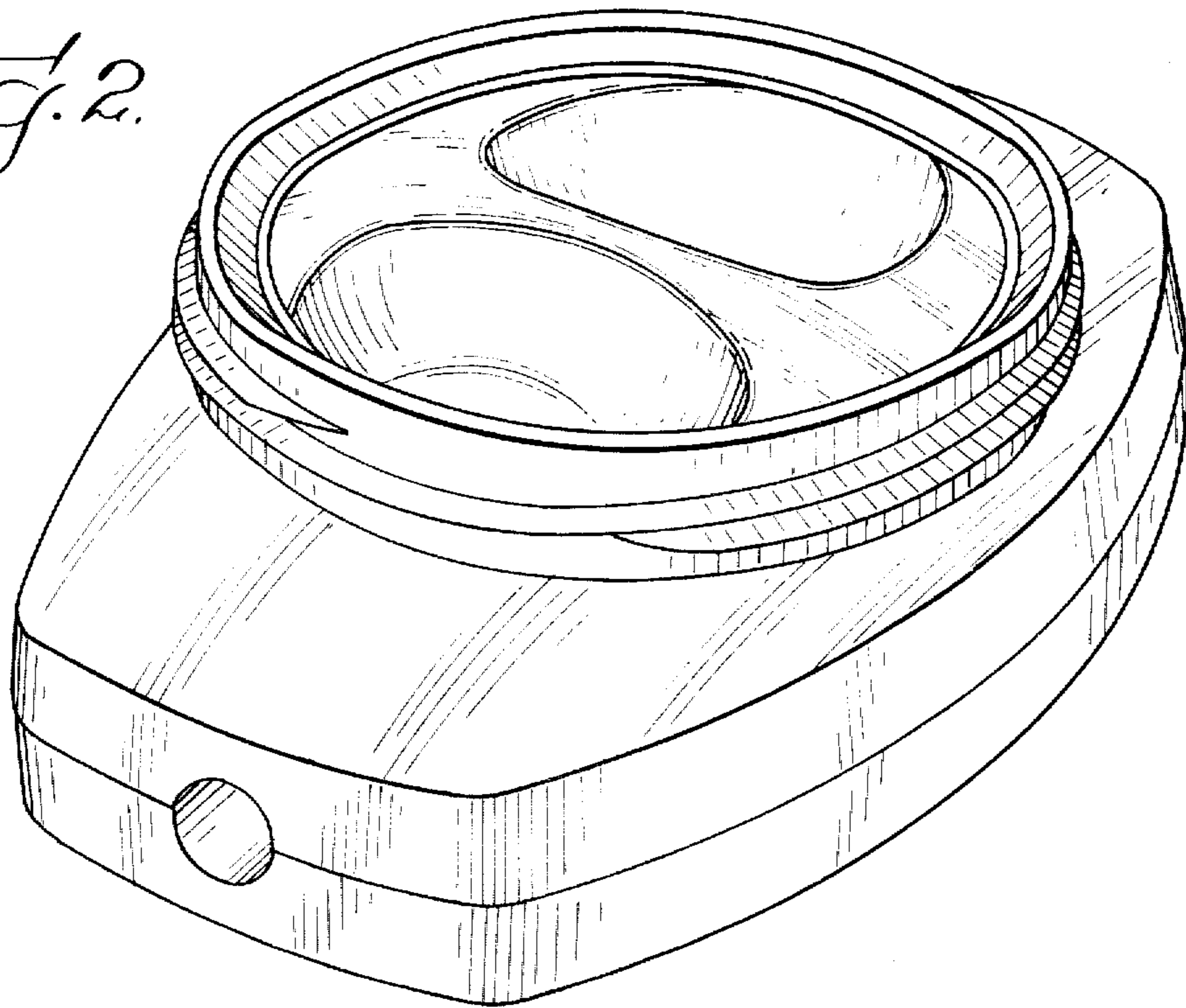
FIG. 1 is a top perspective view of a sterilizer or disinfecting device showing my new design; the cover has been omitted for ease of illustration;  
 FIG. 2 is a rear perspective view thereof;  
 FIG. 3 is a bottom plan view thereof;  
 FIG. 4 is a top perspective view of the sterilizer with the cover member in place; and  
 FIG. 5 is a perspective view of the sterilizer with the cover member removed.



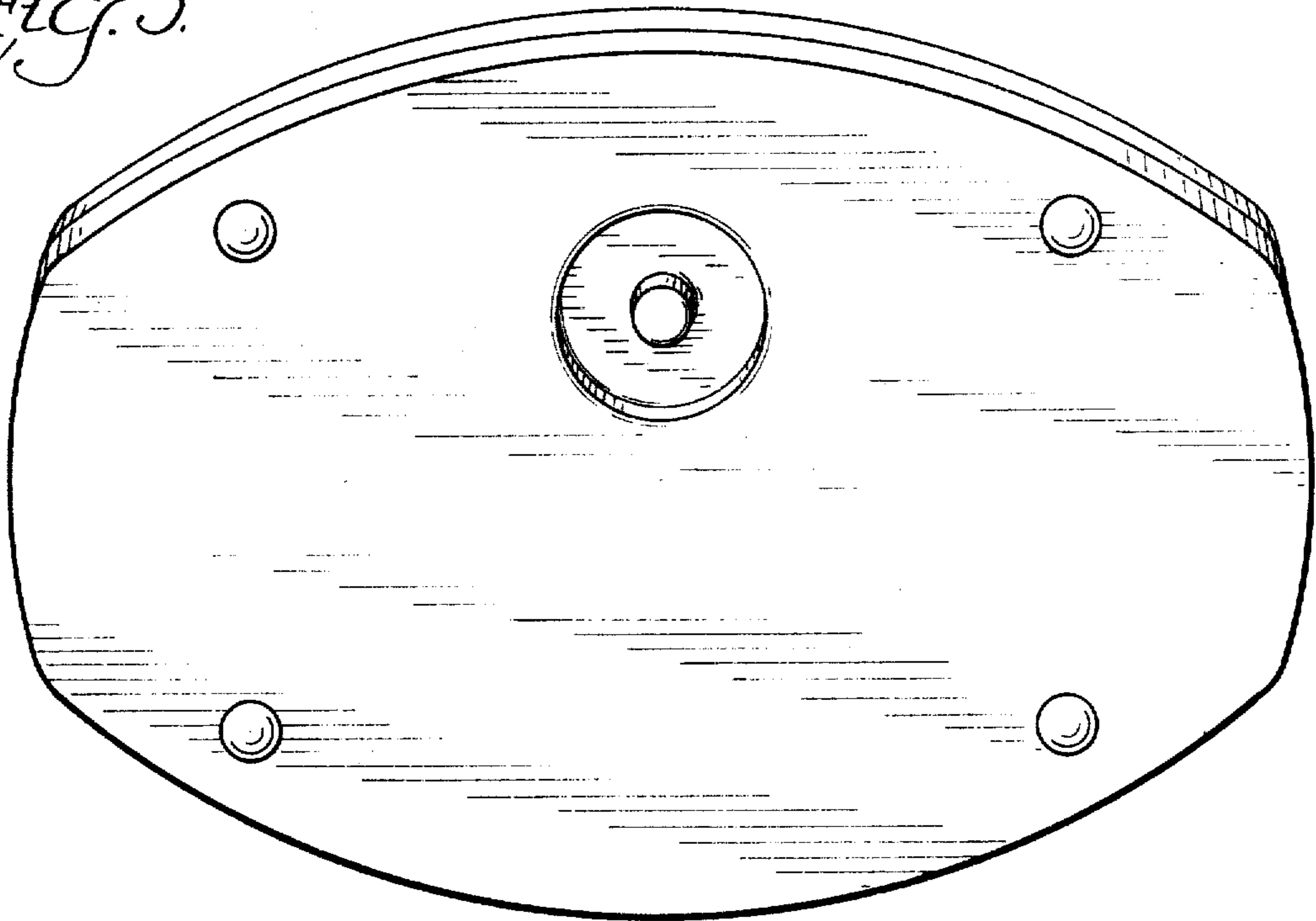
*Fig. 1.*



*Fig. 2.*



*Fig. 3.*



*Fig. 4.*

