

- [54] SPECIMEN COLLECTOR FOR A  
COMMODORE SIMILAR ARTICLE
- [75] Inventor: Rodney Laible, Omaha, Nebr.
- [73] Assignee: Daniel Brown, Omaha, Nebr.; a part  
interest
- [\*\*] Term: 14 Years
- [21] Appl. No.: 183,232
- [22] Filed: Sep. 2, 1980
- [51] Int. Cl. .... D24-02; D24-04
- [52] U.S. Cl. .... D24/57; D24/56;  
D24/99; D24/54
- [58] Field of Search ..... 128/761, 749, 760;  
D24/56, 57, 99; 4/450, 451, 457

References Cited

U.S. PATENT DOCUMENTS

- D. 215,191 9/1969 Spence ..... D24/99
- D. 238,308 12/1975 Sherin ..... D24/54
- D. 259,511 6/1981 Peterson ..... D24/54

- 3,061,840 11/1962 Presseisen ..... 4/450
- 3,377,631 4/1968 Whitney ..... 4/452

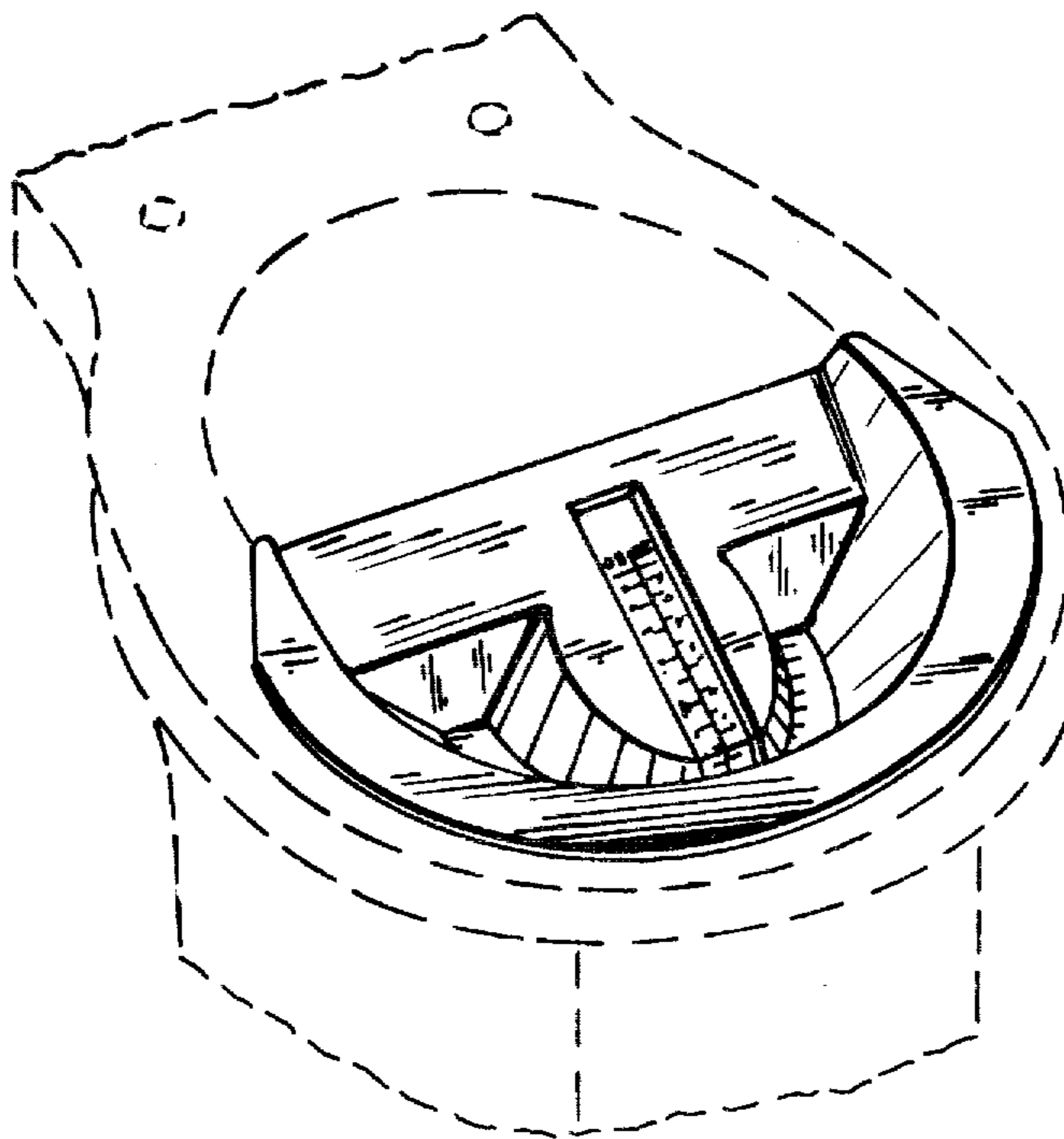
Primary Examiner—Bernard Ansher  
Attorney, Agent, or Firm—Zarley, McKee, Thomte,  
Voorhees & Sease

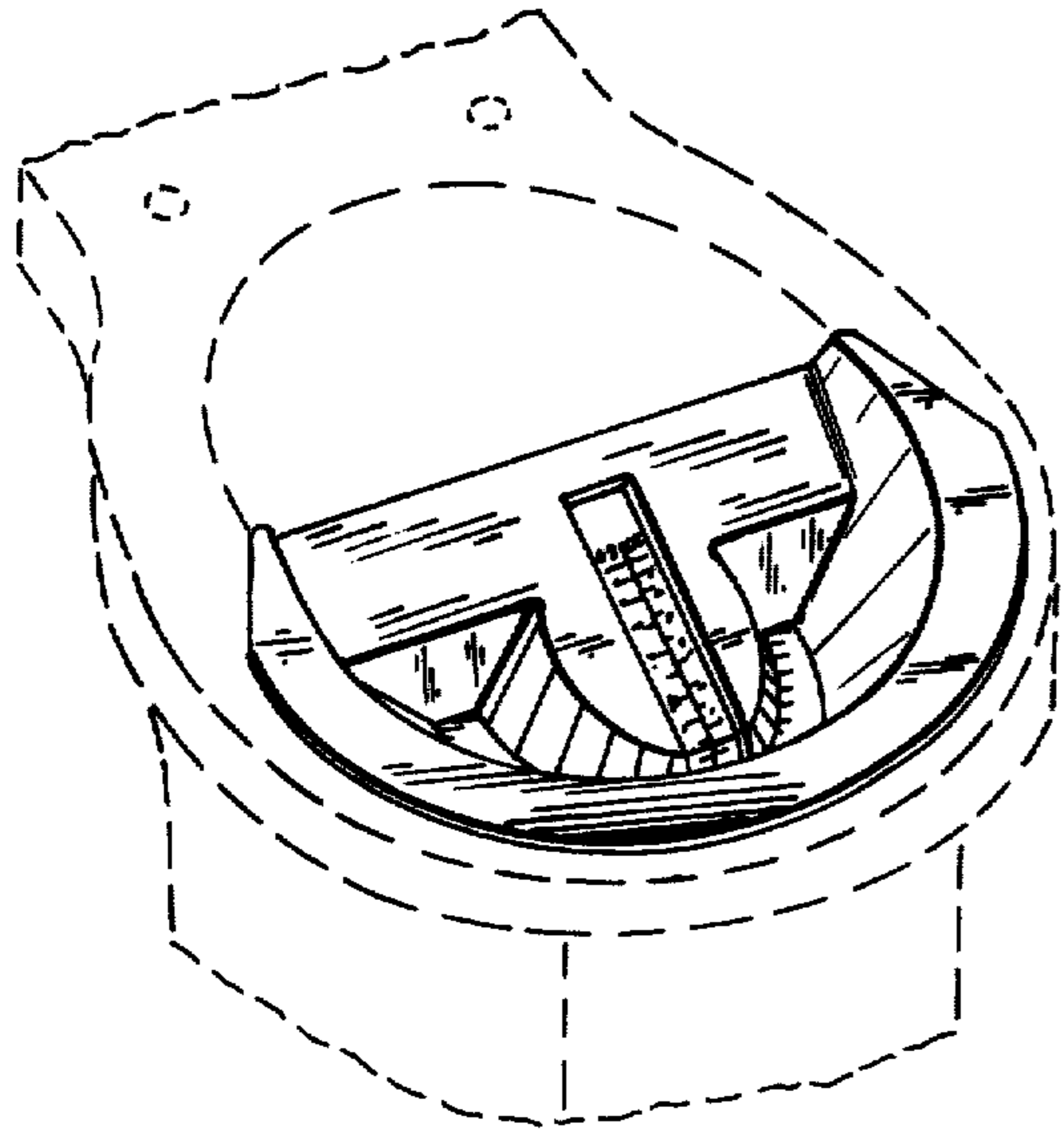
[57] CLAIM

The ornamental design for a specimen collector for a commode or similar article, substantially as shown and described.

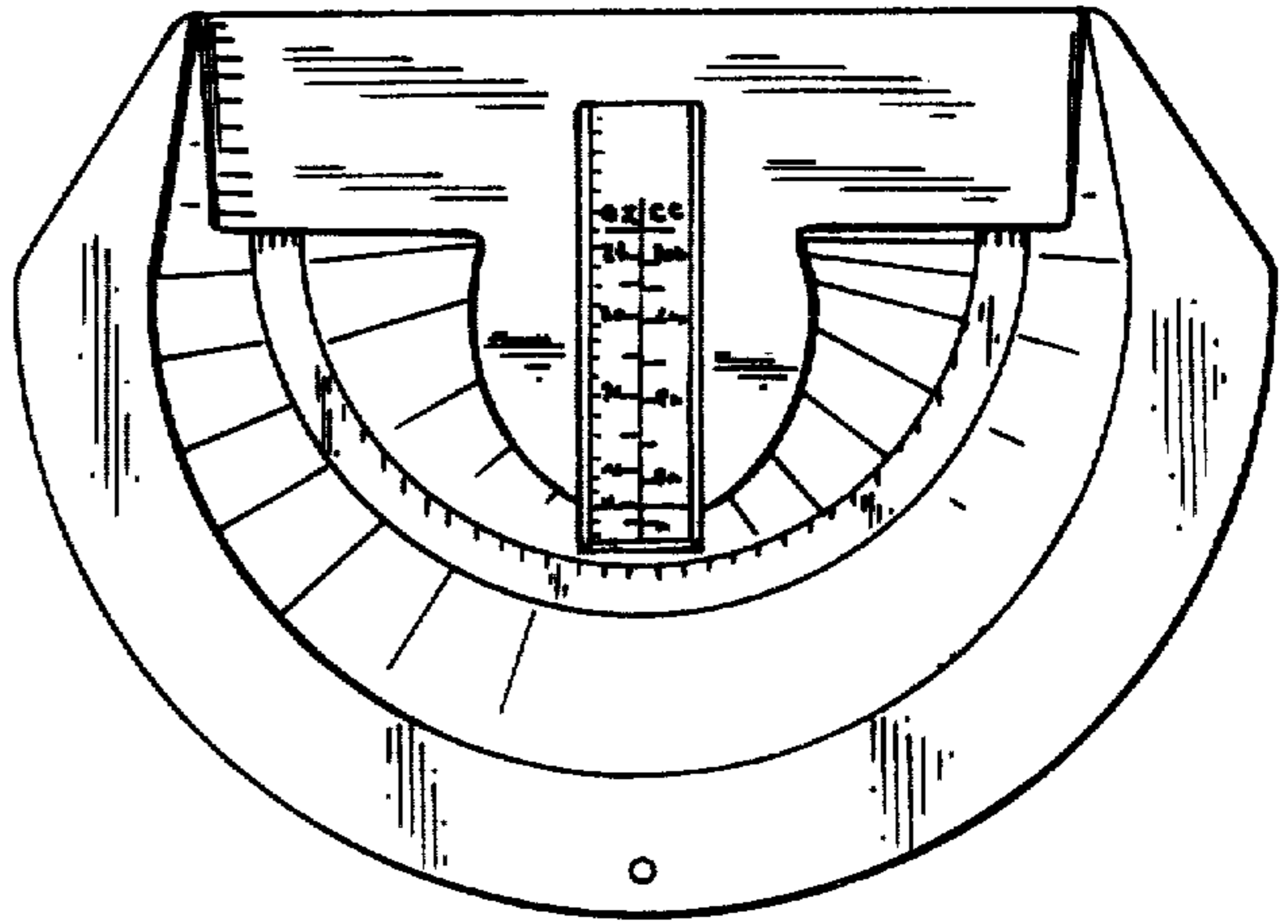
DESCRIPTION

FIG. 1 is a perspective view of the specimen collector for a commode in position, the commode shown in dotted lines for illustrative purposes only; FIG. 2 is a top plan view of the collector; FIG. 3 is a front elevational view of the collector; FIG. 4 is a side view of the collector, it being understood that the opposite side appears as the mirror image of this view; FIG. 5 is a rear view of the collector; and FIG. 6 is a bottom plan view of the collector.

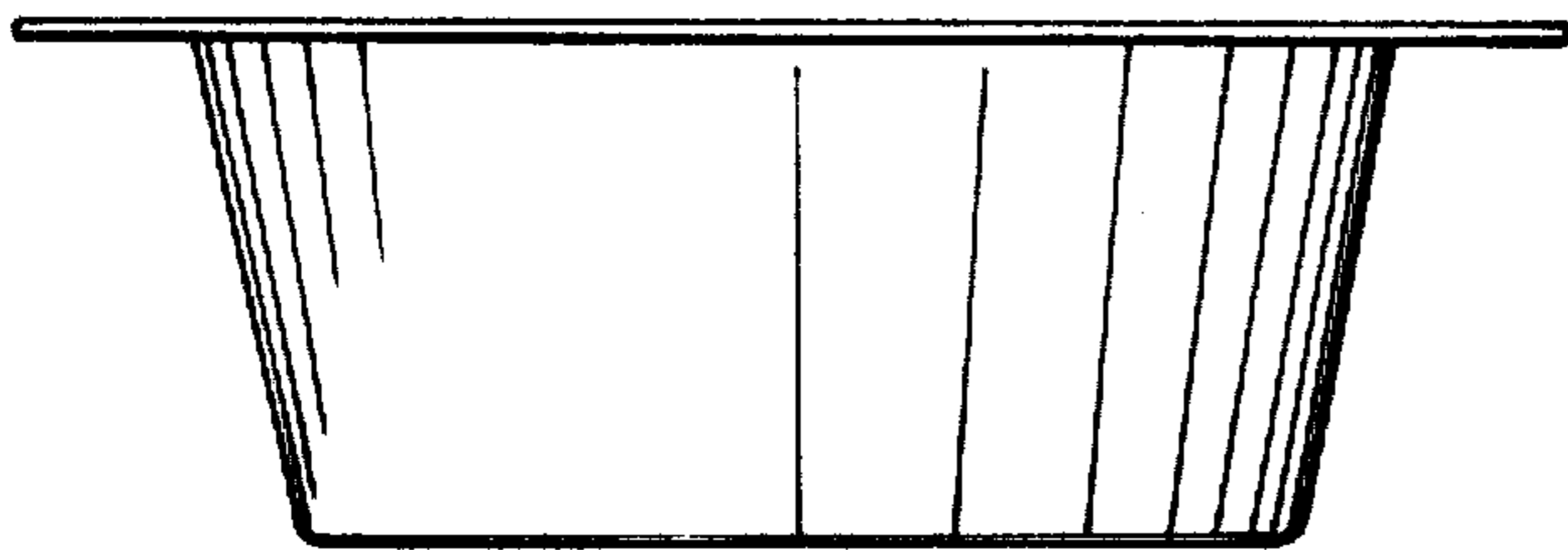




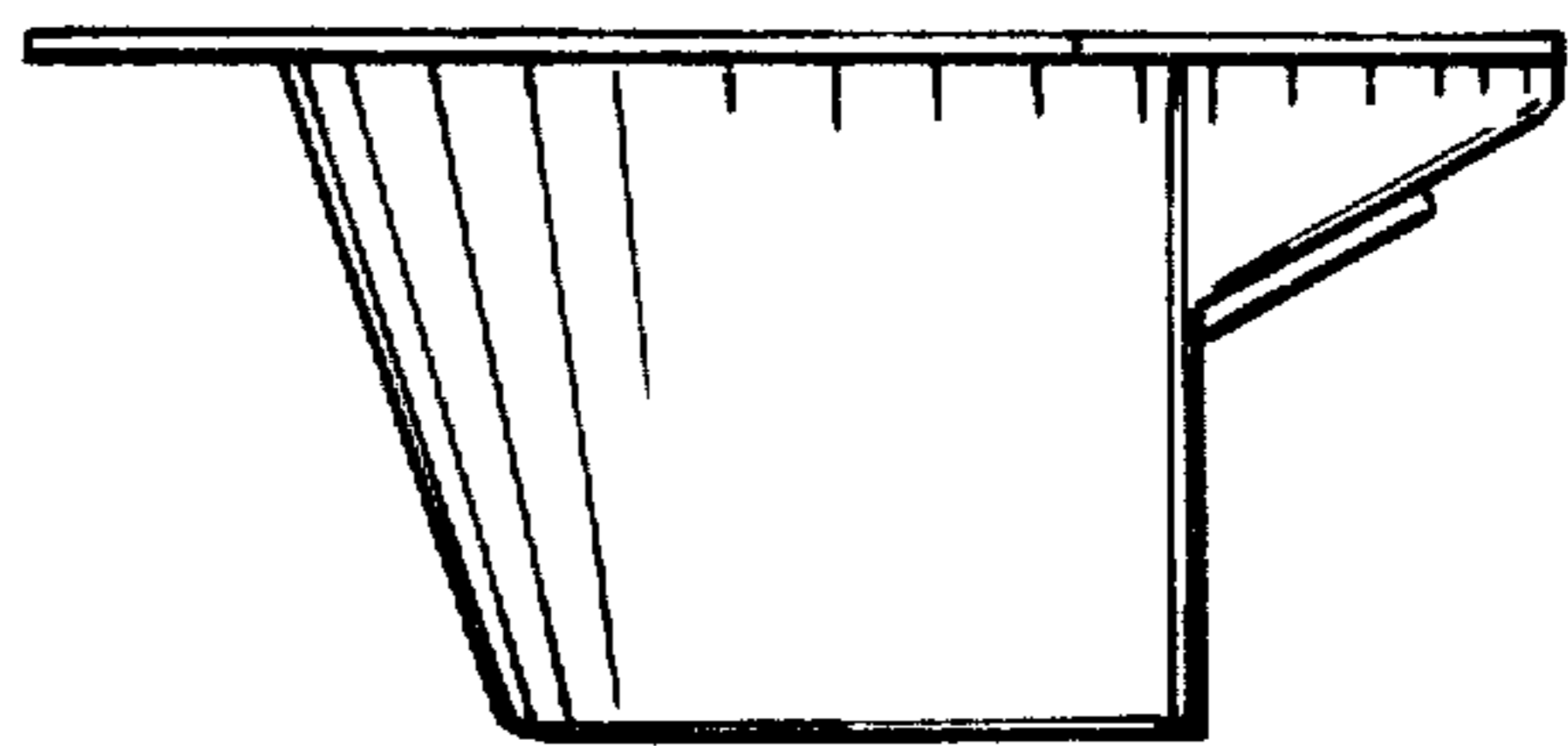
*Fig. 1*



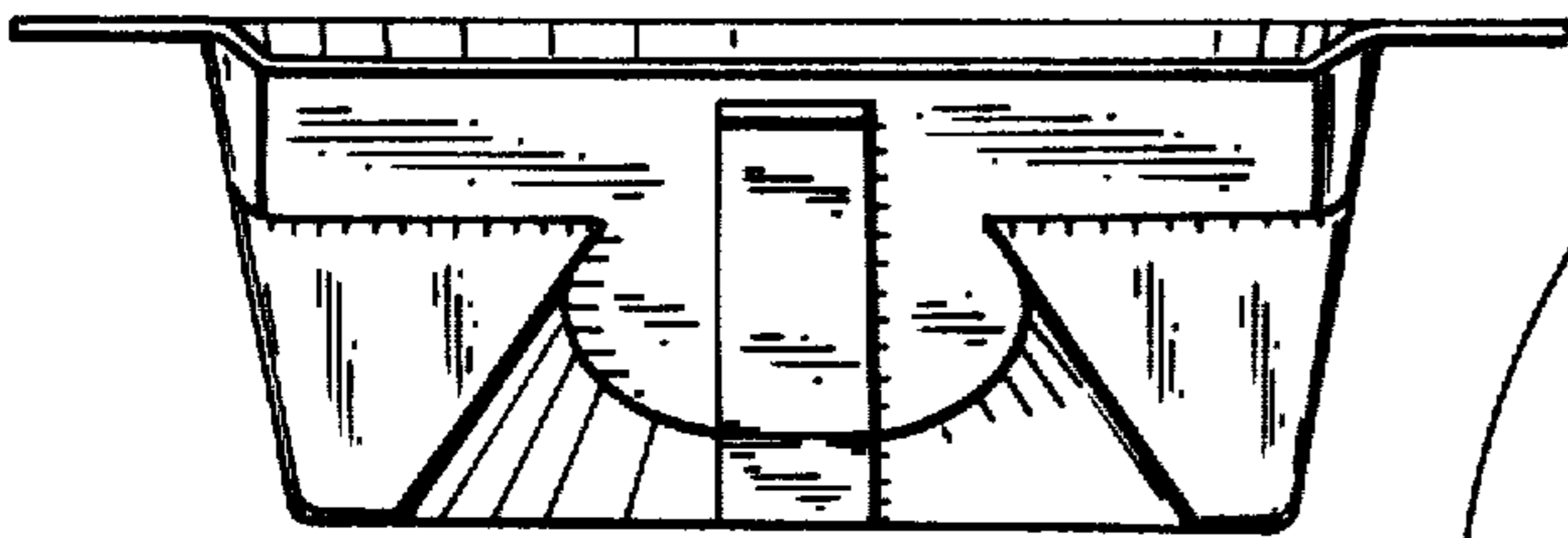
*Fig. 2*



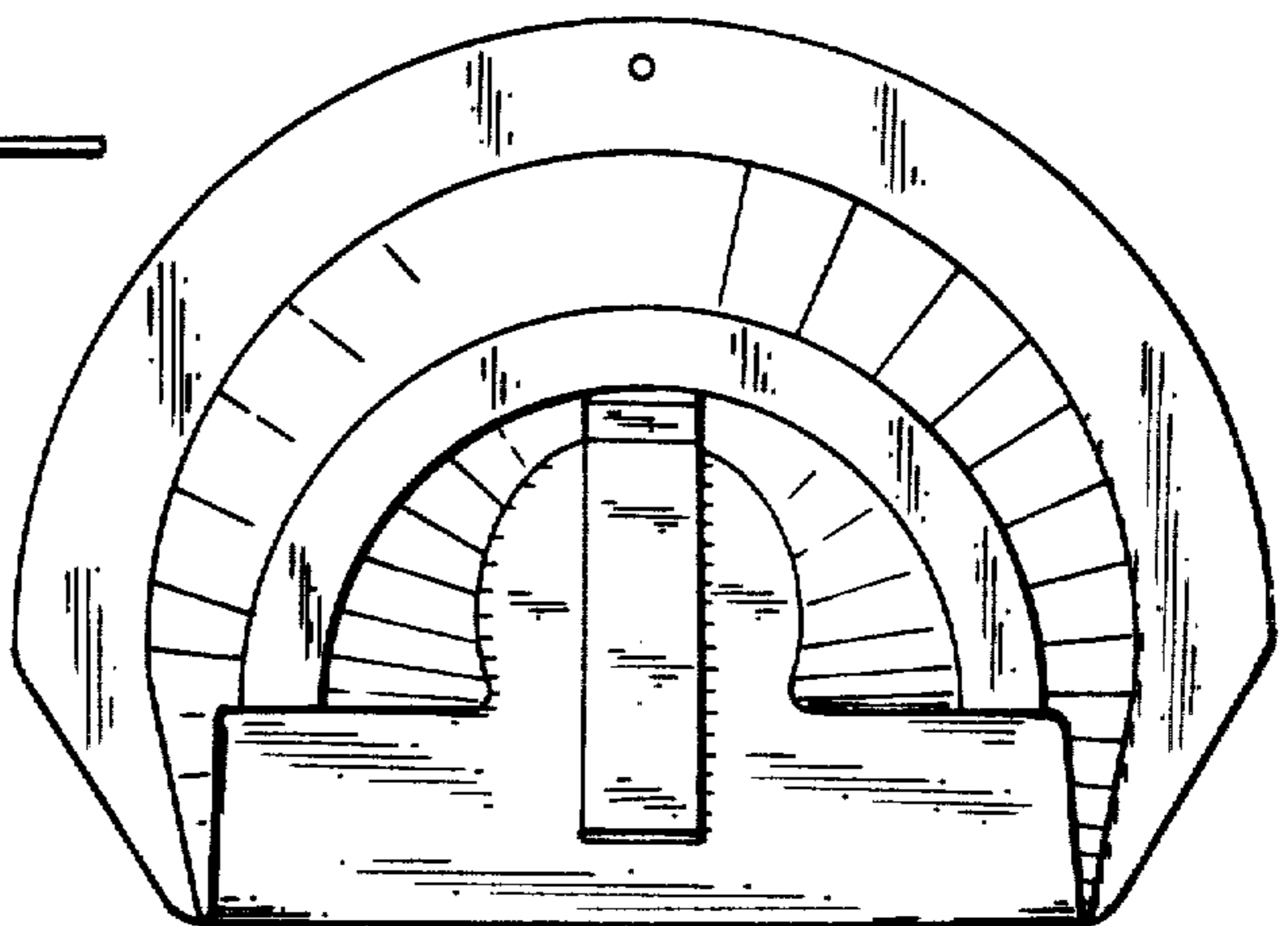
*Fig. 3*



*Fig. 4*



*Fig. 5*



*Fig. 6*