

[54] COMBINED AIR CONDITIONING UNIT AND DUCT SYSTEM

[75] Inventors: Theodore S. Bolton, Liverpool; Richard D. Lang, Chittenango; John S. Burris, Cazenovia, all of N.Y.

[73] Assignee: Carrier Corporation, Syracuse, N.Y.

[**] Term: 14 Years

[21] Appl. No.: 151,057

[22] Filed: May 19, 1980

[51] Int. Cl. D23-04

[52] U.S. Cl. D23/141

[58] Field of Search D23/139-149; 62/262; 98/40 C, 40 N, 94 A, 94 C, DIG. 7

[56] References Cited

U.S. PATENT DOCUMENTS

- D. 111,473 9/1938 Feinberg D23/143
- D. 175,444 8/1955 Schucker D23/141

- D. 204,838 5/1966 Allender et al. D23/144
- 2,184,354 12/1939 Levine D23/141 X
- 2,672,024 3/1954 McGrath 62/262 X
- 2,727,455 12/1955 Miller 98/40 C X
- 2,835,187 5/1958 Schell 98/40 V
- 2,928,333 3/1960 Madison 98/40 V
- 3,111,075 11/1963 Hoyle et al. 98/40 V
- 3,741,290 6/1973 Nenadal 62/262
- 4,315,457 2/1982 Lang et al. 98/40 C

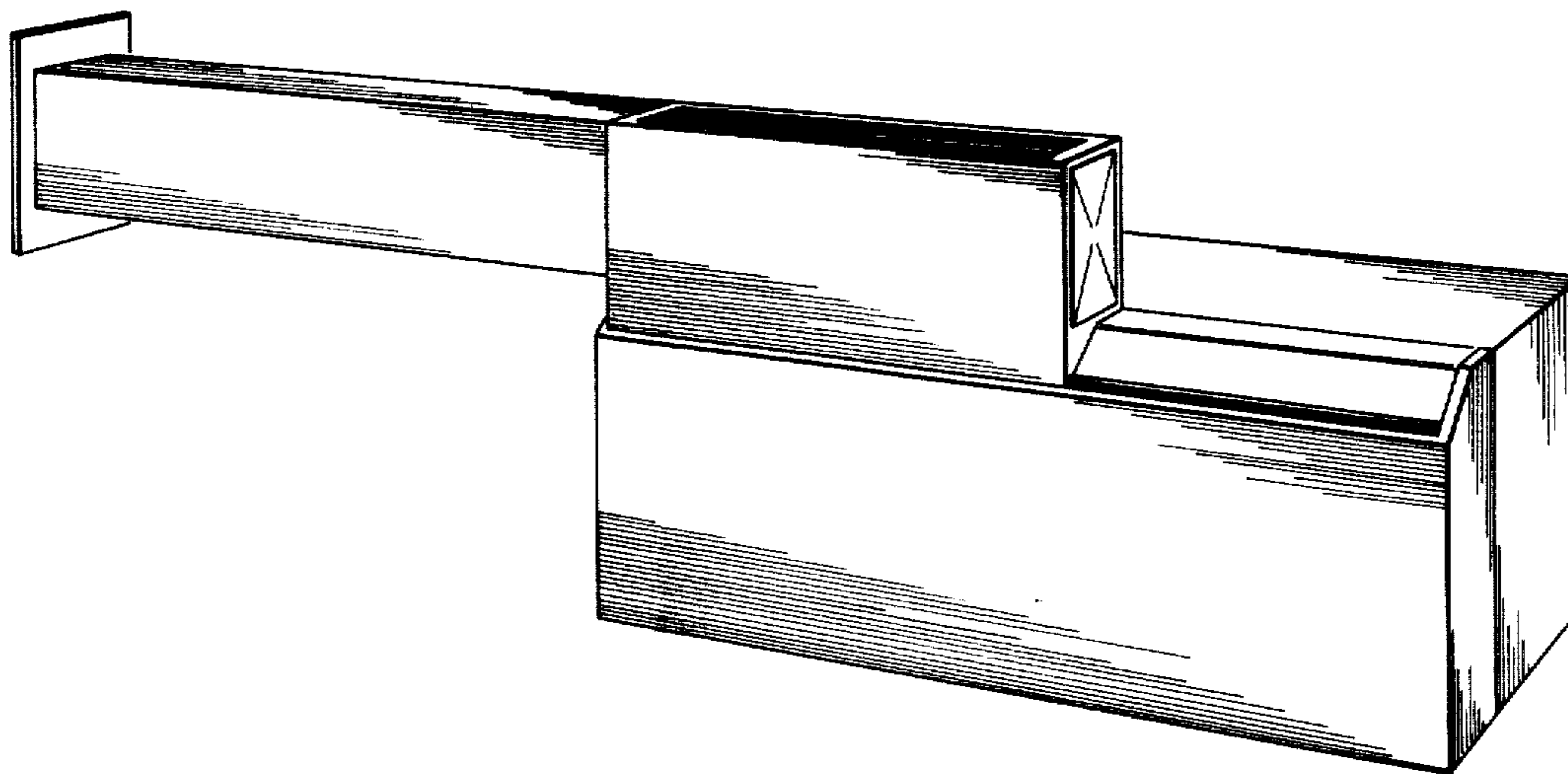
Primary Examiner—James R. Largen
Attorney, Agent, or Firm—J. Raymond Curtin; Robert P. Hayter

[57] CLAIM

The ornamental design for a combined air conditioning unit and duct system, as shown.

DESCRIPTION

FIG. 1 is a perspective view taken from the top, front and right side of a combined air conditioning unit and duct system showing my new design; and FIG. 2 is a perspective view taken from the top, rear and left side thereof.



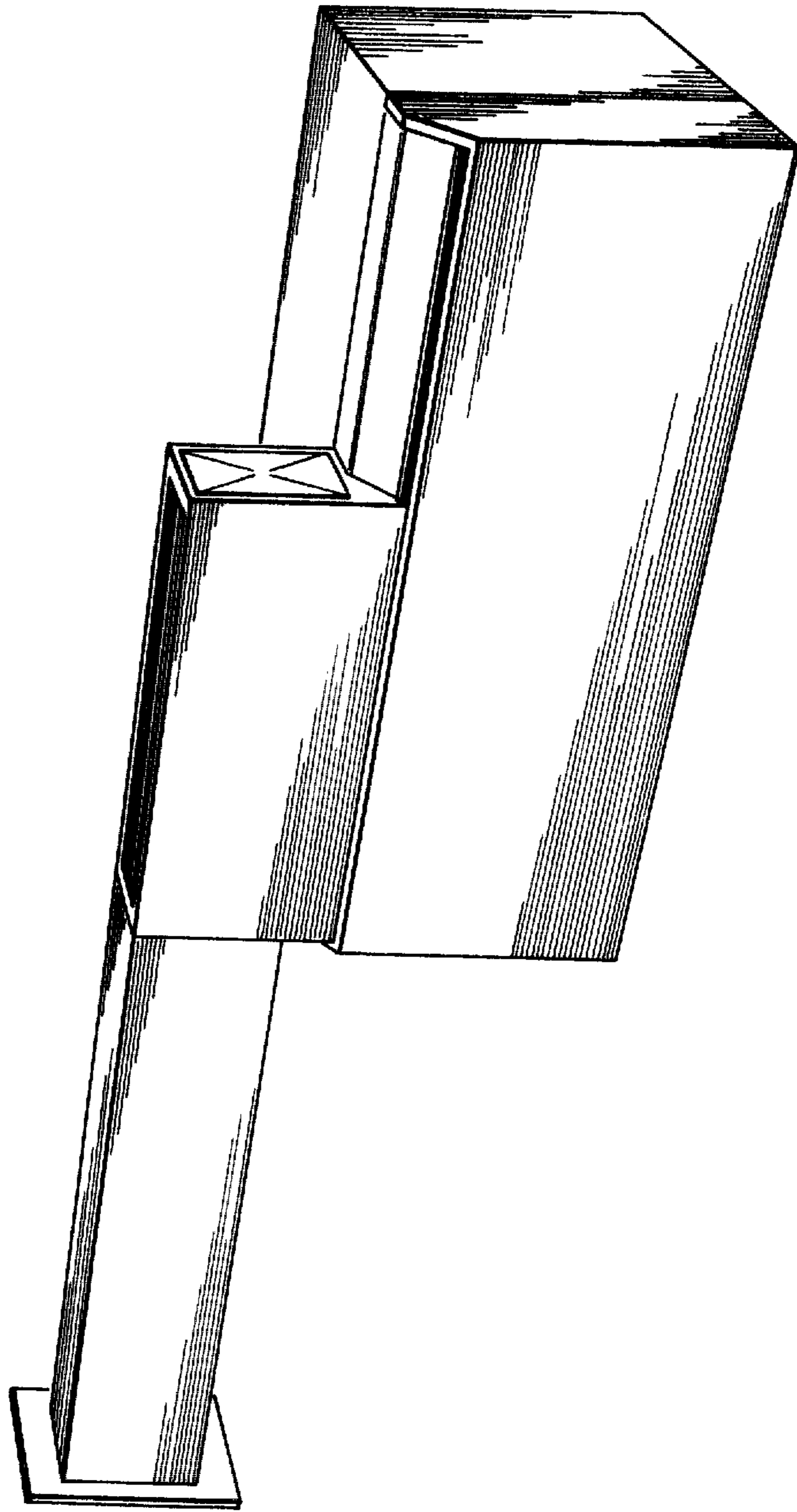


FIG. 1

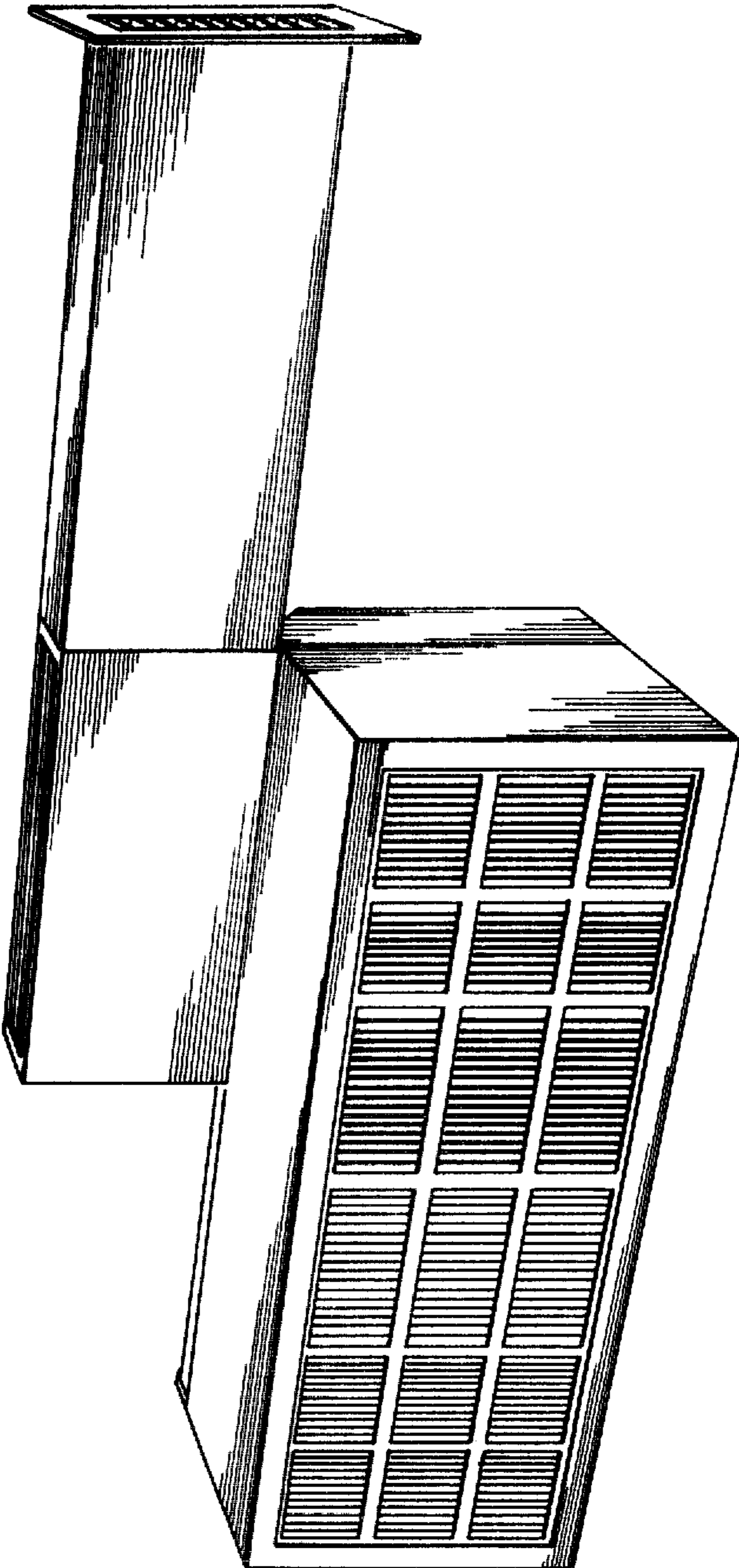


FIG. 2