

[54] LAVATORY

[75] Inventor: John Fortuno, Alhambra, Calif.

[73] Assignee: Empire-Fortuno, Ltd., South El Monte, Calif.

[\*\*] Term: 14 Years

[21] Appl. No.: 176,597

[22] Filed: Aug. 8, 1980

[51] Int. Cl. .... D23-02

[52] U.S. Cl. .... D23/58

[58] Field of Search ..... D23/48, 58-64;  
4/619, 624, 631, 635, 636

[56] References Cited

U.S. PATENT DOCUMENTS

- D. 24,851 11/1895 Torrance ..... D23/58
- D. 188,931 10/1960 Ament ..... D23/58
- D. 191,432 10/1961 Chapman ..... D23/59

D. 216,311 12/1969 Fortuno ..... D23/58

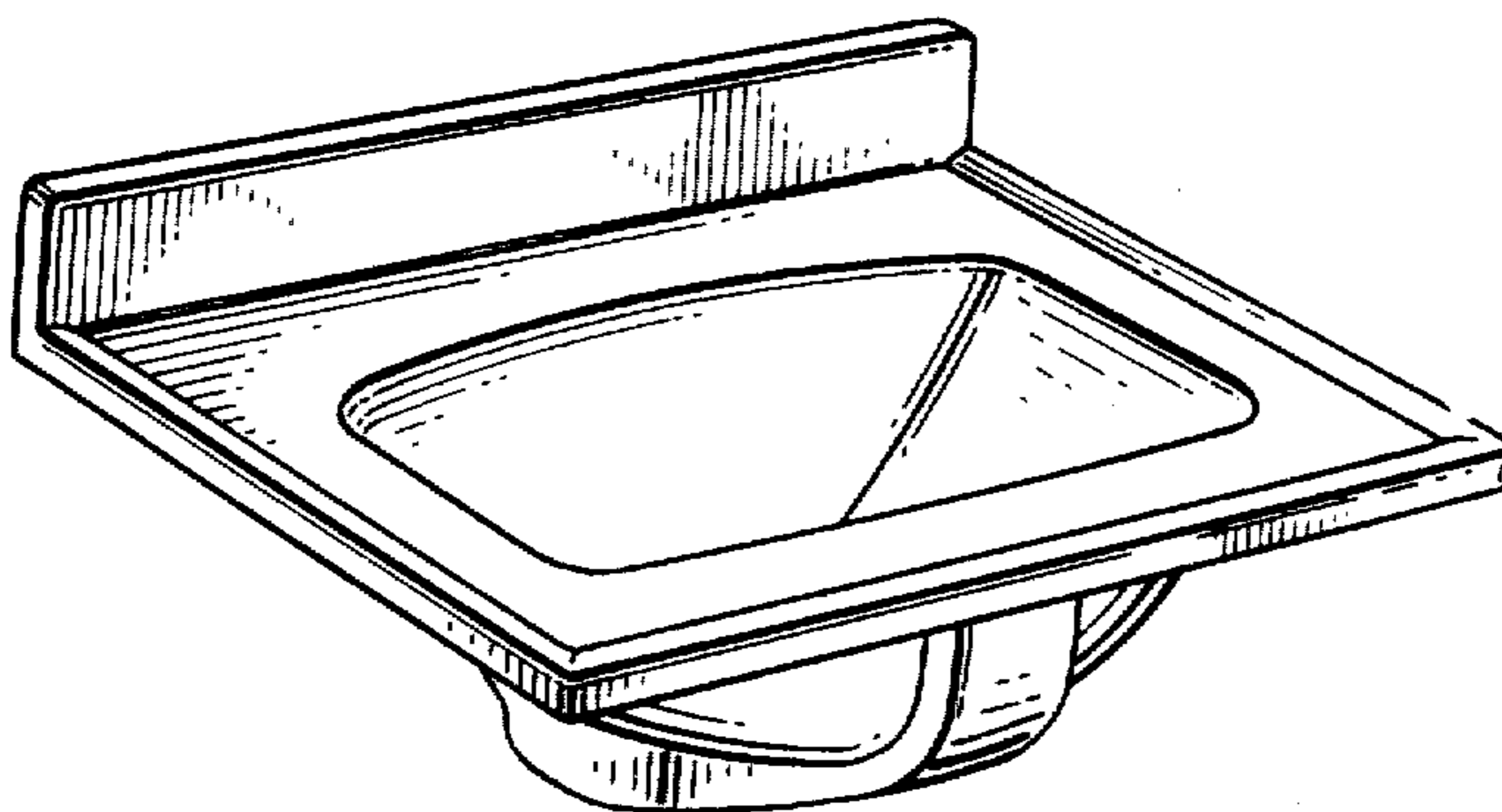
Primary Examiner—James R. Lagen  
Attorney, Agent, or Firm—Flam & Flam

[57] CLAIM

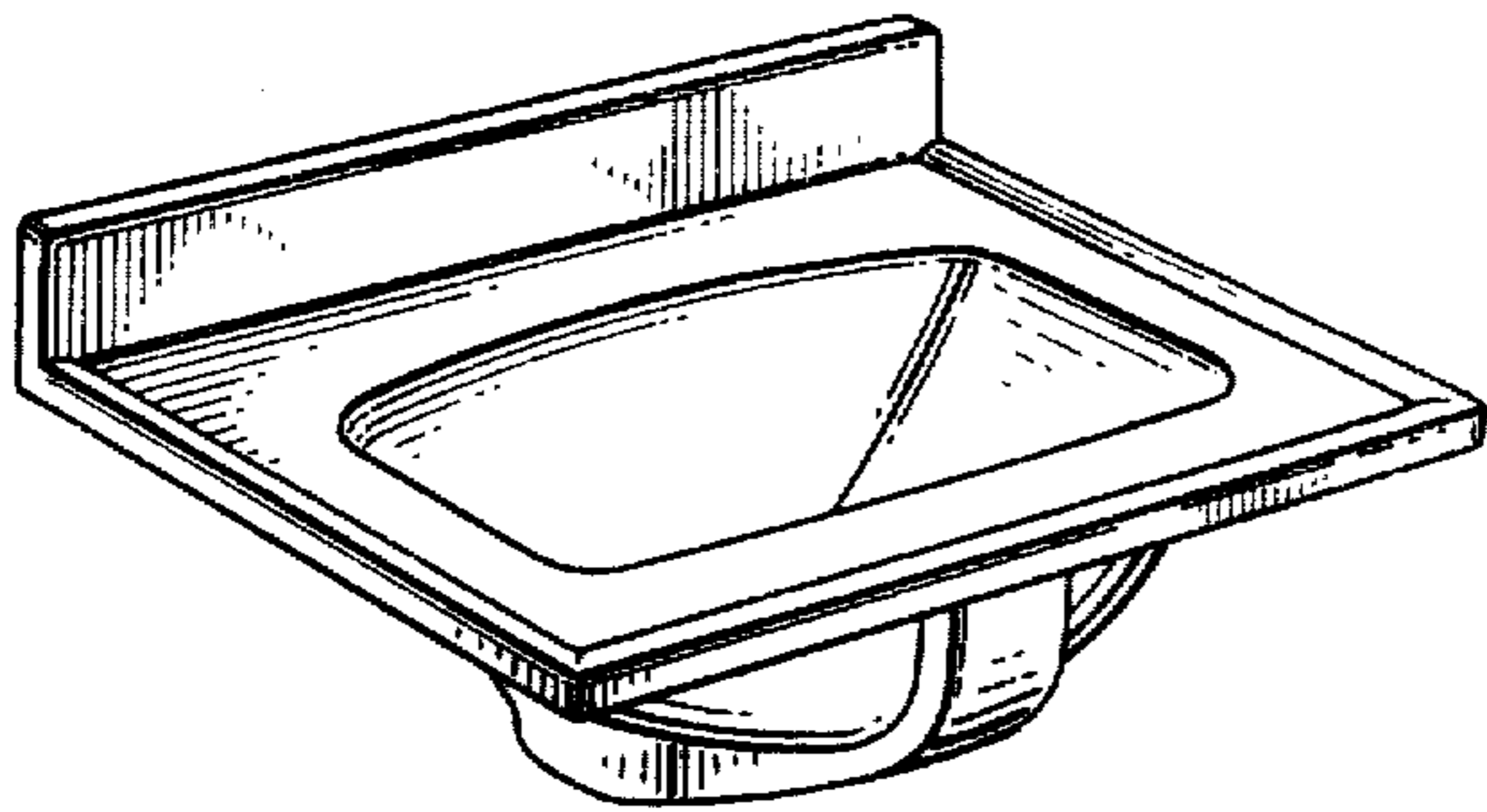
The ornamental design for a lavatory, substantially as shown.

DESCRIPTION

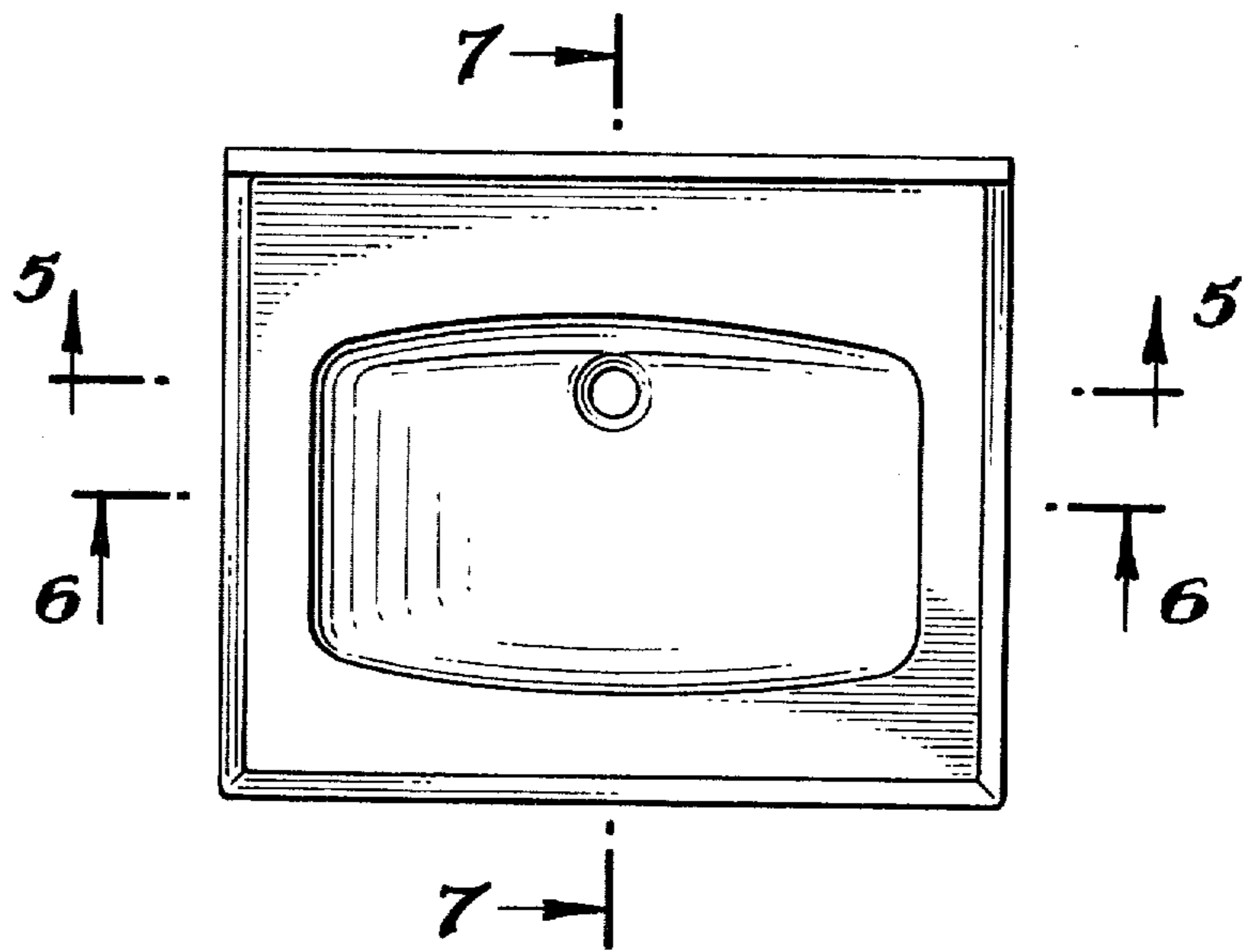
FIG. 1 is a perspective view taken from the top and front of a lavatory showing my new design;  
 FIG. 2 is a top plan view thereof;  
 FIG. 3 is a left side elevational view thereof;  
 FIG. 4 is a front elevational view thereof;  
 FIG. 5 is a cross sectional view taken on line 5—5 of FIG. 2;  
 FIG. 6 is a cross sectional view taken on line 6—6 of FIG. 2; and  
 FIG. 7 is a cross sectional view taken on line 7—7 of FIG. 2.



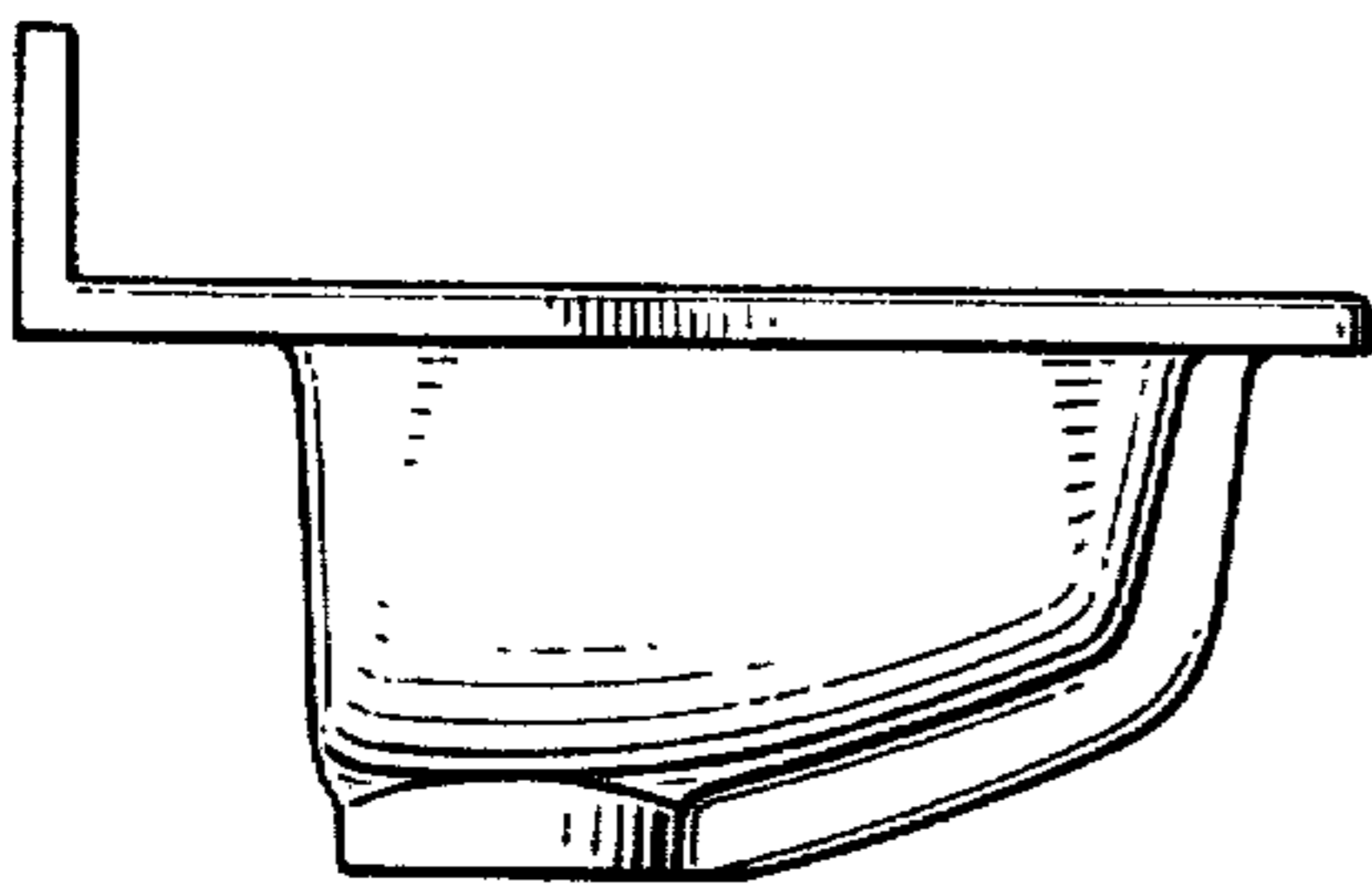
*FIG. 1.*



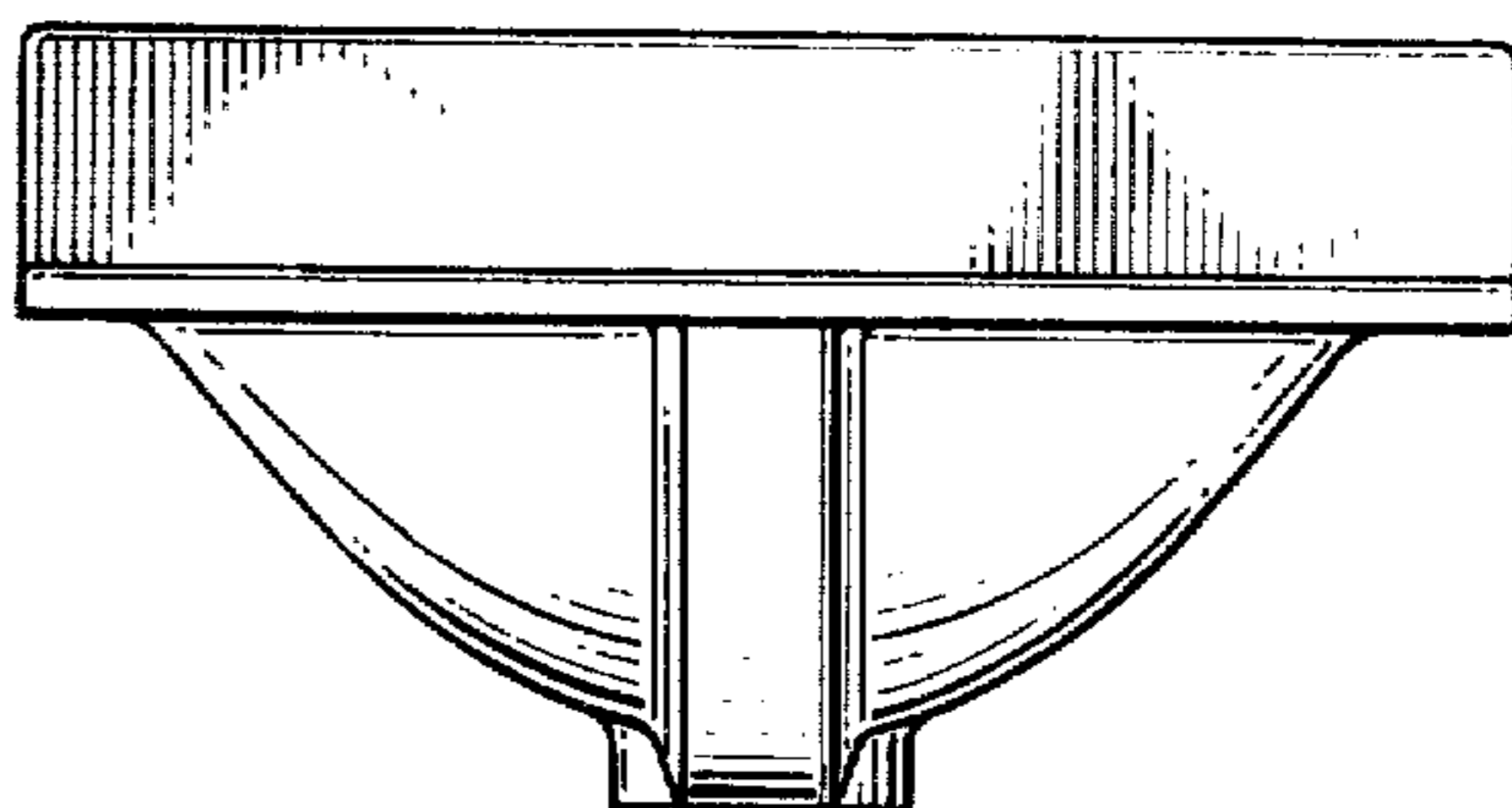
*FIG. 2.*



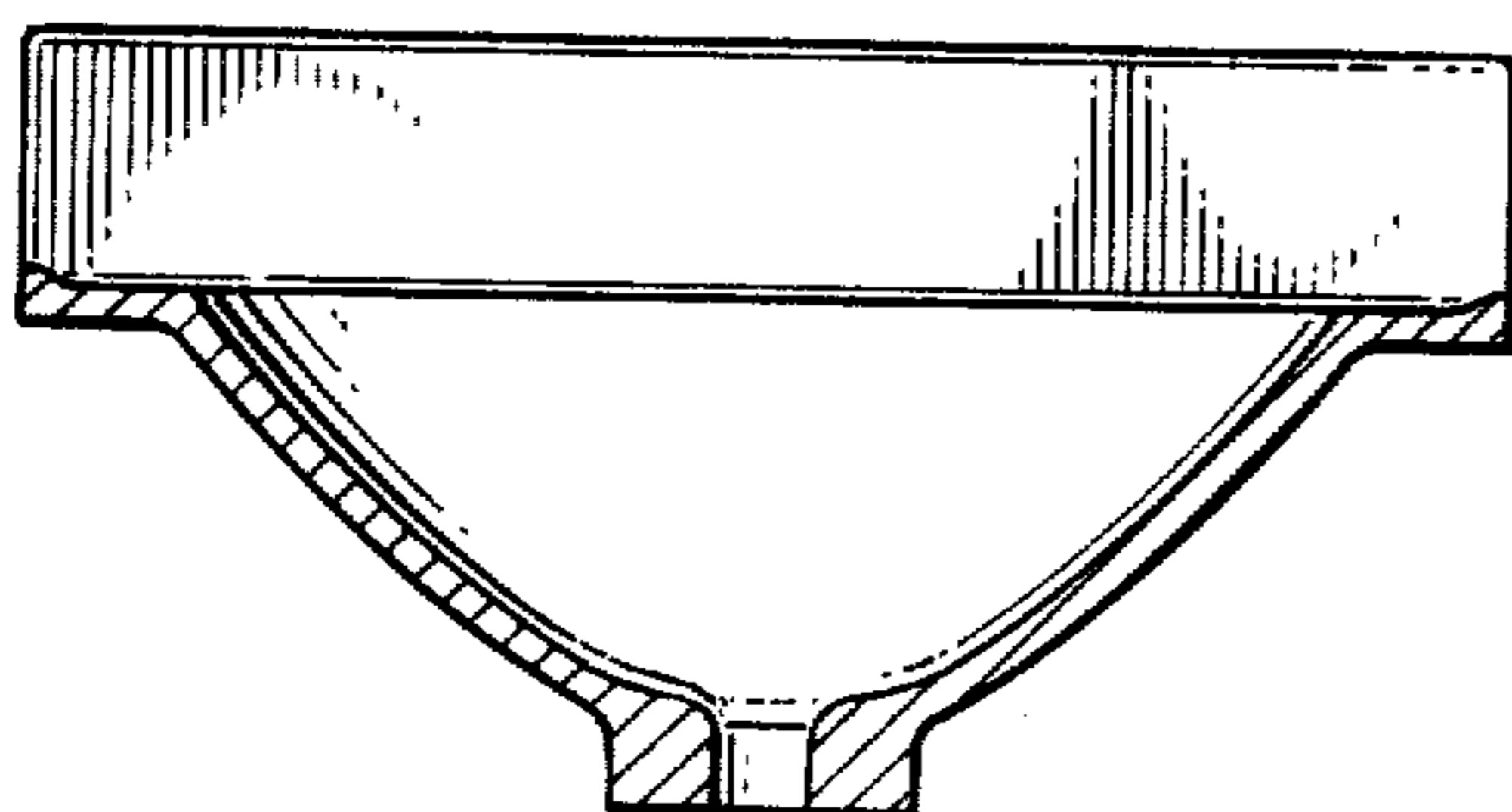
*FIG. 3.*



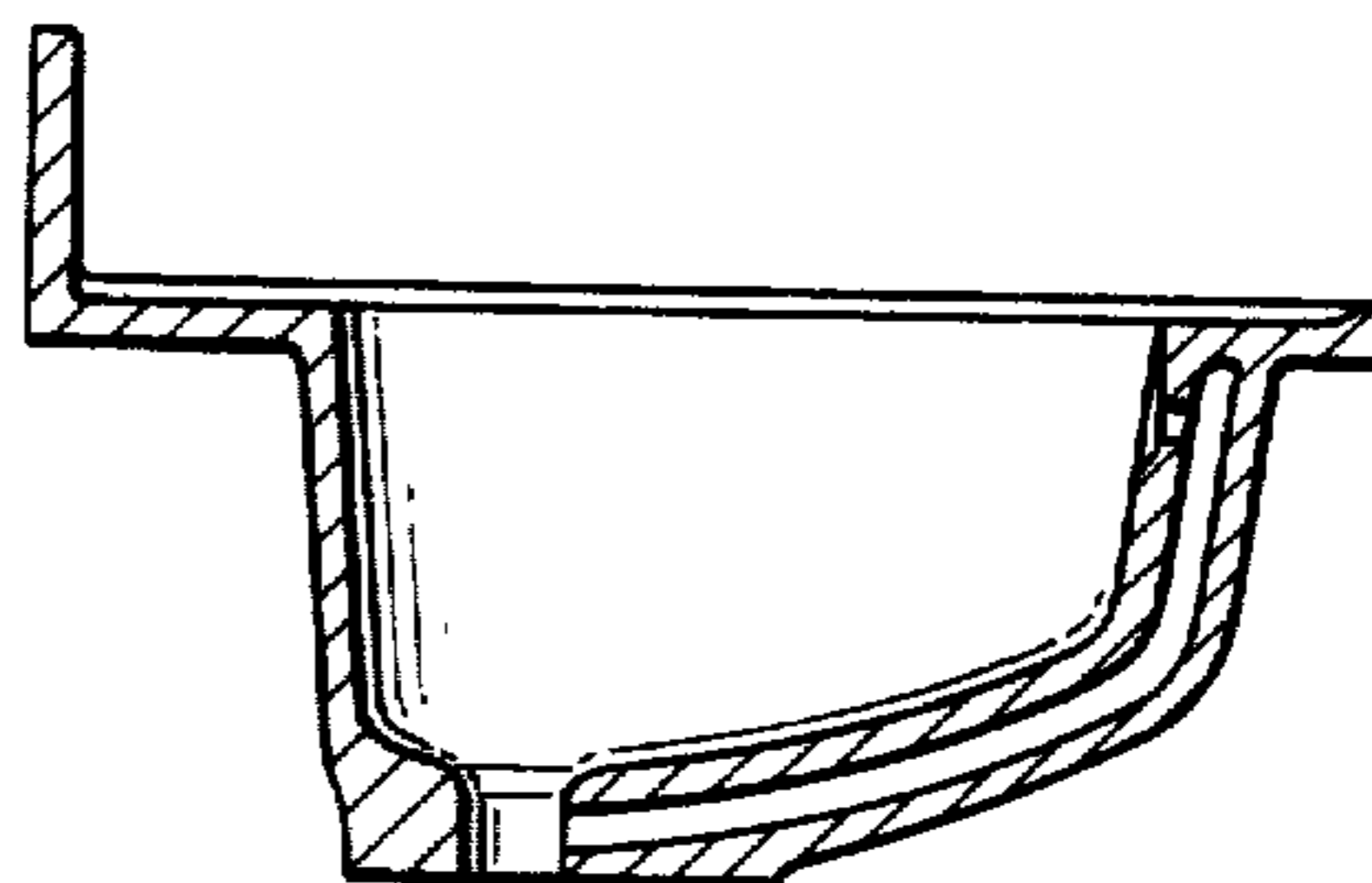
*FIG. 4.*



*Fig. 5.*



*Fig. 7.*



*Fig. 6.*

