

[54] DESK DRAWER MICROFICHE READER

D. 212,053 8/1968 Martinez D16/18 X

[75] Inventors: Steven R. Runyan, Los Altos Hills; William T. Link, Berkeley; Stephen Hobson, Palo Alto, all of Calif.

Primary Examiner—Leland A. Sebastian
Attorney, Agent, or Firm—Flehr, Hohbach, Test, Albritton & Herbert

[73] Assignee: Datagraphix, Inc., San Diego, Calif.

[57] CLAIM

[**] Term: 14 Years

The ornamental design for a desk drawer microfiche reader, as shown and described.

[21] Appl. No.: 127,265

DESCRIPTION

[22] Filed: Mar. 4, 1980

[51] Int. Cl. D16-03

FIG. 1 is a front, left side perspective view of a desk drawer microfiche reader showing our new design in a closed position;

[52] U.S. Cl. D16/18; D16/14

FIG. 2 is a front, left side perspective view in an opened position;

[58] Field of Search D16/11-19; 40/361; 350/241

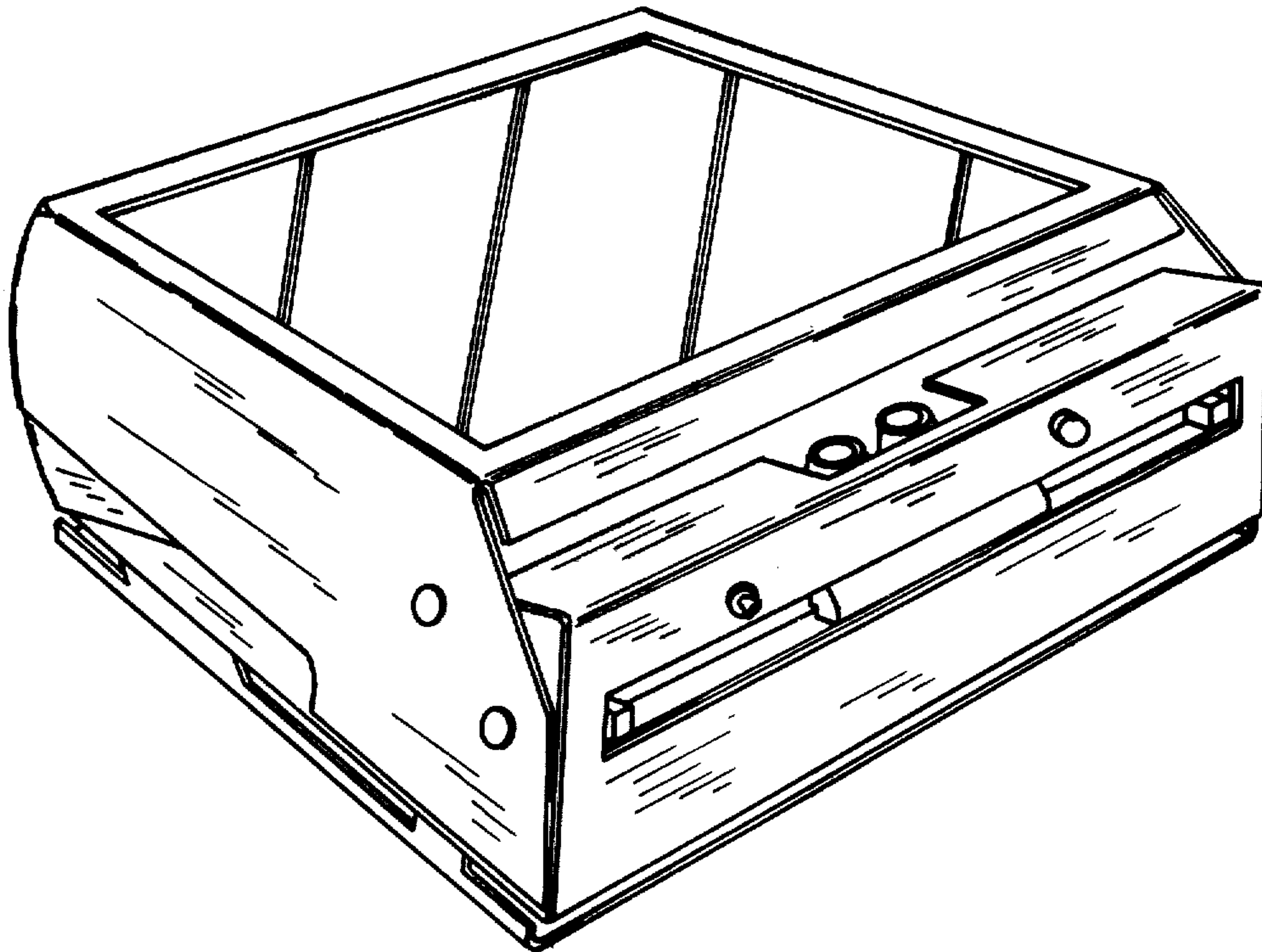
FIG. 3 is a right side elevational view in a closed position; and

[56] References Cited

U.S. PATENT DOCUMENTS

D. 164,153 8/1951 Barth D16/18

FIG. 4 is a right side elevational view in an opened position. The rear and bottom are not shown and are plain and unornamented.



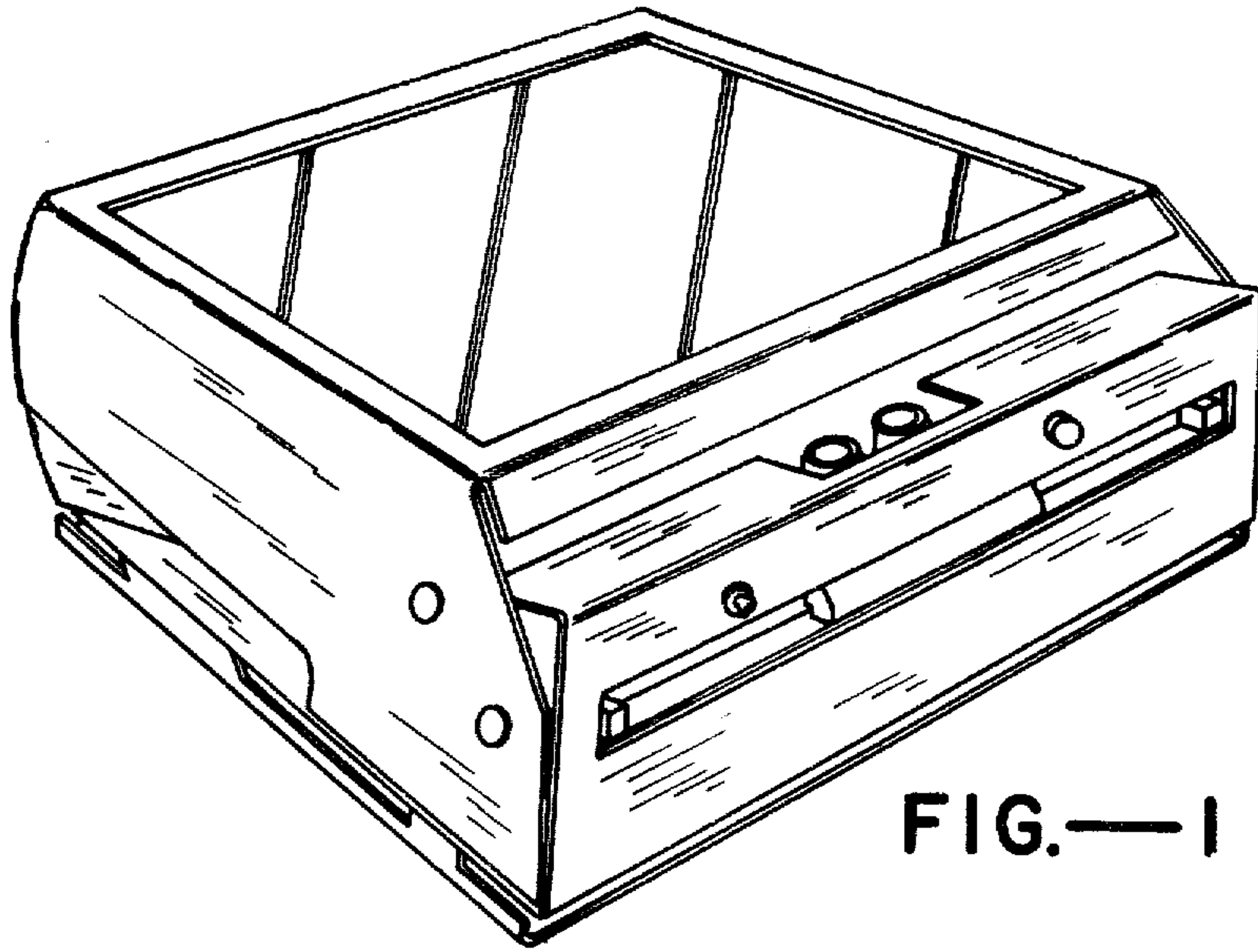


FIG.—1

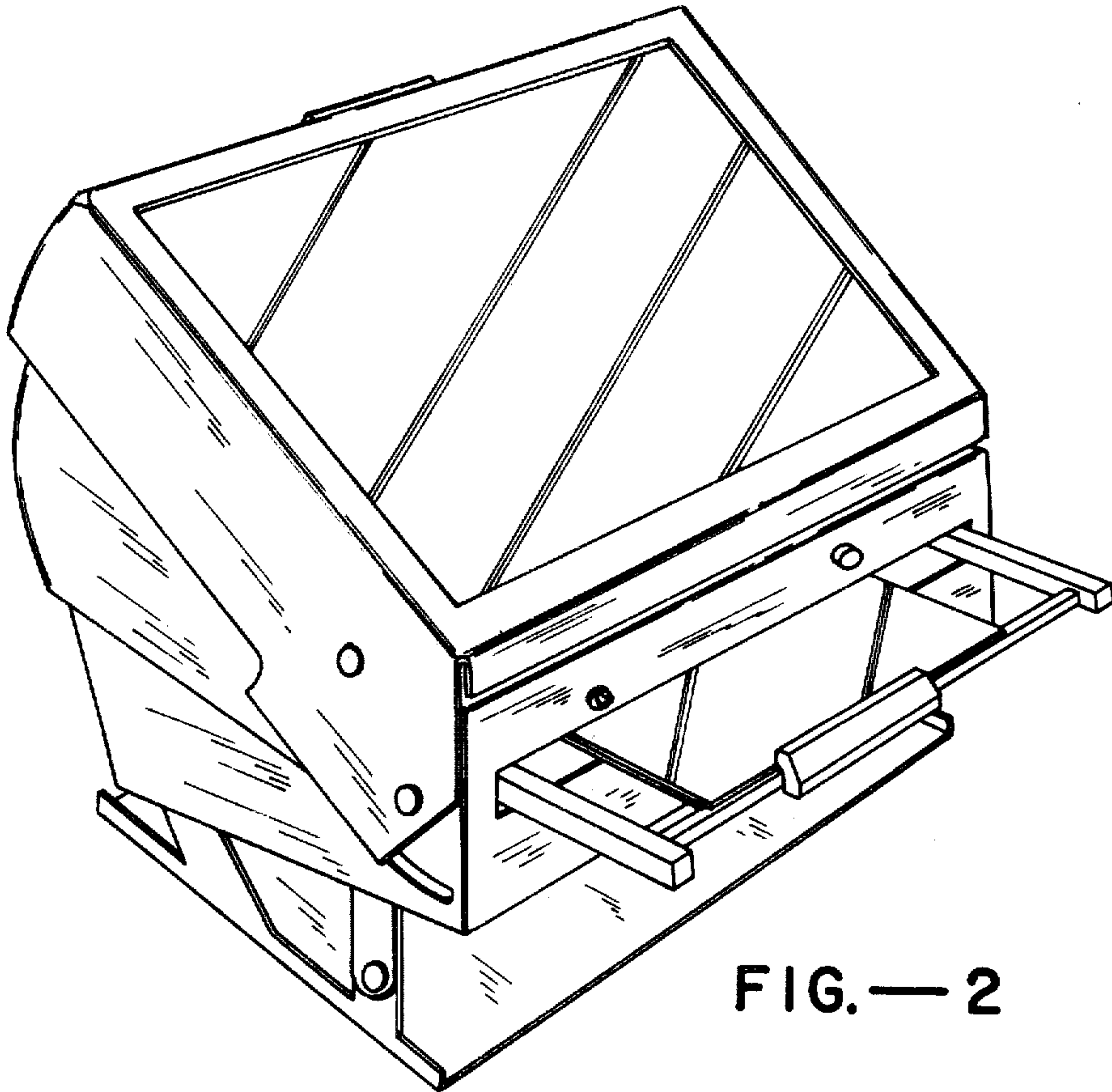


FIG.—2

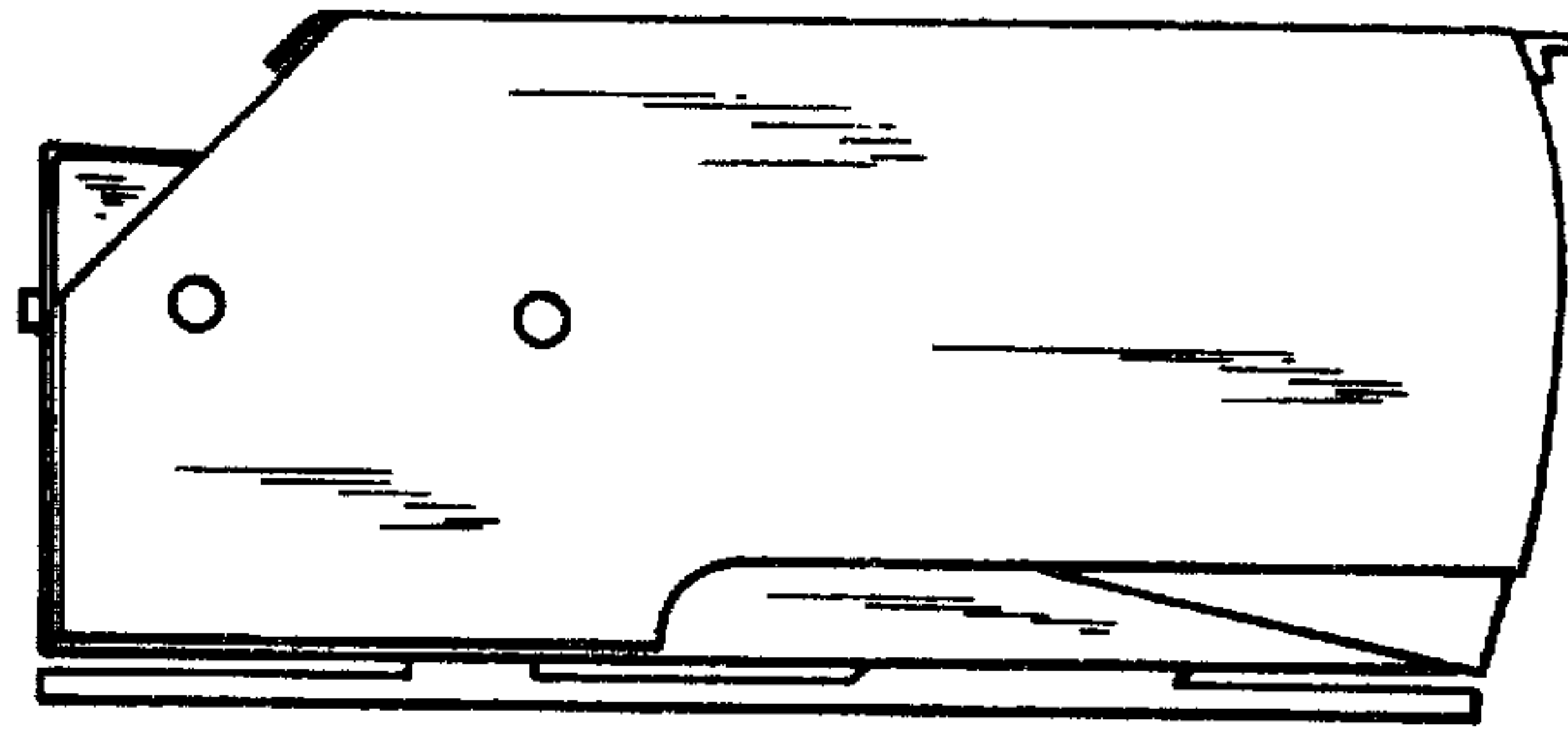


FIG.— 3

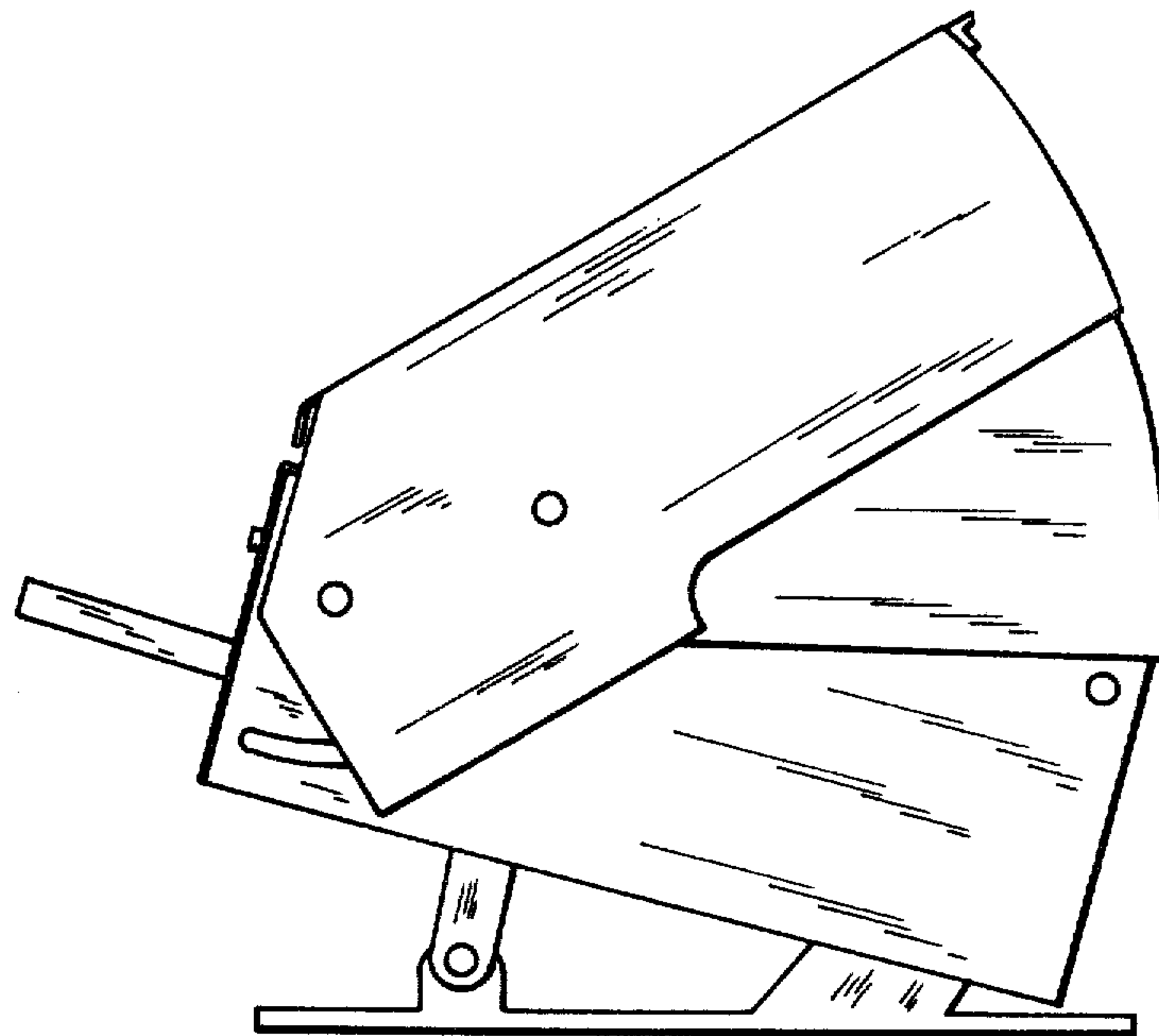


FIG.— 4