

[54] LAMINATING APPARATUS

[75] Inventor: Myron W. Shaffer, Irving, Tex.

[73] Assignee: Thermo-Seal, Inc., Fort Worth, Tex.

[**] Term: 14 Years

[21] Appl. No.: 205,238

[22] Filed: Nov. 10, 1980

[51] Int. Cl. D15-99

[52] U.S. Cl. D15/146; D15/199

[58] Field of Search D15/122, 123, 145, 146, D15/199; 156/499, 555

[56] References Cited

U.S. PATENT DOCUMENTS

D. 220,367	3/1971	Bley	D15/146
D. 246,246	11/1977	Shaffer	D15/146
3,770,550	11/1973	Levitan	156/555
3,901,758	8/1975	Humphries	156/555
4,090,911	5/1978	Shaffer	156/555

Primary Examiner—B. J. Bullock
Attorney, Agent, or Firm—James E. Bradley

[57] CLAIM

The ornamental design for the laminating apparatus, as shown.

DESCRIPTION

FIG. 1 is a front perspective view of a laminating apparatus embodying my new design;
FIG. 2 is a rear perspective view thereof;
FIG. 3 is a bottom plan view thereof;
FIG. 4 is a top plan view thereof.

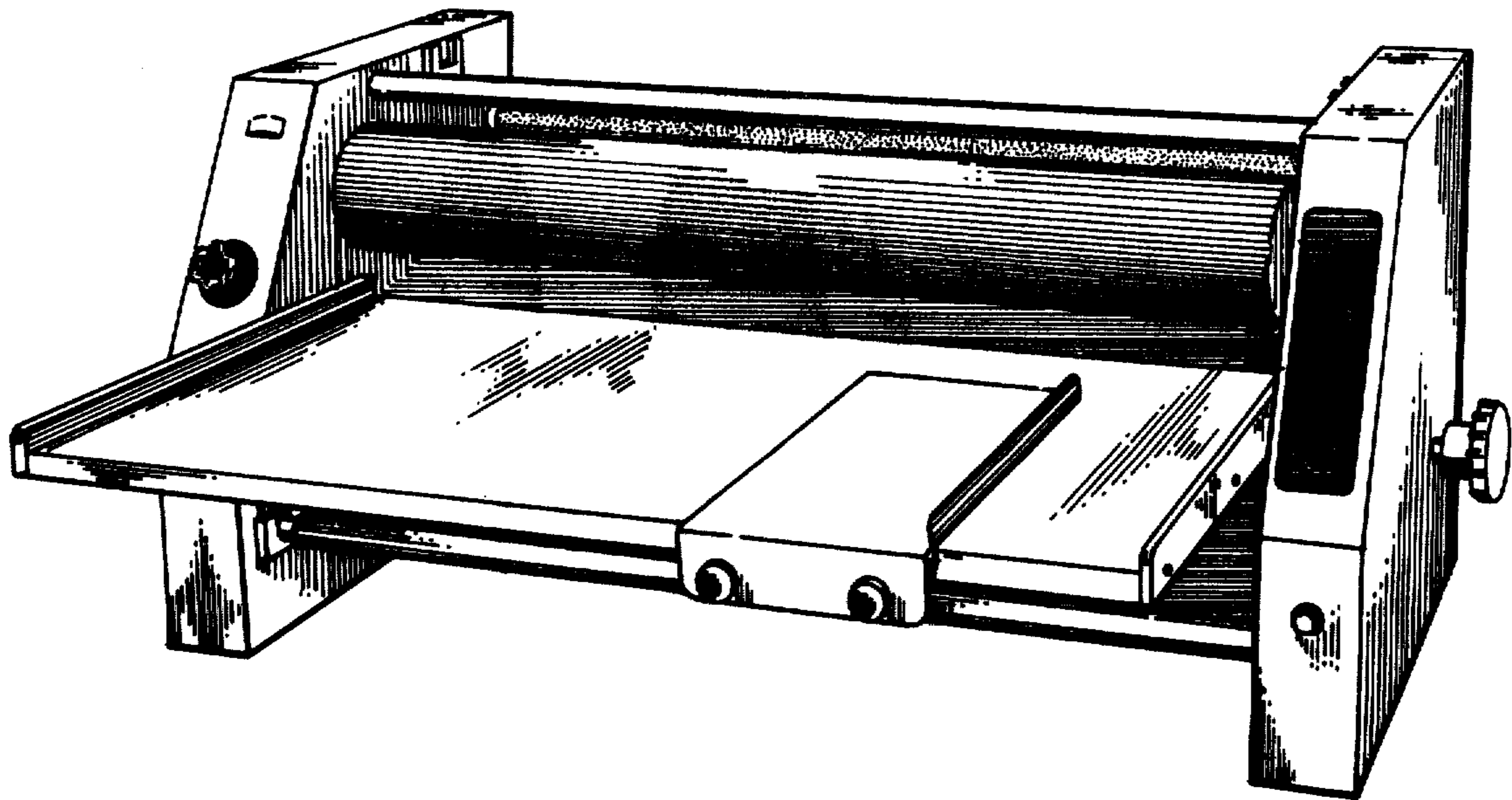


Fig. 1

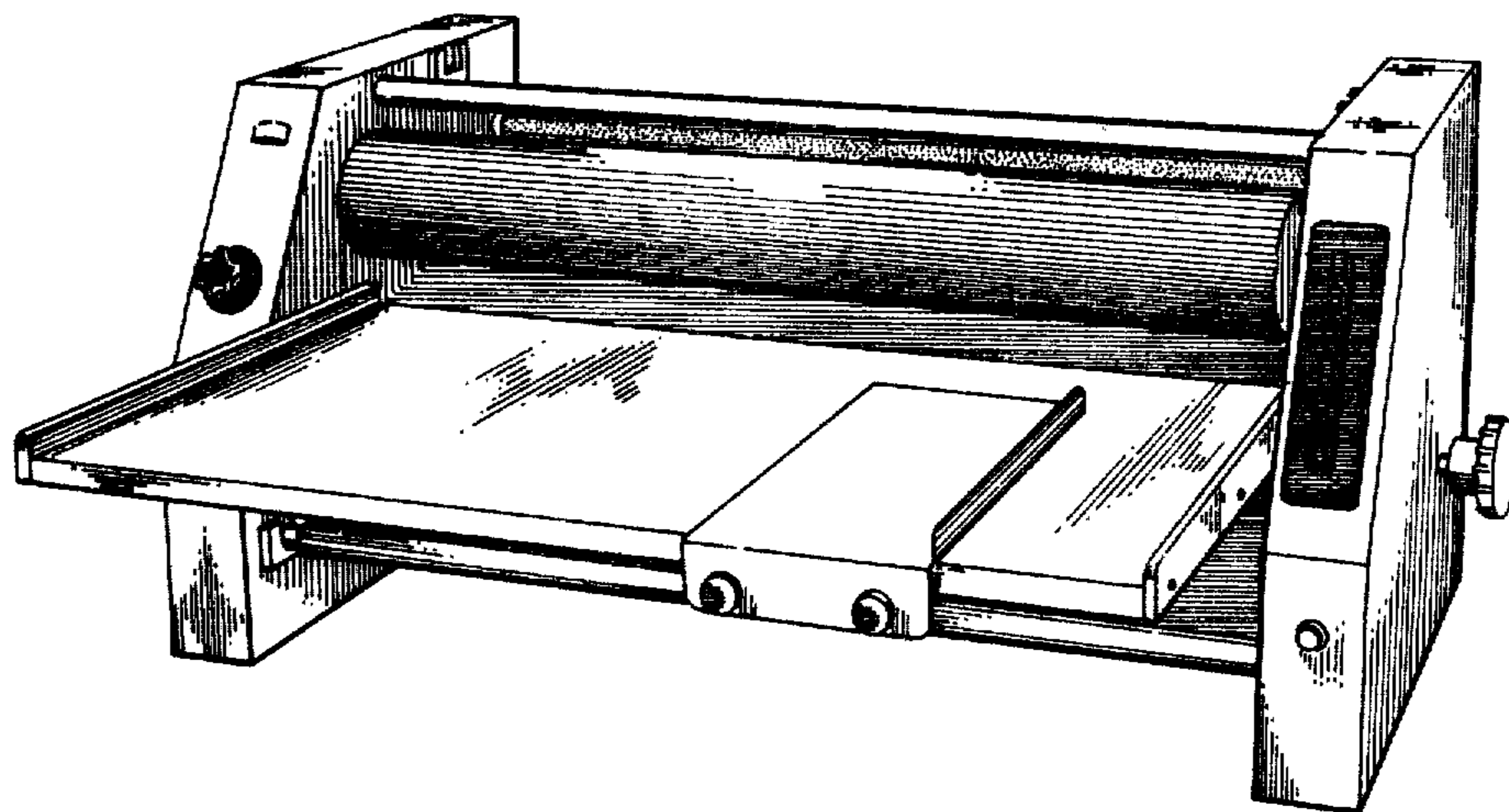


Fig. 2

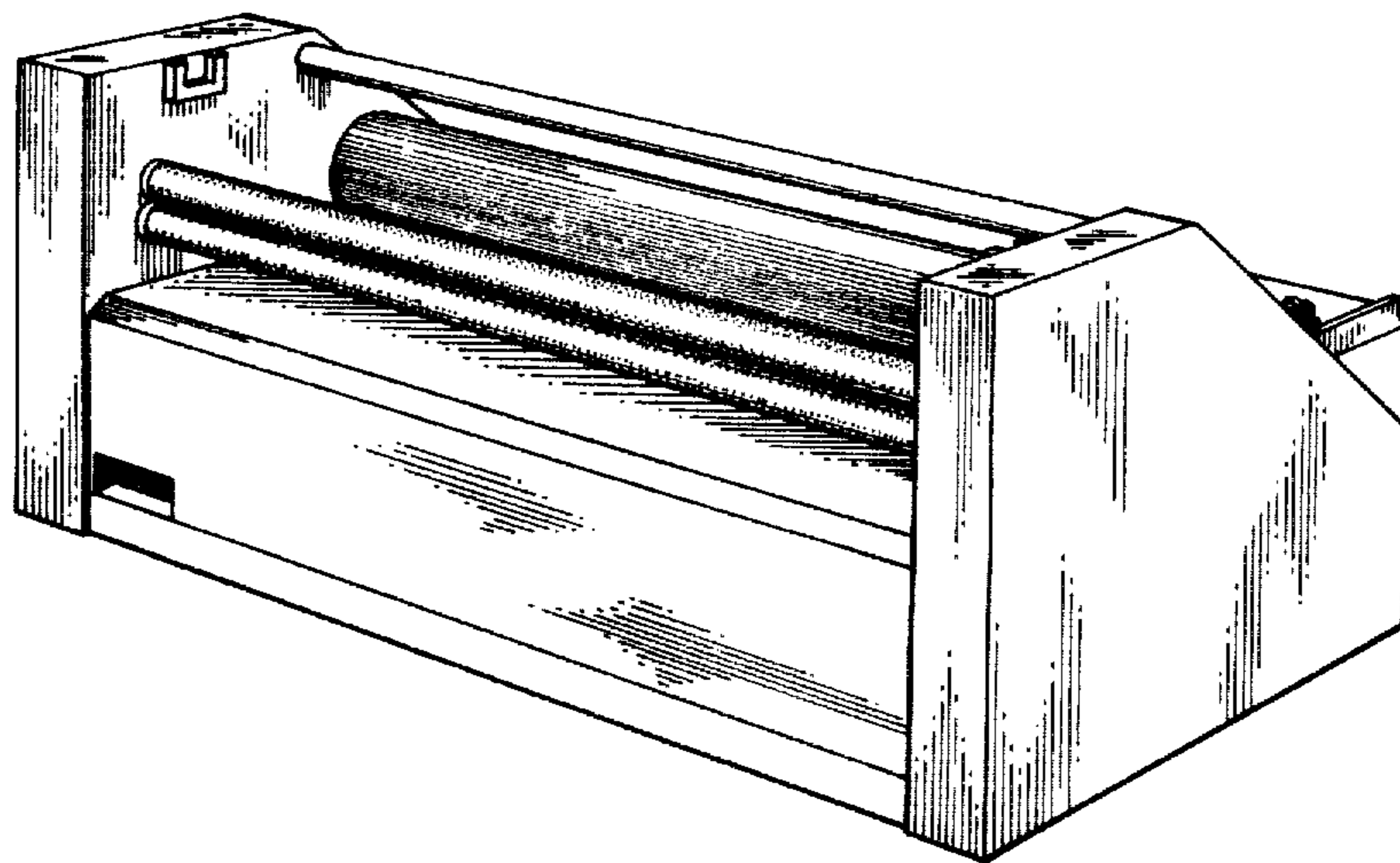


Fig. 3

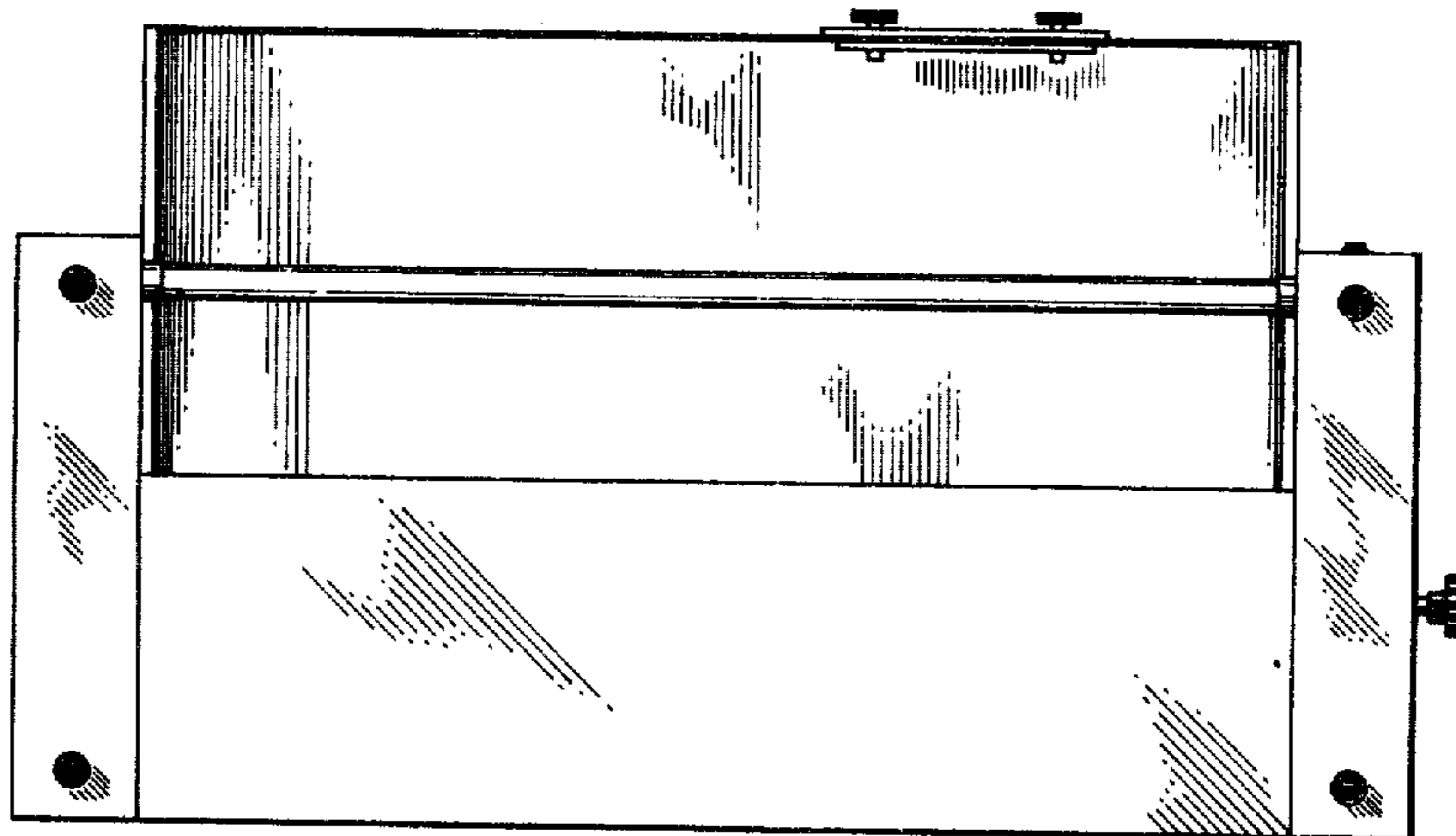


Fig. 4

