

[54] **STRIP MATERIAL FOLDER**

[75] **Inventor:** Jerry W. Lanier, Carrollton, Ga.
[73] **Assignee:** Southwire Company, Carrollton, Ga.
[**] **Term:** Years
[21] **Appl. No.:** 219,627
[22] **Filed:** Dec. 24, 1980

[51] **Int. Cl.** D15—99
[52] **U.S. Cl.** D15/145; D15/122;
D15/199
[58] **Field of Search** D15/122, 199, 145;
156/47, 49

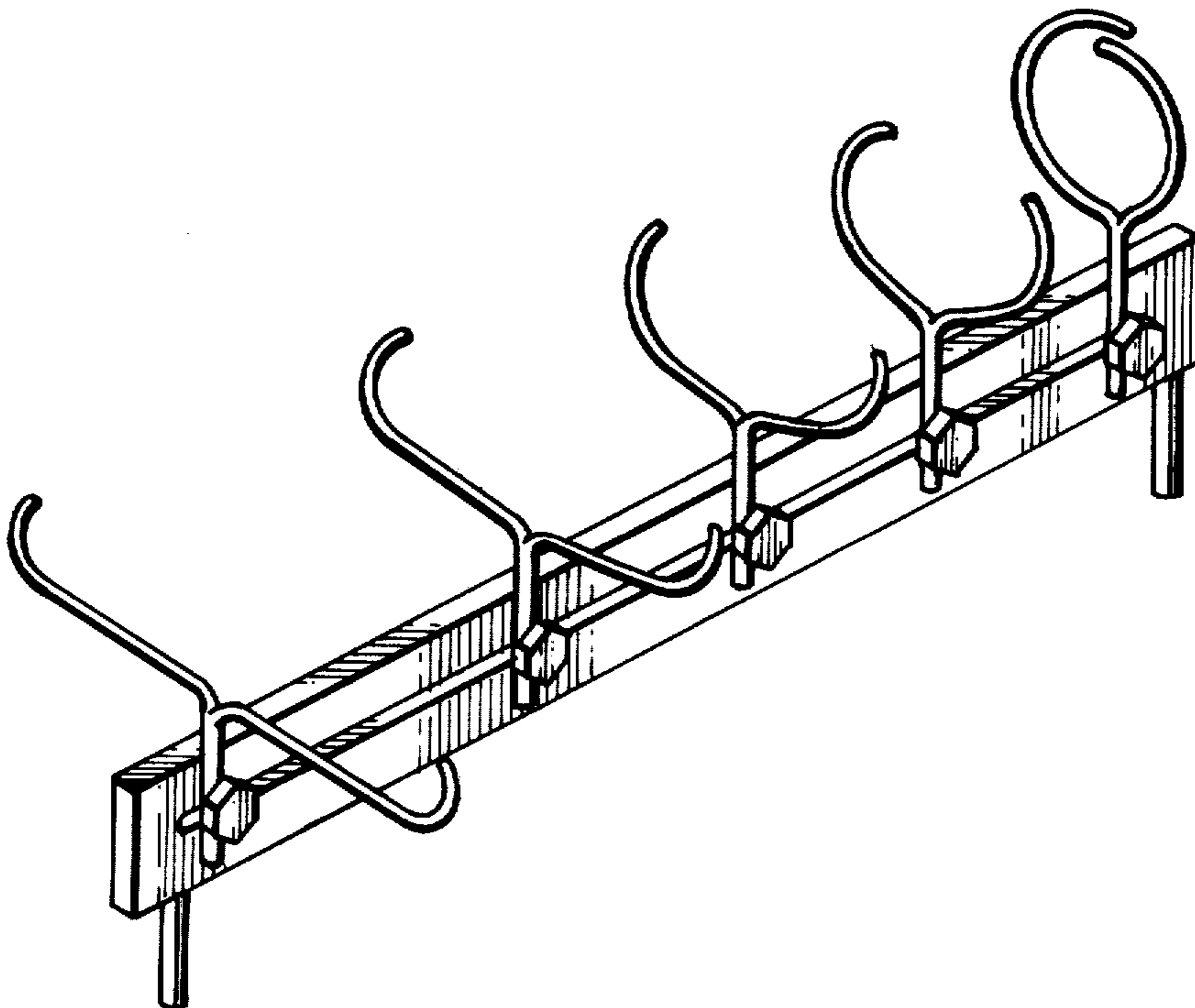
[56] **References Cited**
U.S. PATENT DOCUMENTS
D. 230,504 2/1974 Gentry D15/122
3,574,015 4/1971 Blee 156/47
3,737,997 6/1973 Davis 156/49

Primary Examiner—B. J. Bullock
Attorney, Agent, or Firm—Herbert M. Hanegan; Stanley L. Tate; R. Steven Linne

[57] **CLAIM**
The ornamental design for a strip material folder, substantially as shown and described.

DESCRIPTION

FIG. 1 is a perspective view of a strip material folder showing my new design;
FIG. 2 is a side elevational view taken from the right of FIG. 1, the side opposite being a mirror image thereof;
FIG. 3 is an end elevational view taken from the left of FIG. 1.



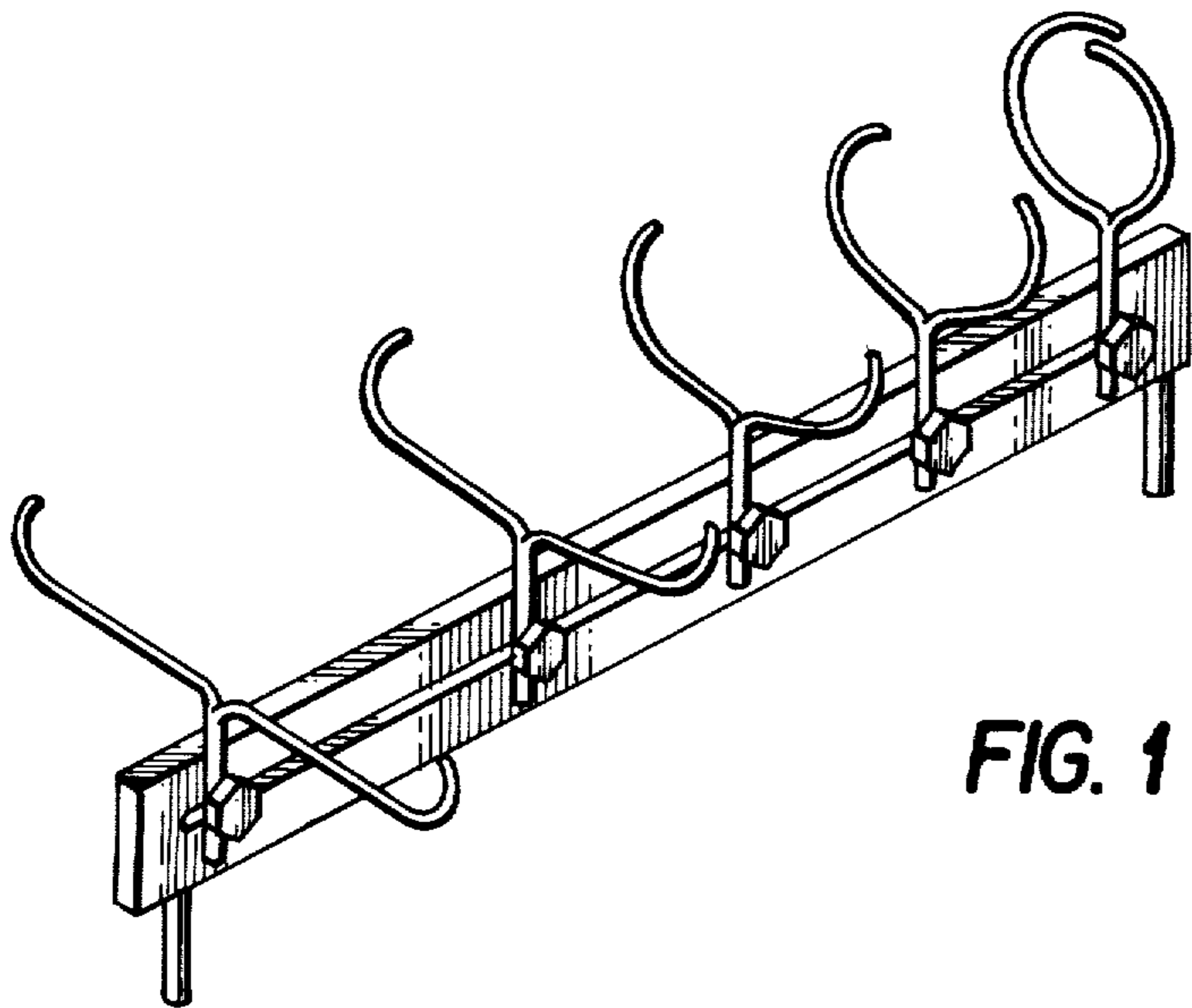


FIG. 1

FIG. 2

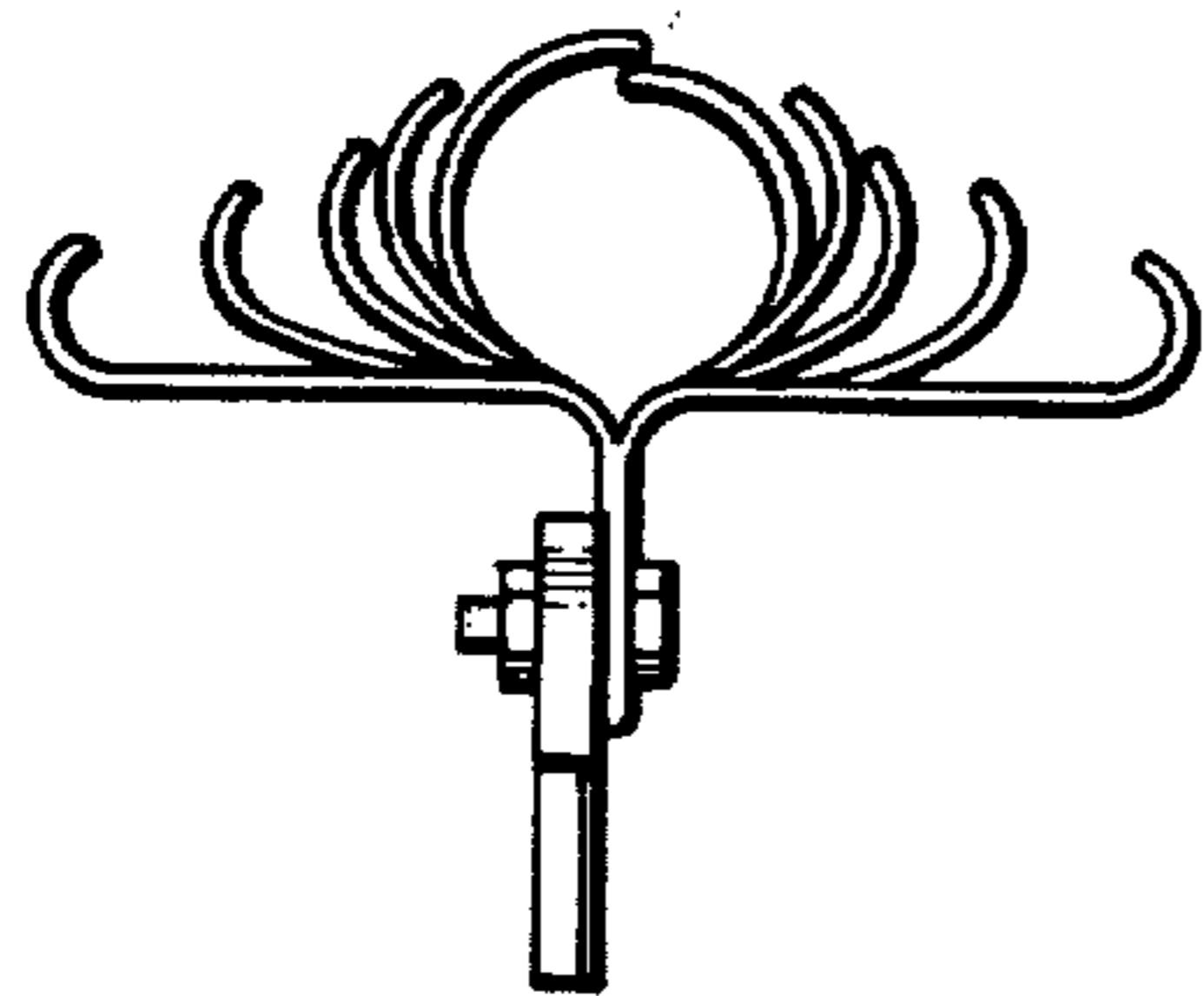
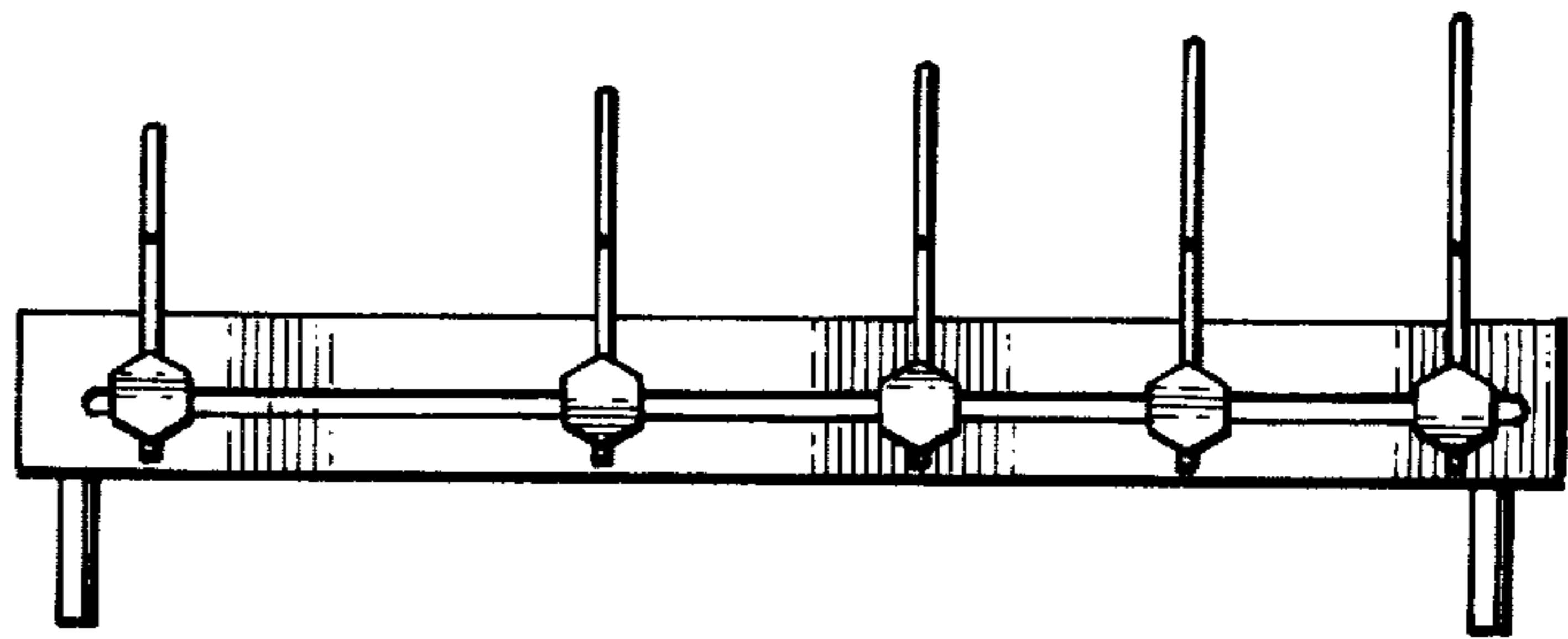


FIG. 3