

[54] **ELECTRIC REFRIGERATOR**

[75] Inventor: **Kazuyuki Ogiwara, Maebashi, Japan**

[73] Assignee: **Sawafuji Electric Co., Ltd., Japan**

[**] Term: **14 Years**

[21] Appl. No.: **125,834**

[22] Filed: **Feb. 29, 1980**

[30] **Foreign Application Priority Data**
Sep. 11, 1979 [JP] Japan 54-38414

[51] Int. Cl. **D15-07**

[52] U.S. Cl. **D15/83**

[58] Field of Search **D15/83, 81; 62/440, 62/457; 312/236**

[56] **References Cited**
U.S. PATENT DOCUMENTS
D. 256,587 8/1980 Tatsumi D15/83
Primary Examiner—James M. Gandy
Attorney, Agent, or Firm—McGlew and Tuttle

[57] **CLAIM**
The ornamental design for an electric refrigerator, as shown and described.

DESCRIPTION

FIG. 1 is a perspective view of an electric refrigerator showing my new design with the door in closed condition;

FIG. 2 is a perspective view thereof with the door in open condition;

FIG. 3 is a front elevational view thereof;

FIG. 4 is a right side elevational view thereof;

FIG. 5 is a rear elevational view thereof;

FIG. 6 is a left side elevational view thereof;

FIG. 7 is a top plan view thereof; and

FIG. 8 is a bottom plan view thereof.

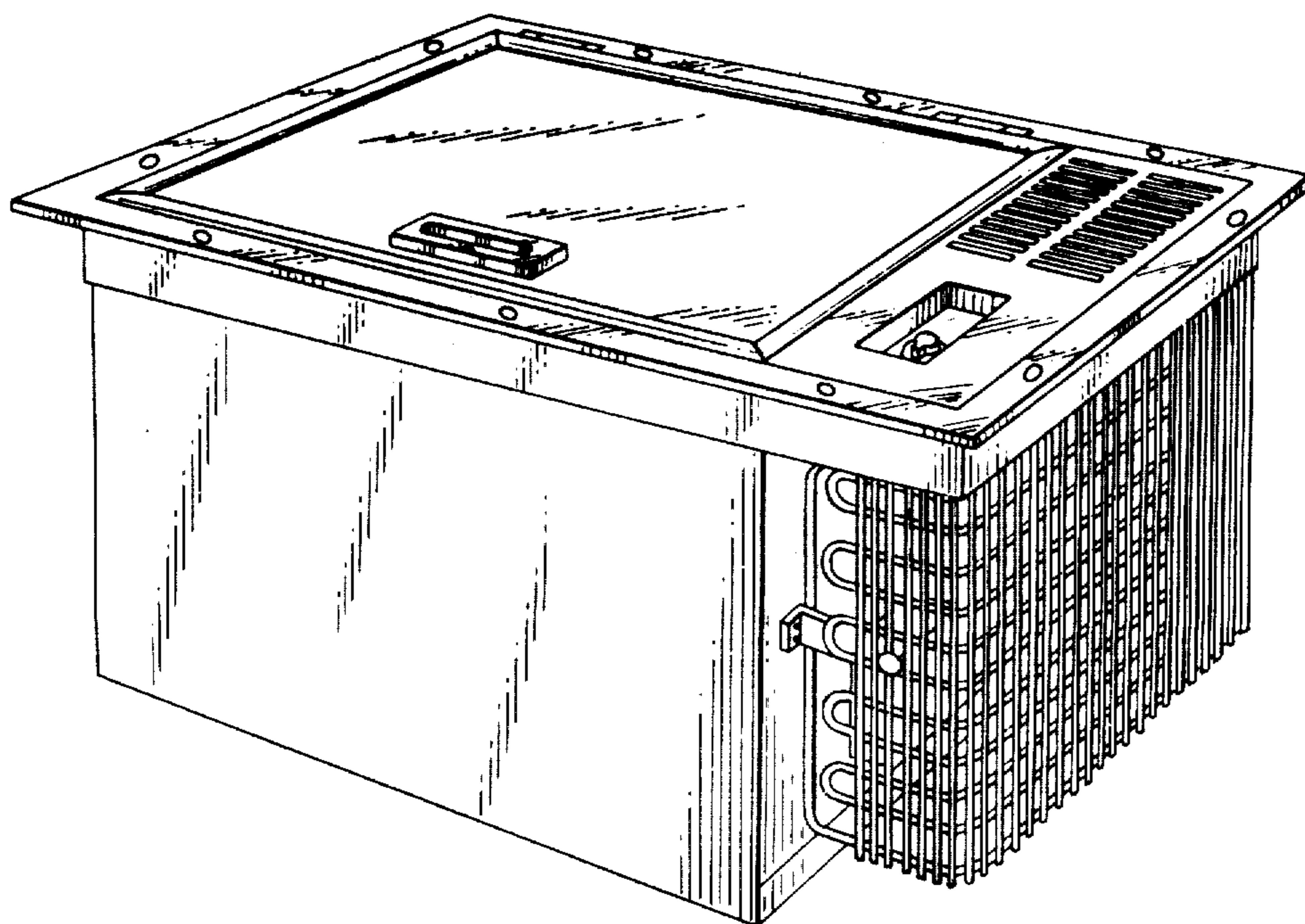


FIG. 1

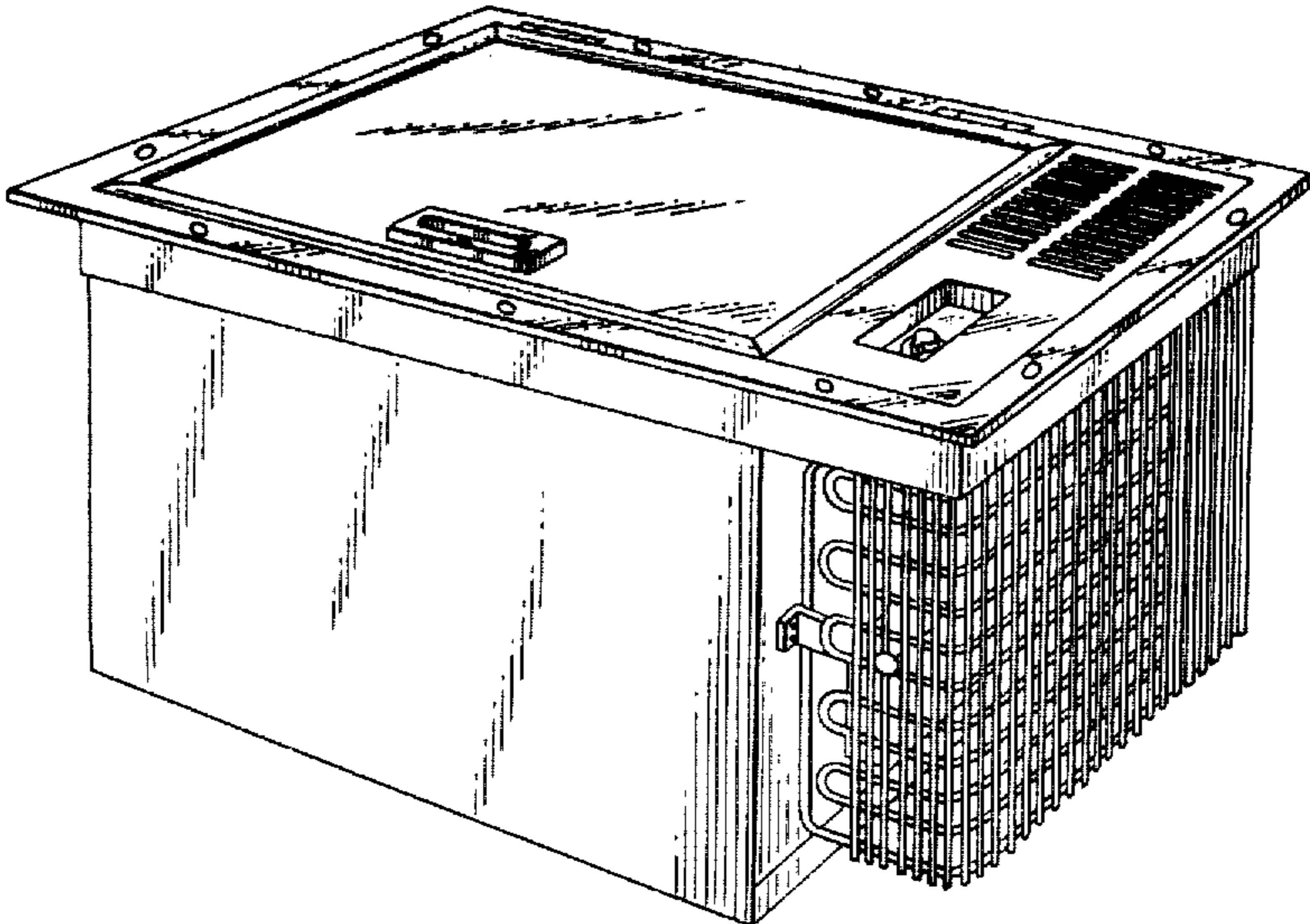


FIG. 2

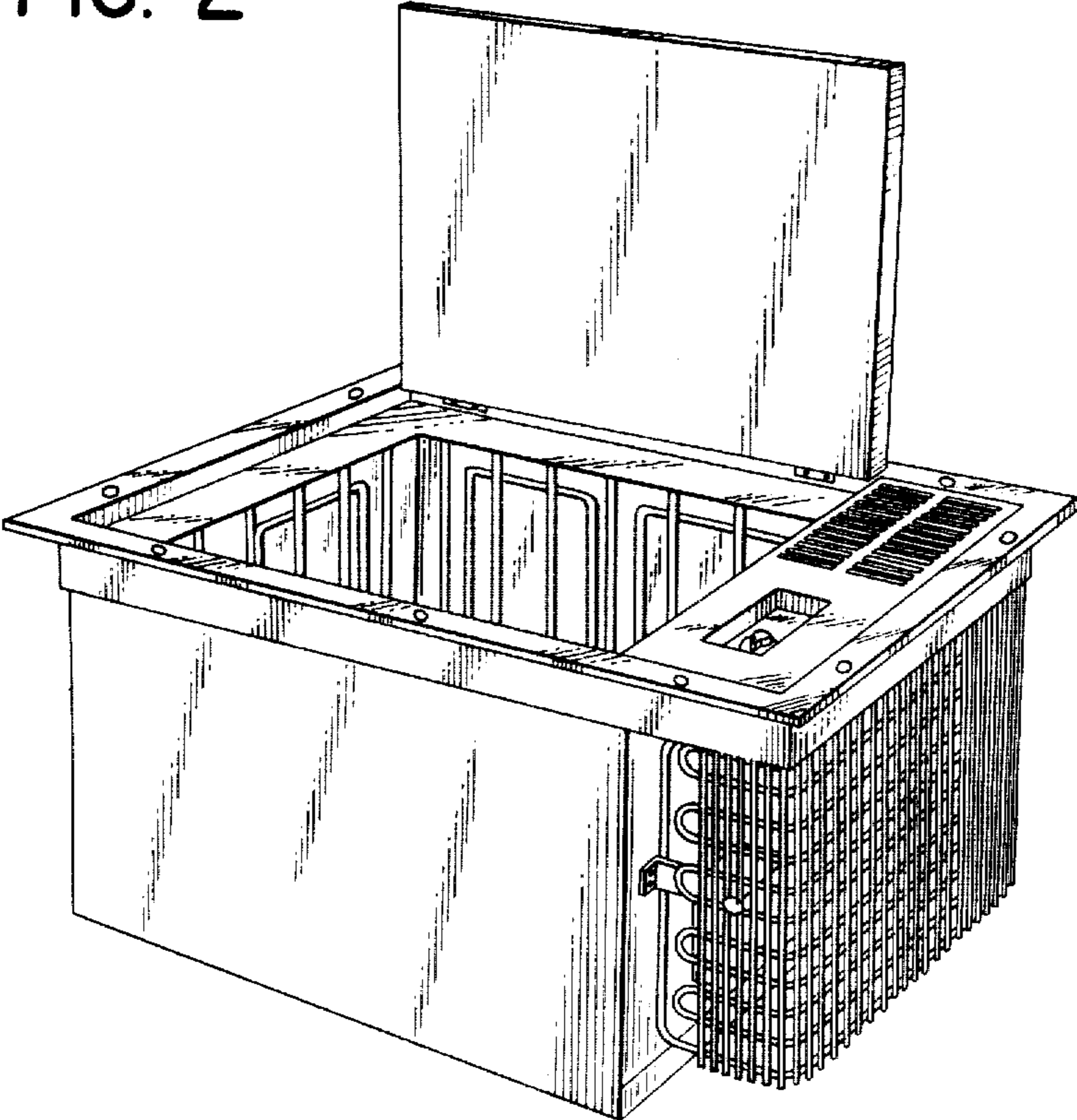


FIG. 3

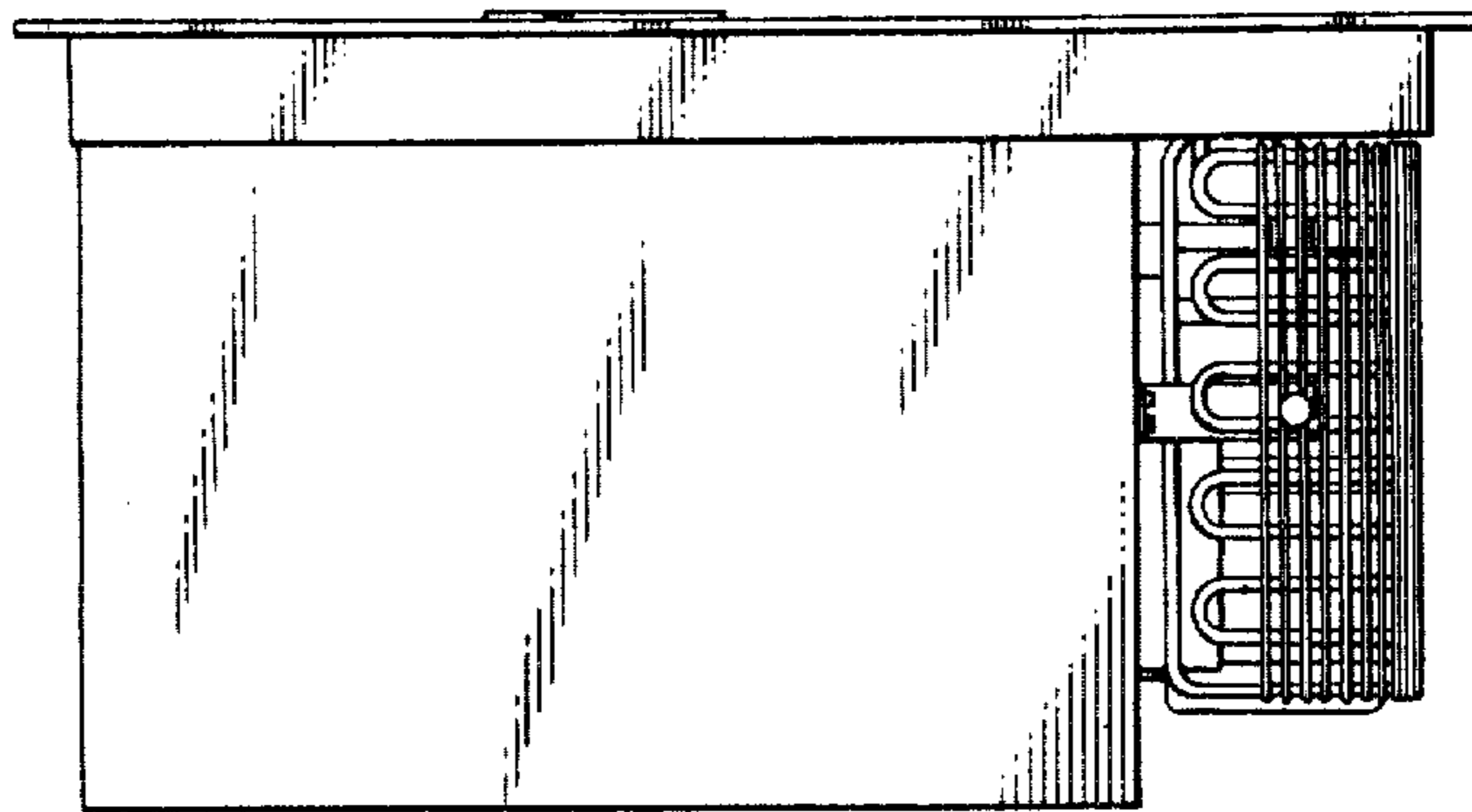


FIG. 5

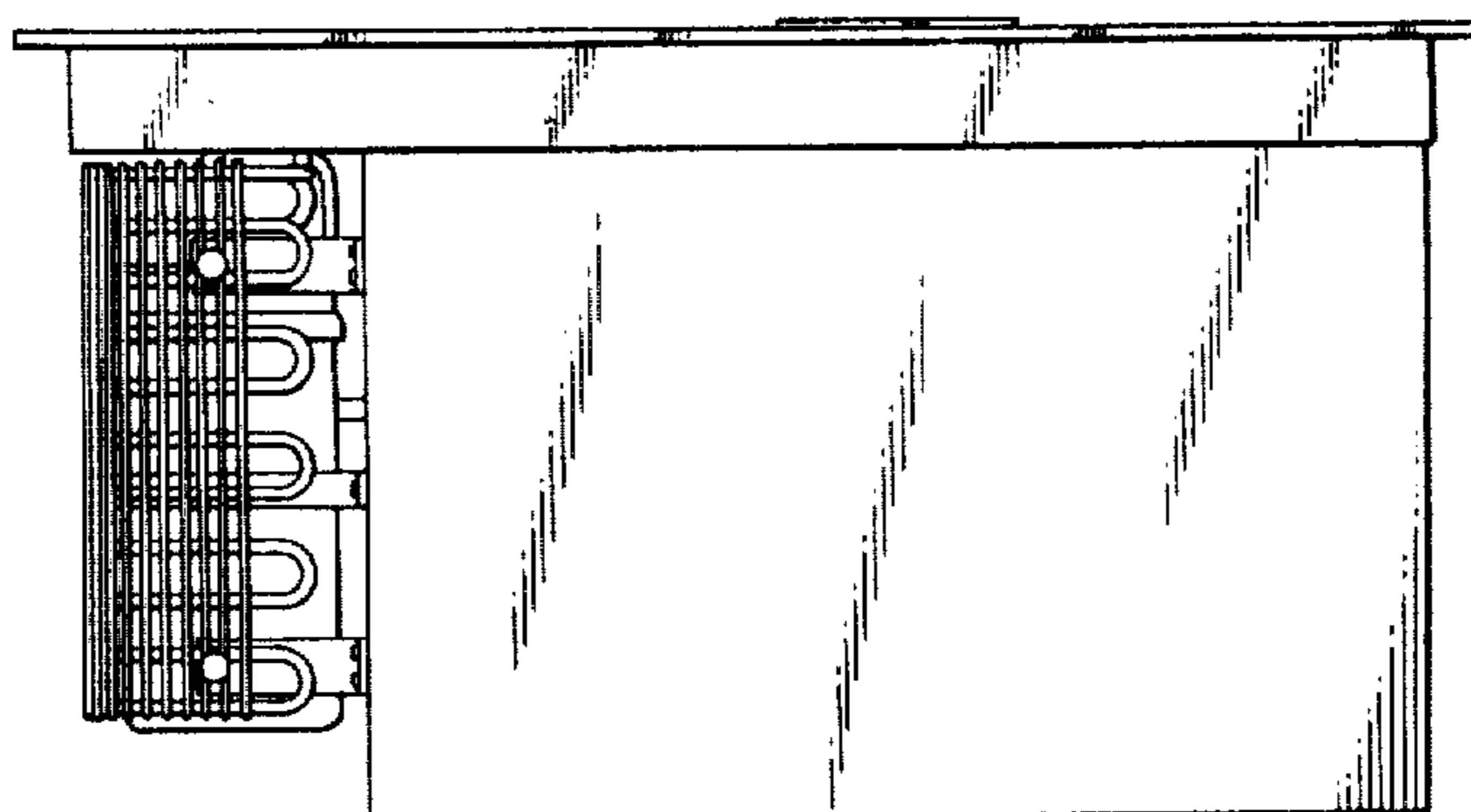


FIG. 6

FIG. 4

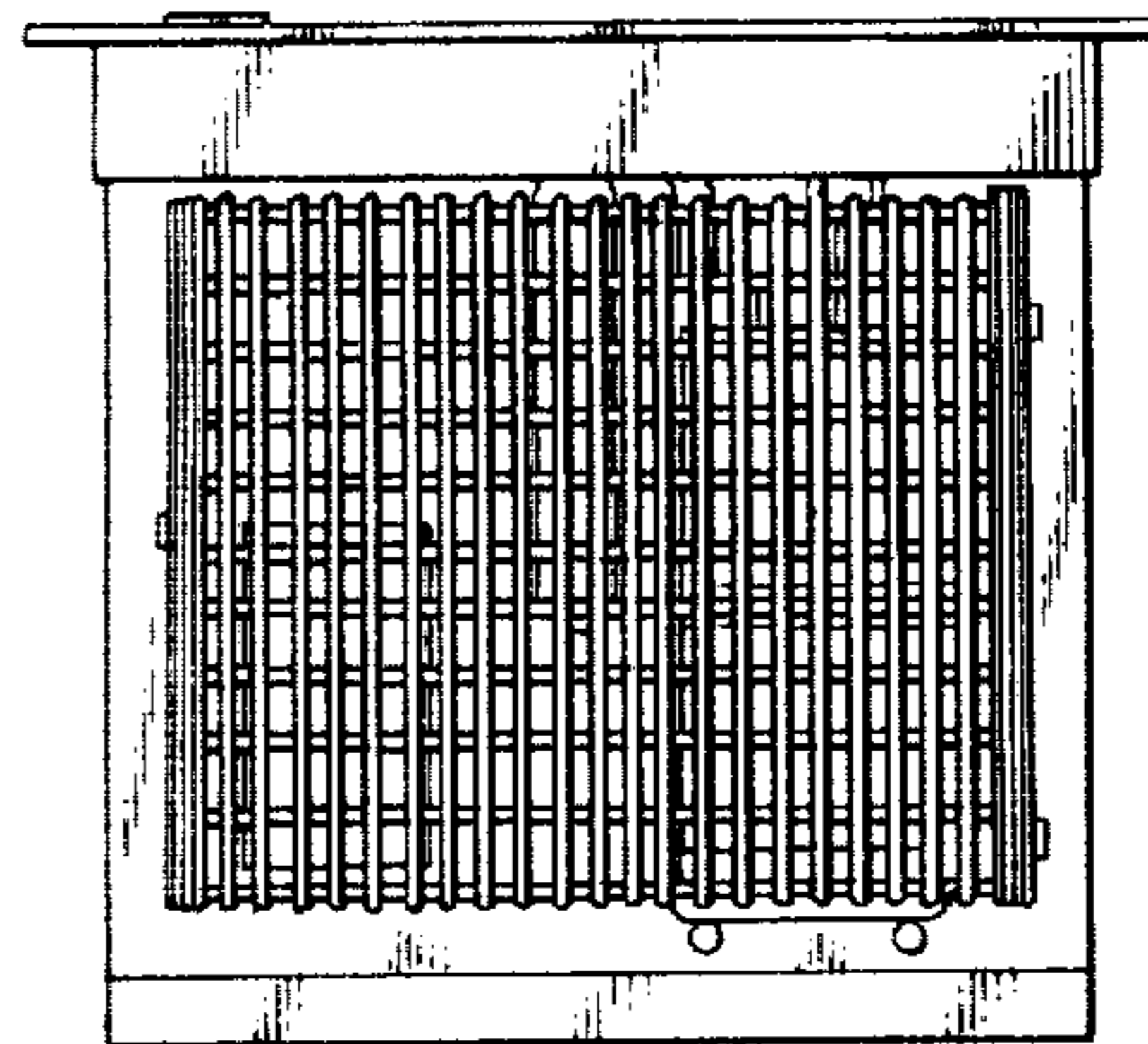
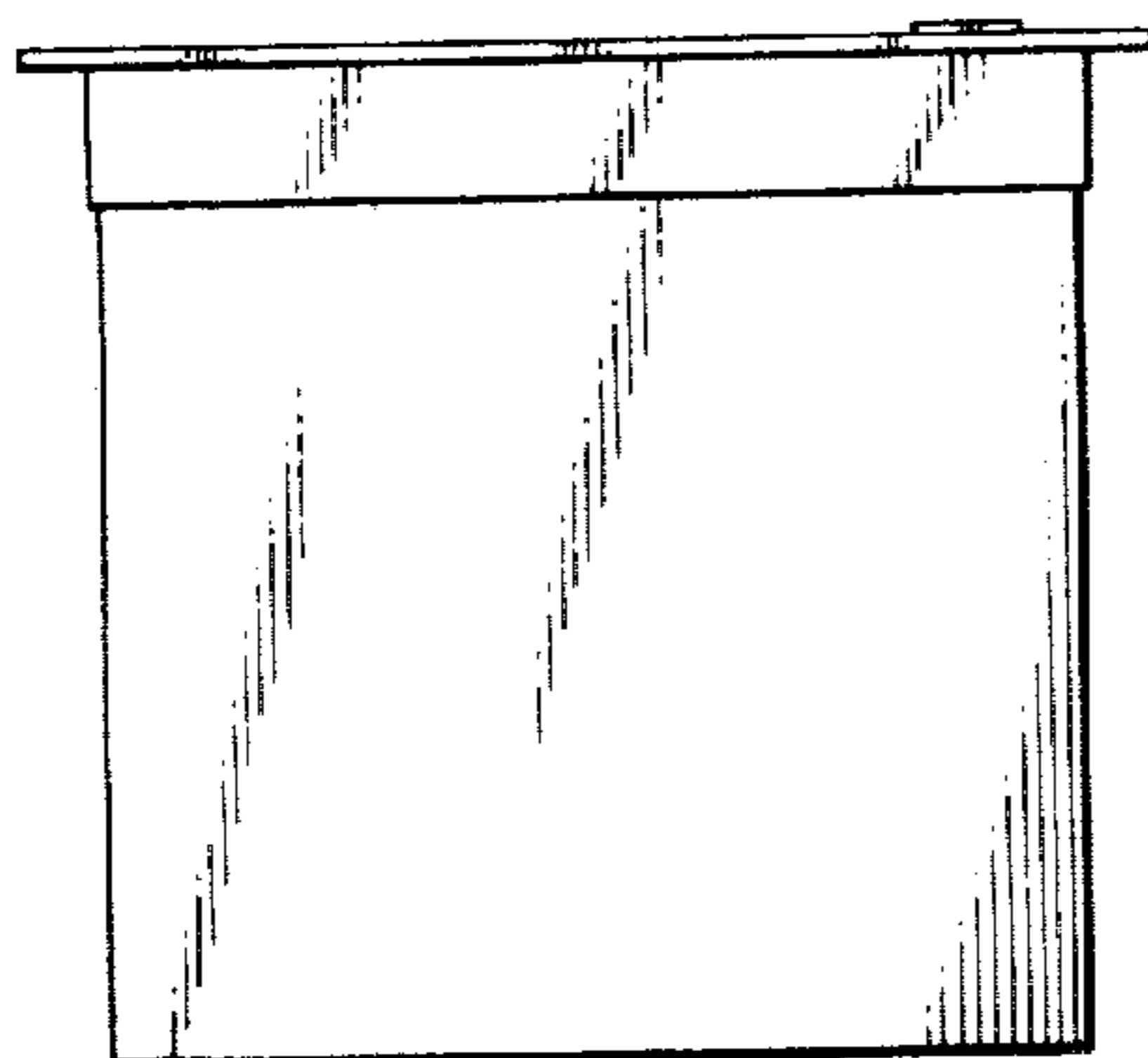


FIG. 7

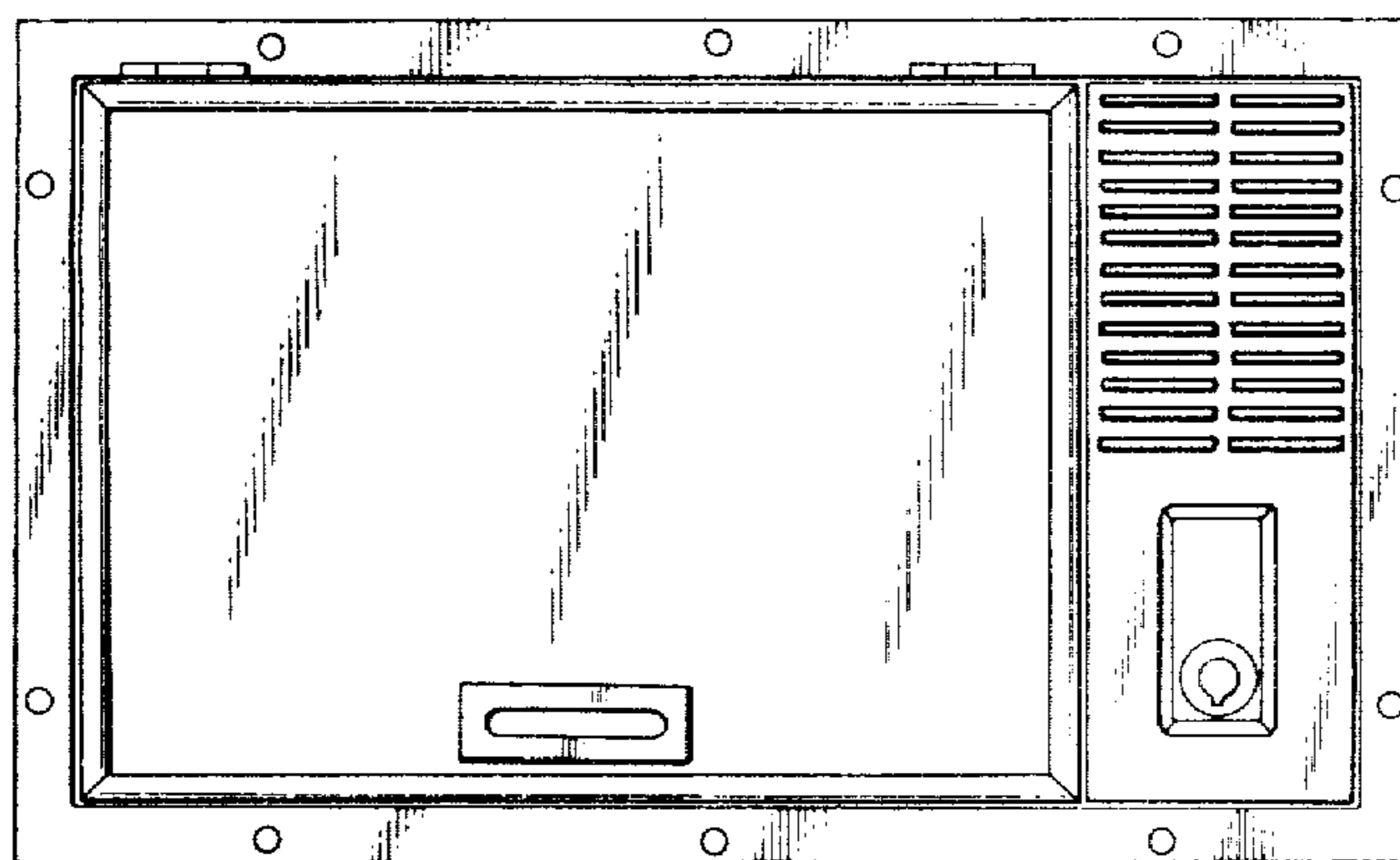


FIG. 8

