

[54] SEWING MACHINE

[75] Inventor: Giuliano Molineri, Moncalieri, Italy

[73] Assignee: NECCHI Societa per Azioni, Pavia, Italy

[**] Term: 14 Years

[21] Appl. No.: 65,199

[22] Filed: Aug. 9, 1979

[30] Foreign Application Priority Data

Feb. 16, 1979 [IT] Italy 32301 B/79

[51] Int. Cl. D15-06

[52] U.S. Cl. D15/69

[58] Field of Search D15/66, 69, 70, 71,
D15/72, 73, 74, 75, 76, 77, 78; 112/258, 259,
158 F, 176

[56] References Cited

U.S. PATENT DOCUMENTS

2,762,324 9/1956 Hess 112/258
3,204,594 9/1965 Dreyfuss D15/69
3,340,835 9/1967 Cook et al. 112/258

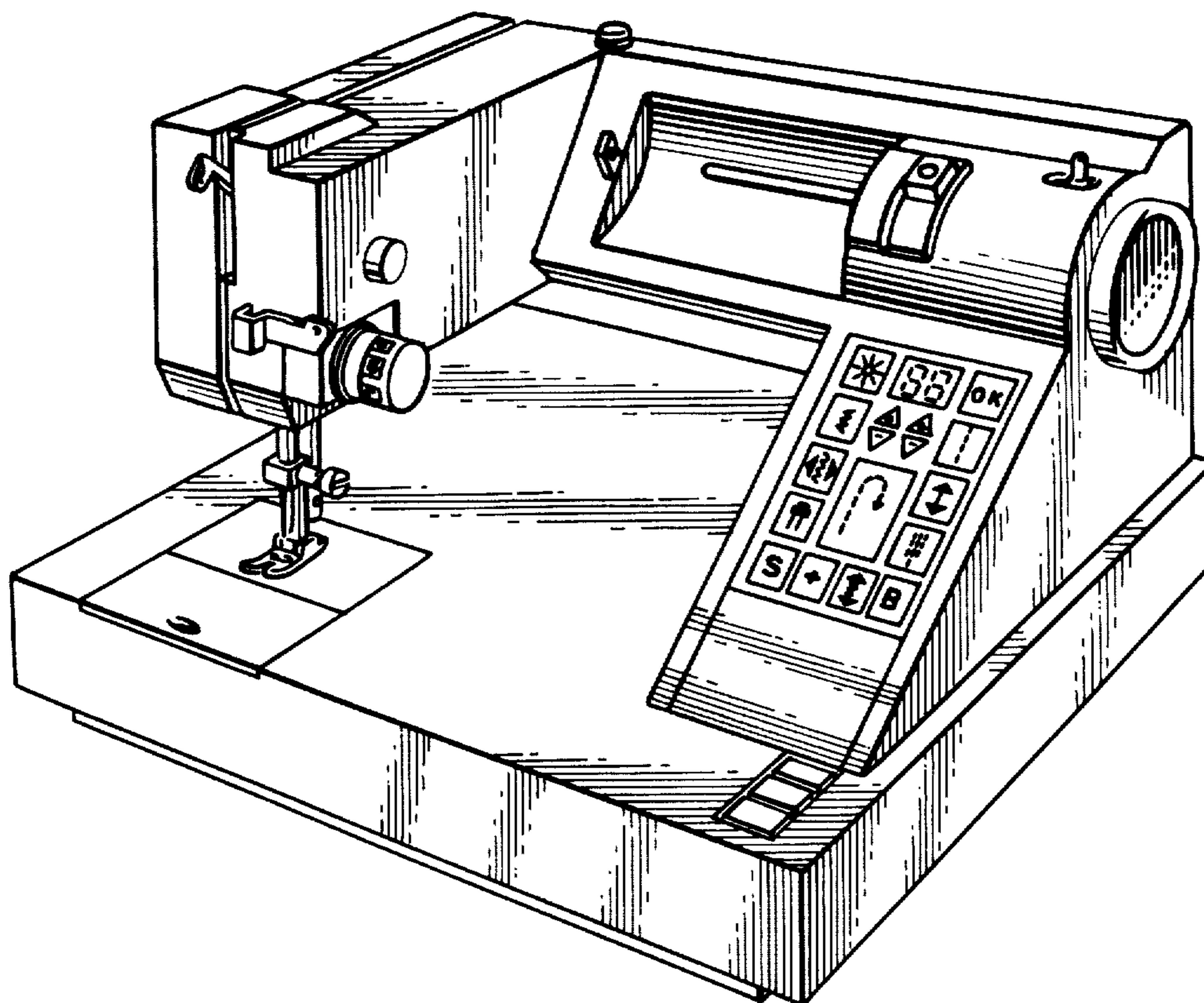
Primary Examiner—Joel Stearman
Assistant Examiner—Carmen H. Vales
Attorney, Agent, or Firm—Stevens, Davis, Miller & Mosher

[57] CLAIM

The ornamental design for a sewing machine, as shown and described.

DESCRIPTION

FIG. 1 is a perspective view of a sewing machine showing my new design;
FIG. 2 is a front elevational view thereof;
FIG. 3 is a right side elevational view thereof;
FIG. 4 is a rear elevational view thereof;
FIG. 5 is a left side elevational view thereof; and
FIG. 6 is a top plan view thereof.
The bottom plan view is plain and unornamented.



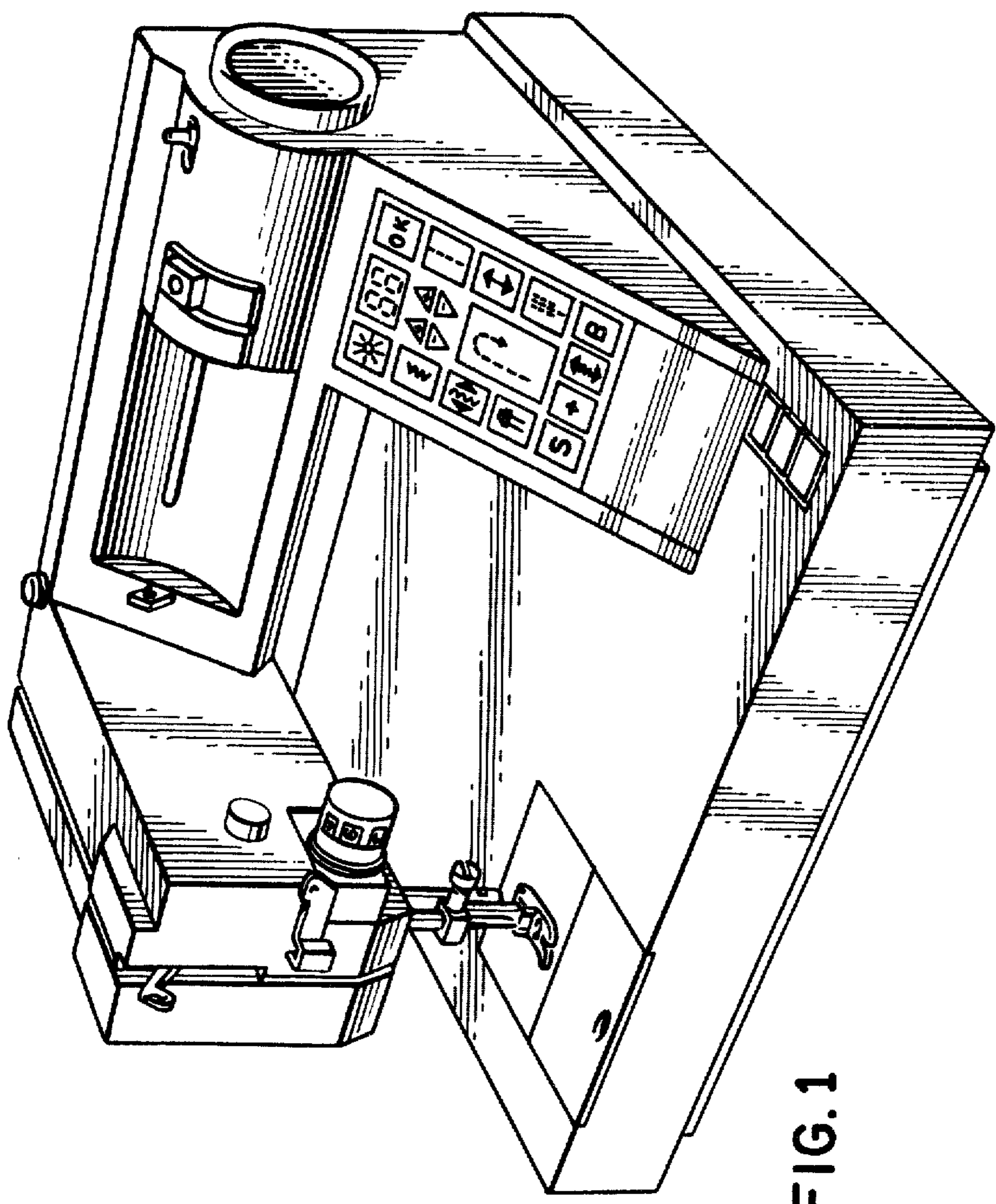


FIG. 1

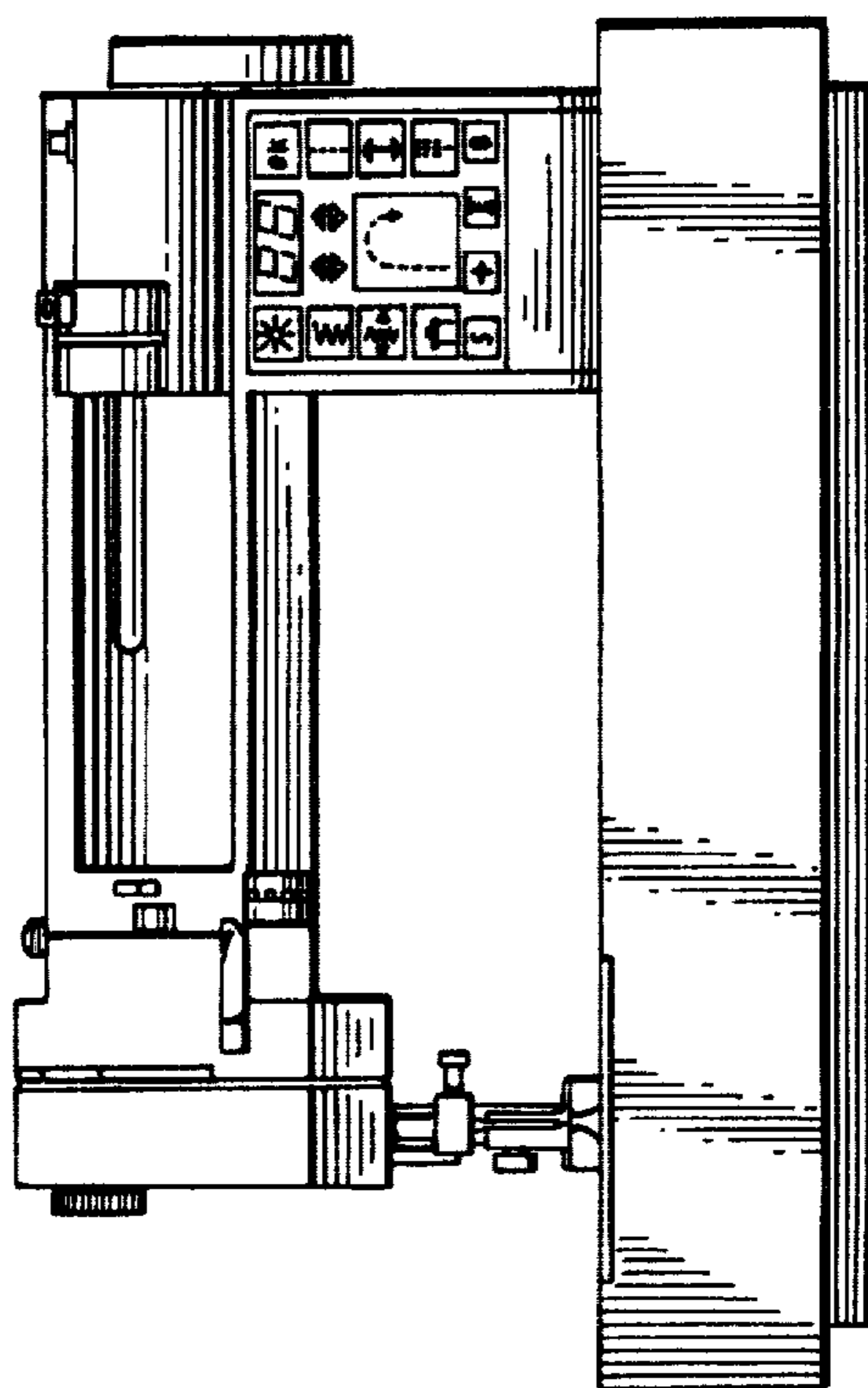


FIG. 2

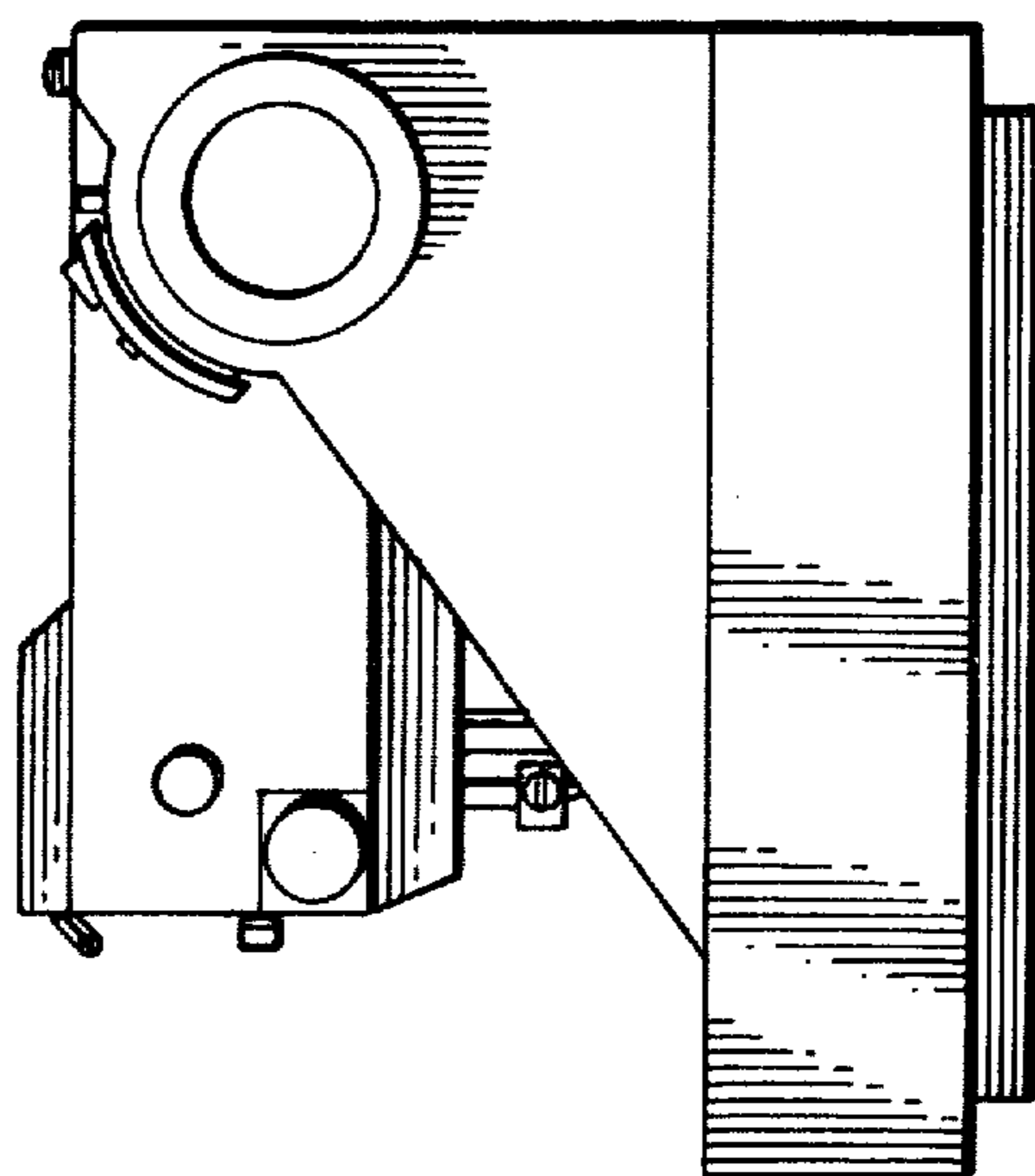


FIG. 3

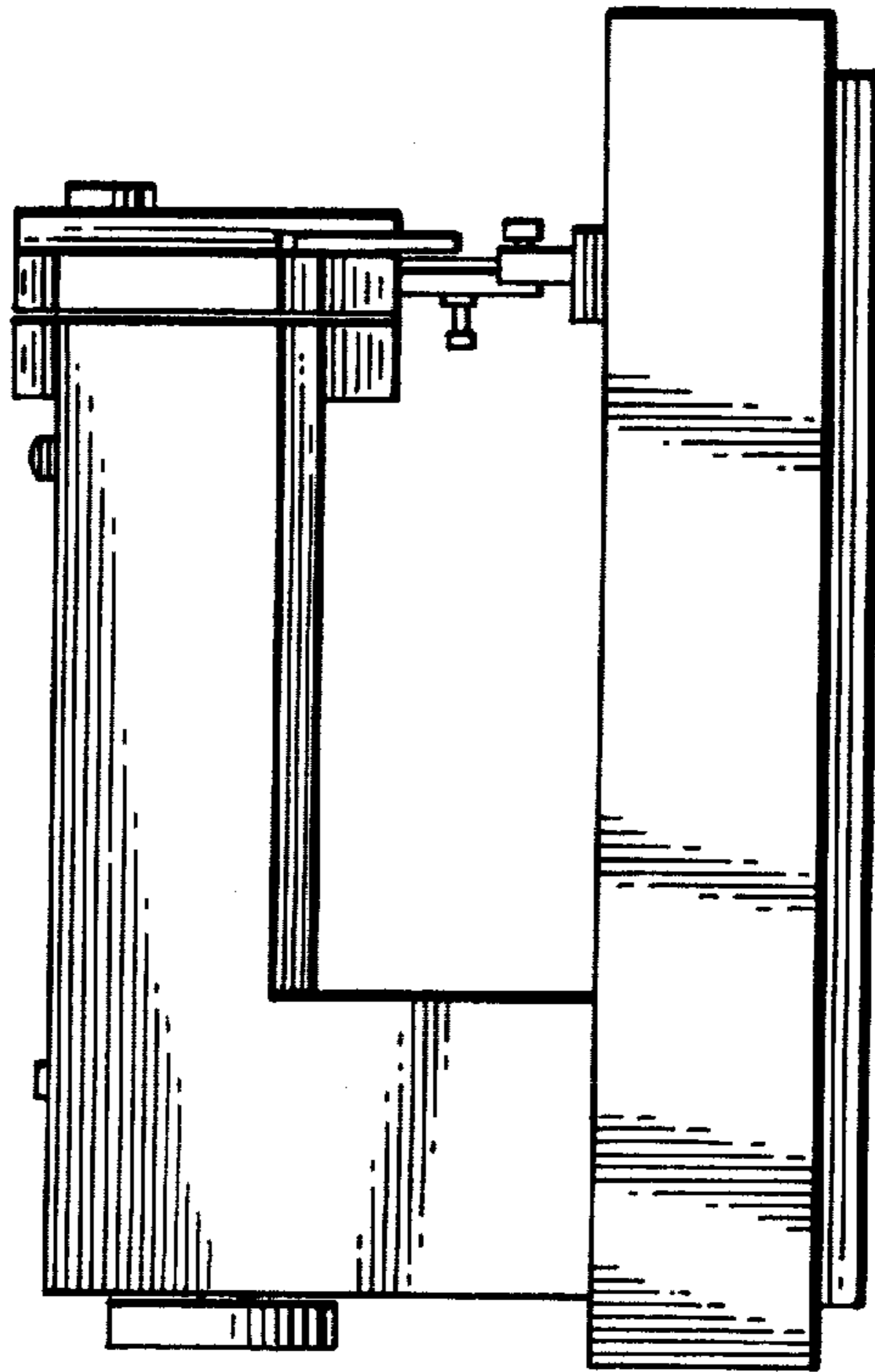


FIG. 4

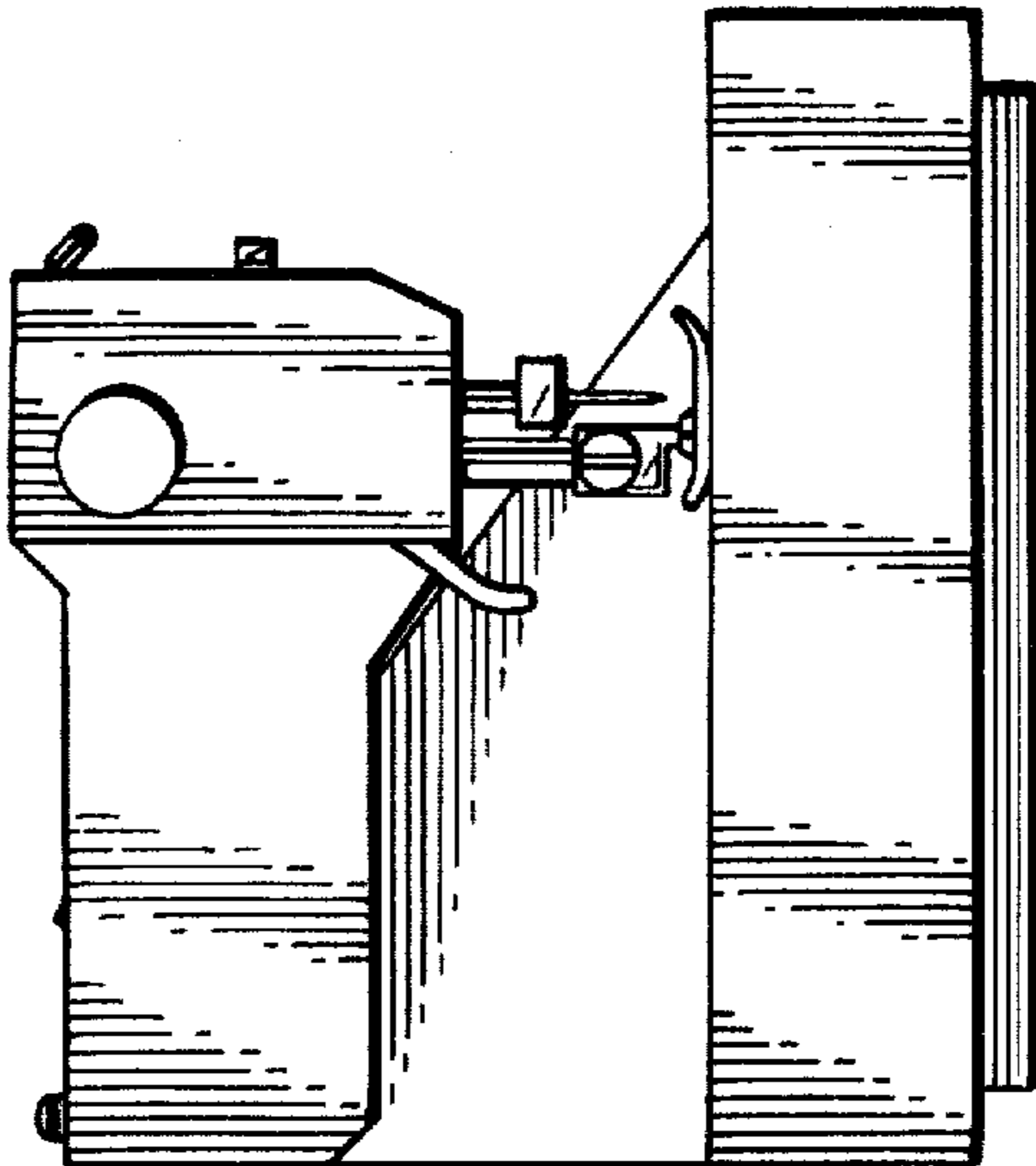


FIG. 5

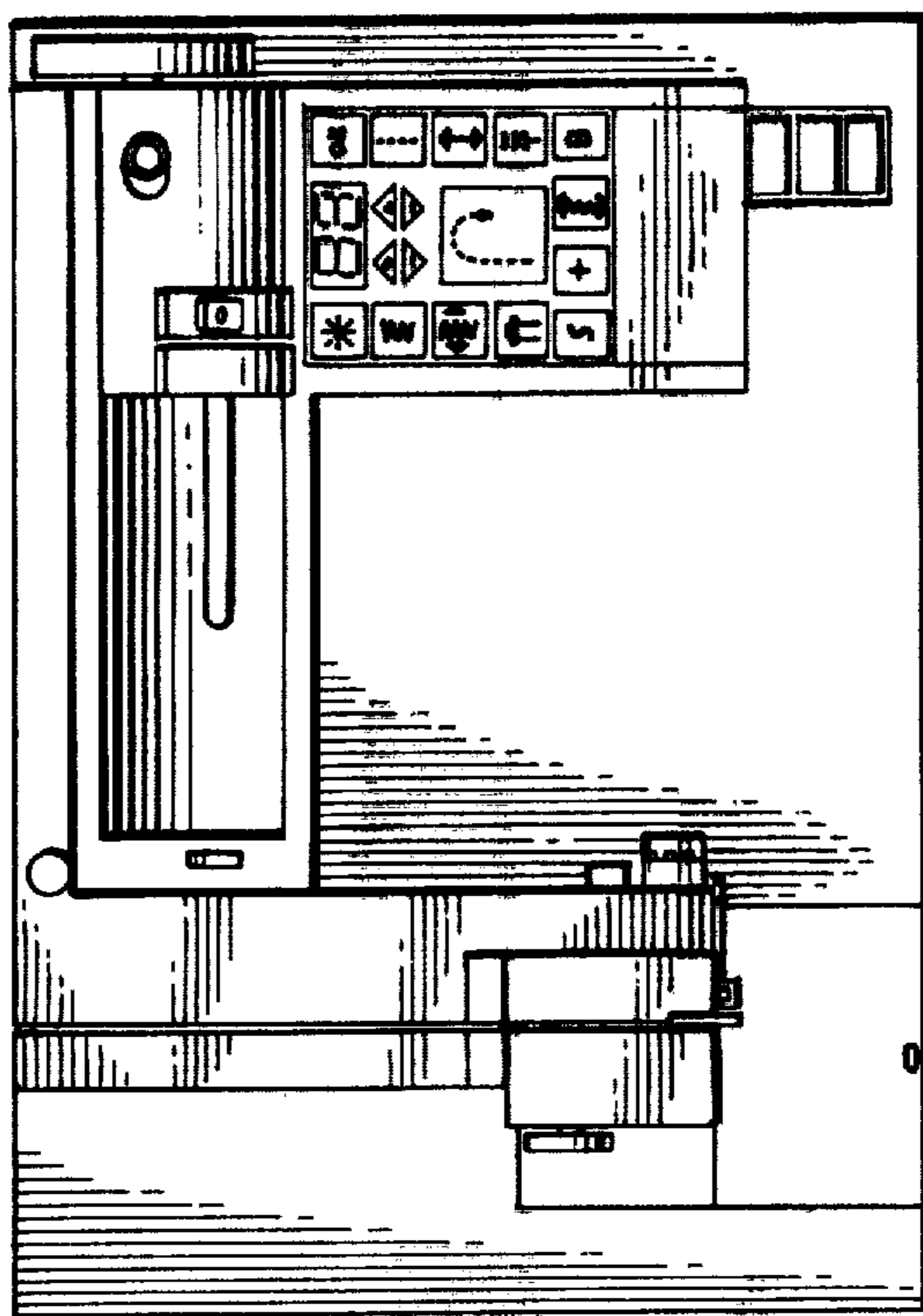


FIG. 6