

[54] **BLADE PLOUGH**

[76] **Inventor:** Darrell C. Symonds, 106-116 Dowd St., Welshpool, Western Australia, Australia, 6106

[**] **Term:** 14 Years

[21] **Appl. No.:** 92,108

[22] **Filed:** Nov. 7, 1979

[30] **Foreign Application Priority Data**

May 8, 1979 [AU] Australia 77779

[51] **Int. Cl.** D15-99

[52] **U.S. Cl.** D15/11; 171/71; 171/80; D15/27

[58] **Field of Search** D15/11, 27; 171/71, 171/80

[56] **References Cited**

U.S. PATENT DOCUMENTS

D. 216,143 11/1969 Cline D15/11

OTHER PUBLICATIONS

John Deere, Drawn and Mounted Chisel Plows, Catalog, 10/11/77, p. 13.

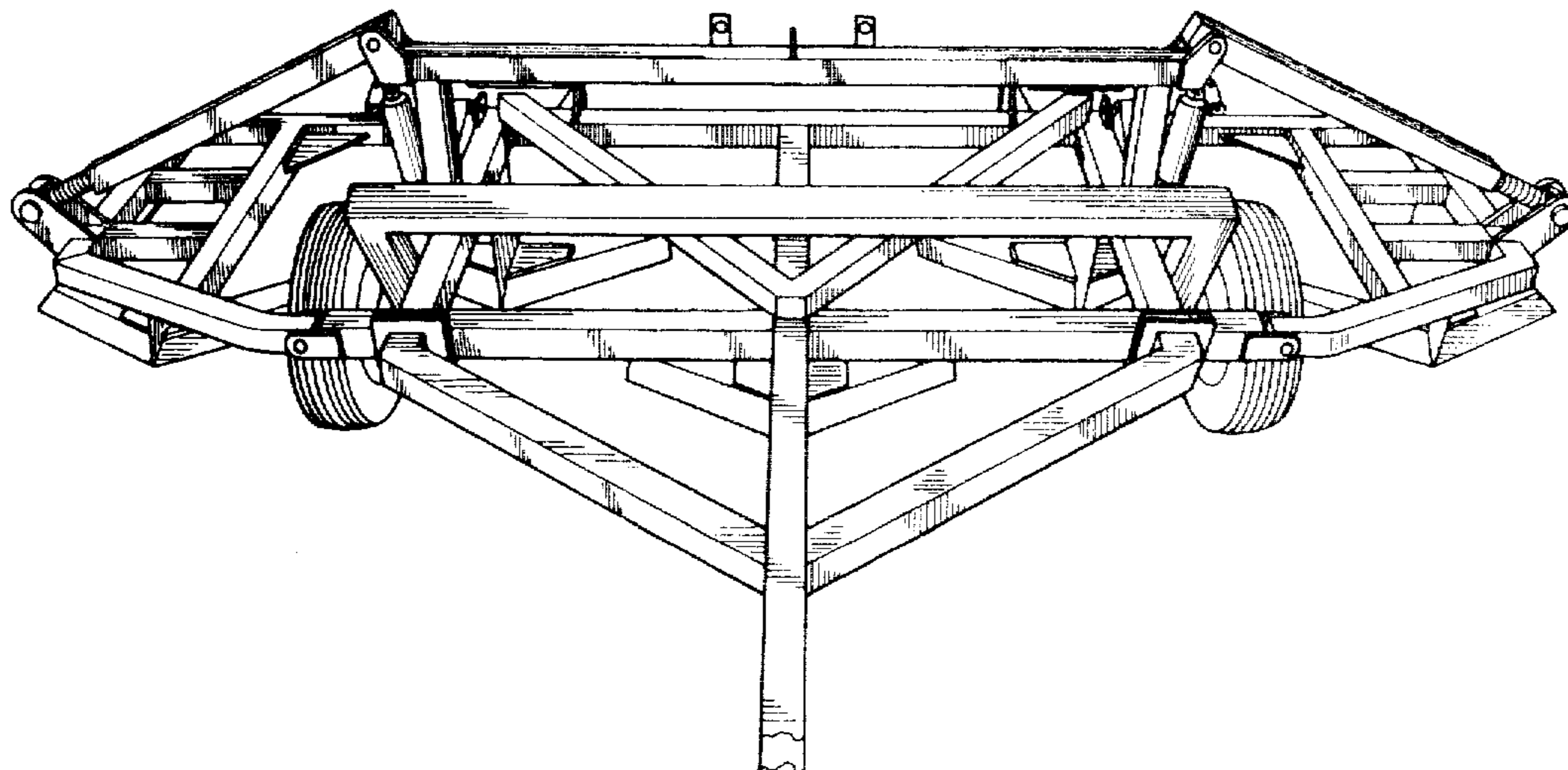
Primary Examiner--Veronica O'Keefe
Attorney, Agent, or Firm--Oldham, Oldham, Hudak & Weber, Co.

[57] **CLAIM**

A blade plough, substantially as shown and described.

DESCRIPTION

FIG. 1 is a front perspective view of the blade plough; FIG. 2 is a rear oblique perspective view; FIG. 3 is a rear perspective view with wings lowered; FIG. 4 is a rear perspective view with wings raised; FIG. 5 is a front view of one of the wings.



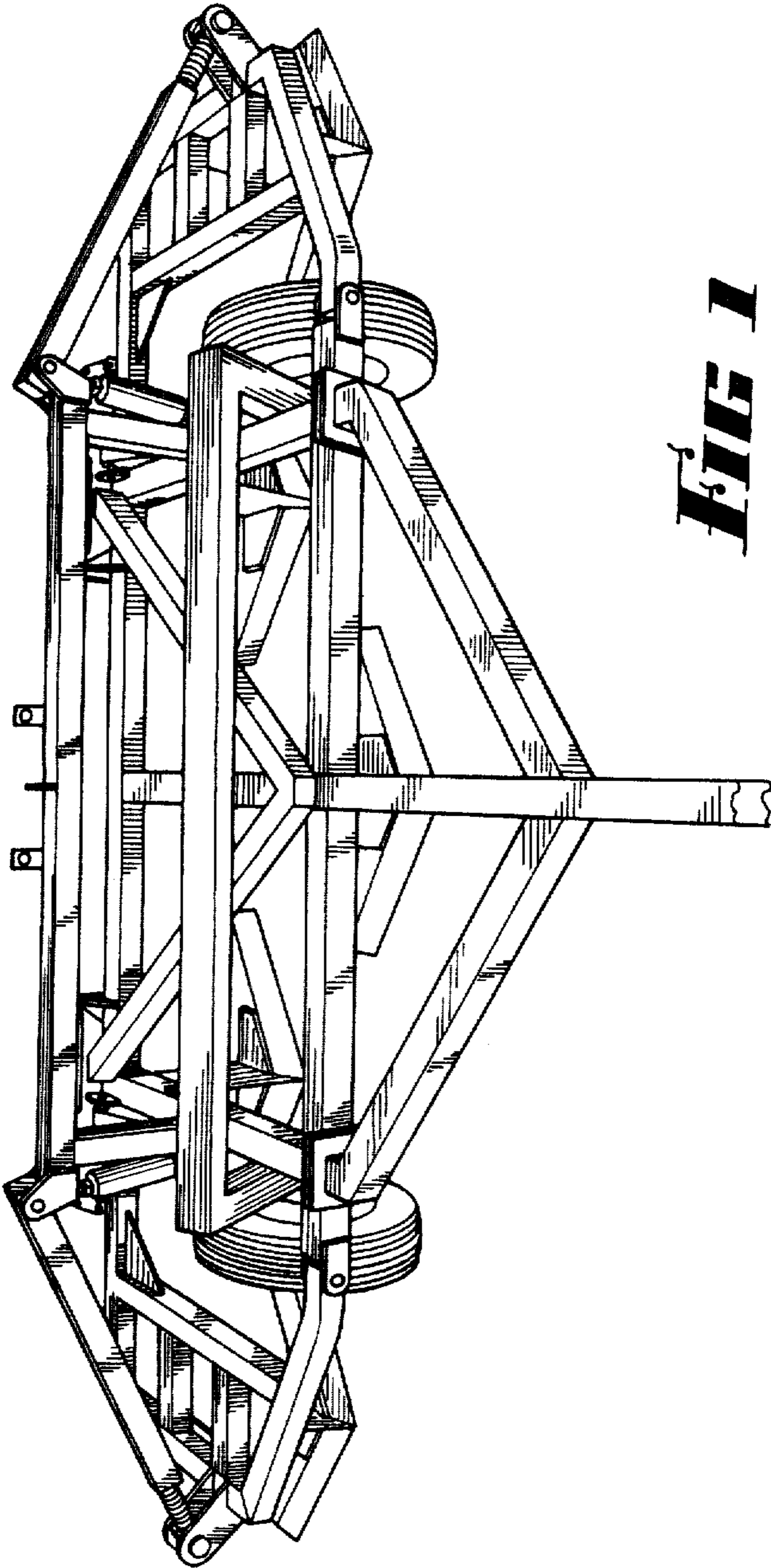


FIG 1

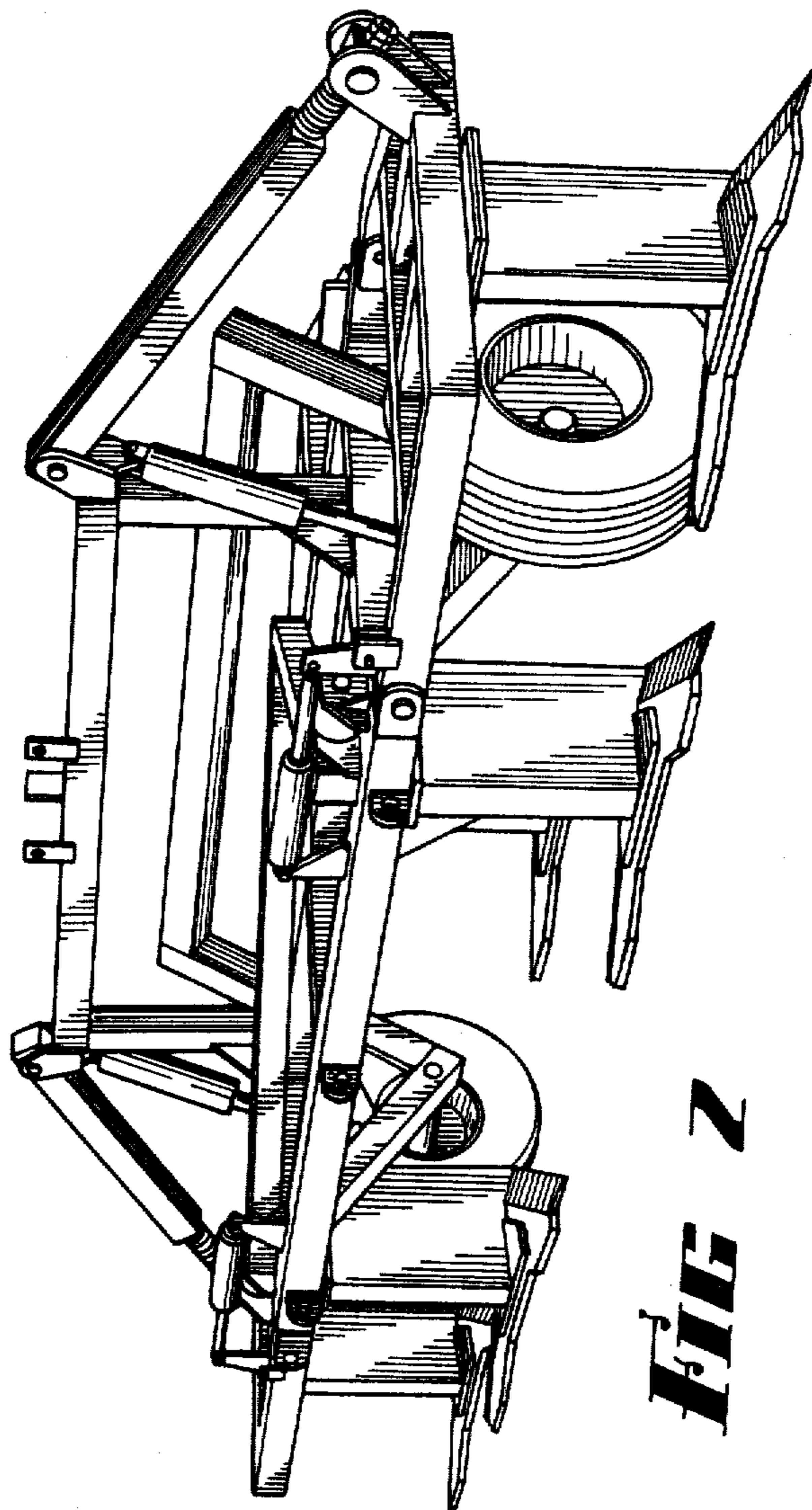


FIG 2

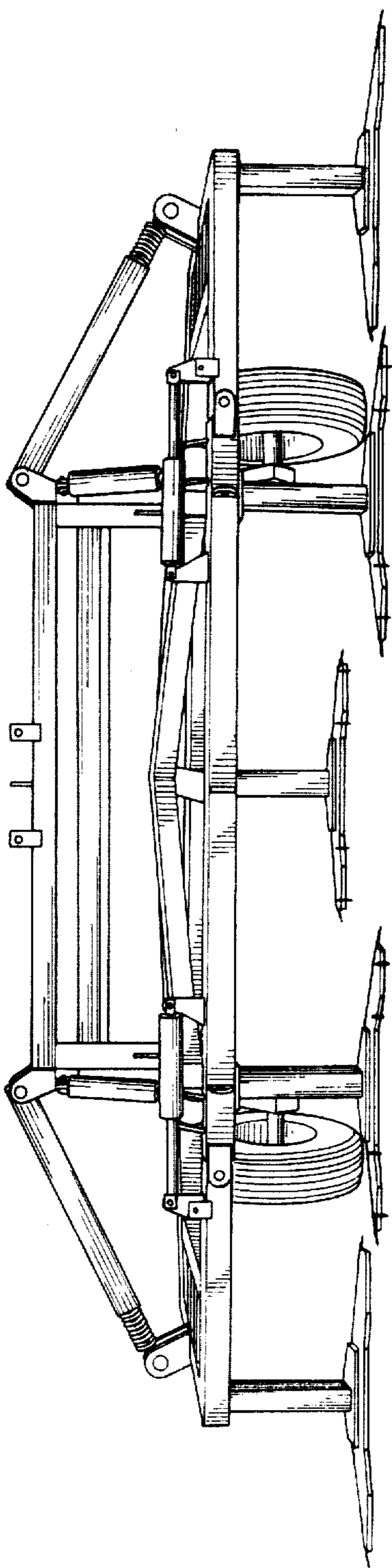


FIG 3

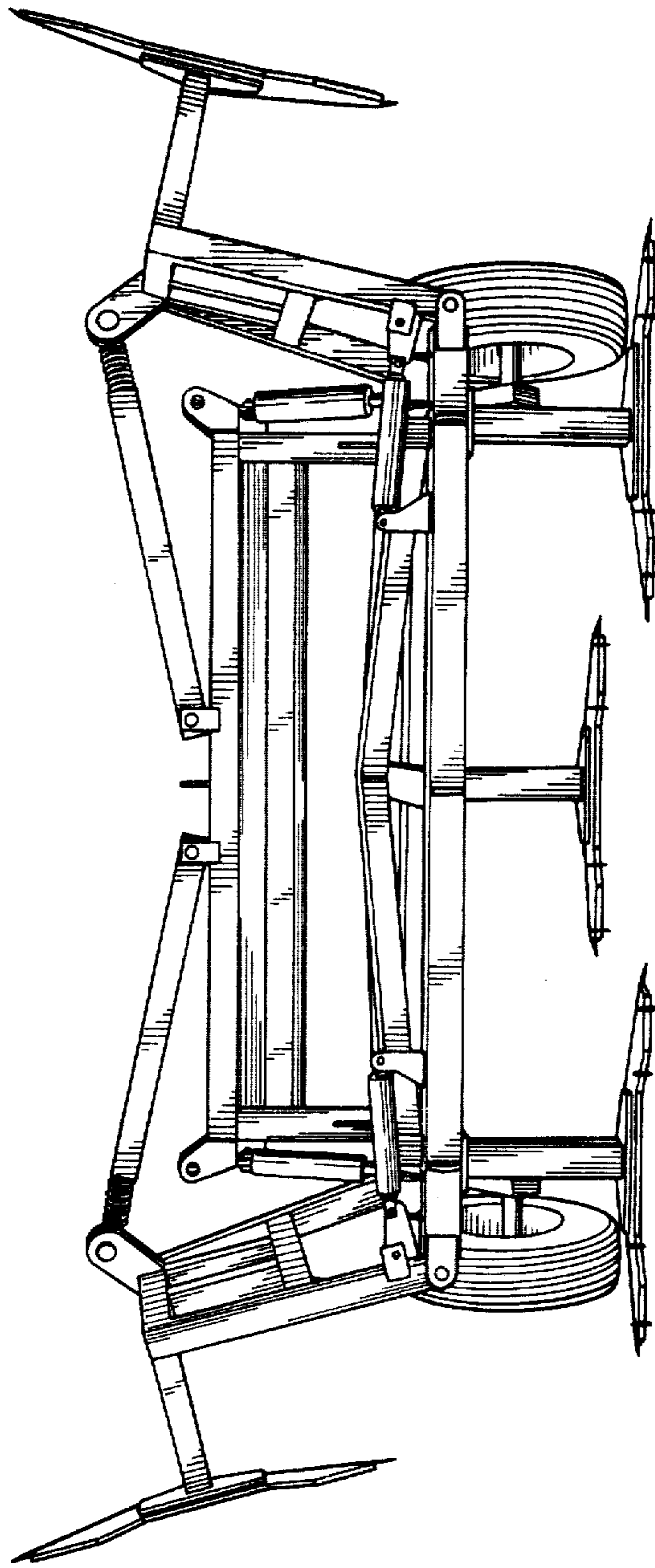
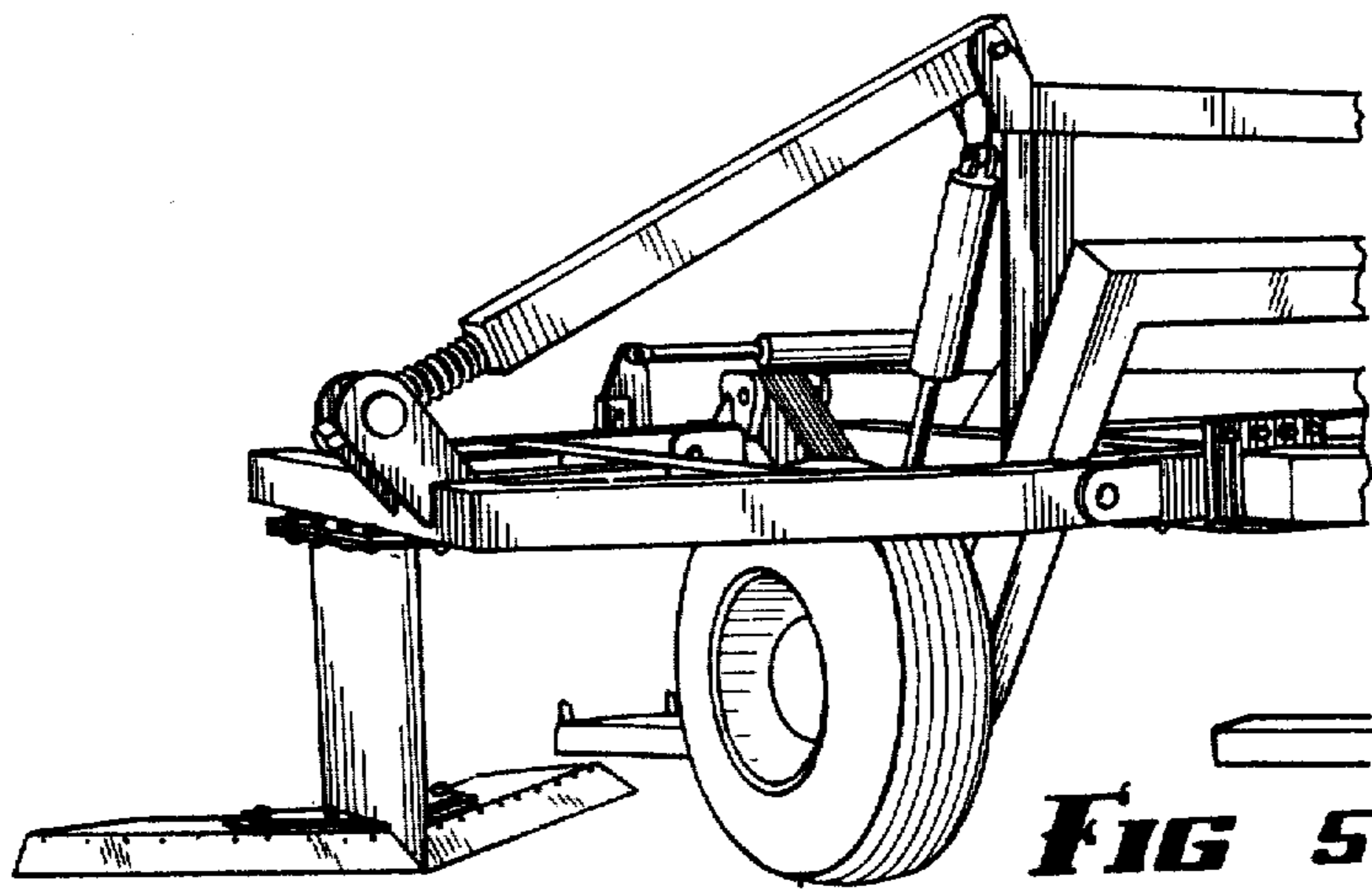


FIG 4



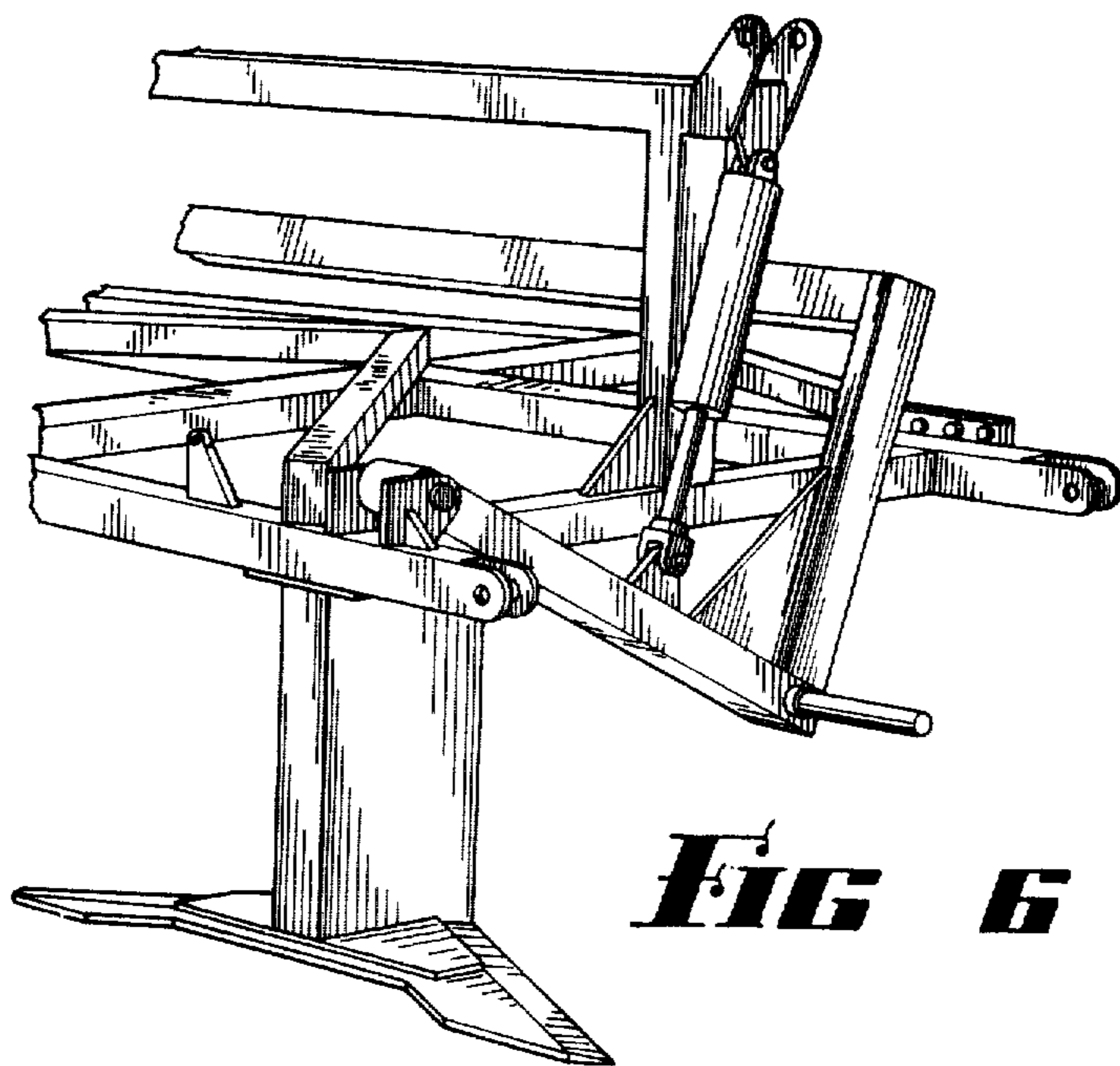


FIG 6