

[54] TEMPERATURE RESPONSIVE CONTROL UNIT FOR WINDOWS OF GREENHOUSES AND THE LIKE

[75] Inventor: Albert Cole, Keswick, England

[73] Assignee: Thermoforce Limited, Cockersmouth, England

[**] Term: 14 Years

[21] Appl. No.: 199,634

[22] Filed: Oct. 22, 1980

[30] Foreign Application Priority Data

May 2, 1980 [GB] United Kingdom 994760

[51] Int. Cl. D8-09

[52] U.S. Cl. D8/330

[58] Field of Search D8/336, 330, 400; 16/48.5

[56] References Cited

U.S. PATENT DOCUMENTS

- D. 204,187 3/1966 Schulz D8/330
- 3,729,770 5/1973 Lasier 16/48.5
- 4,200,954 5/1980 McCabe 16/48.5

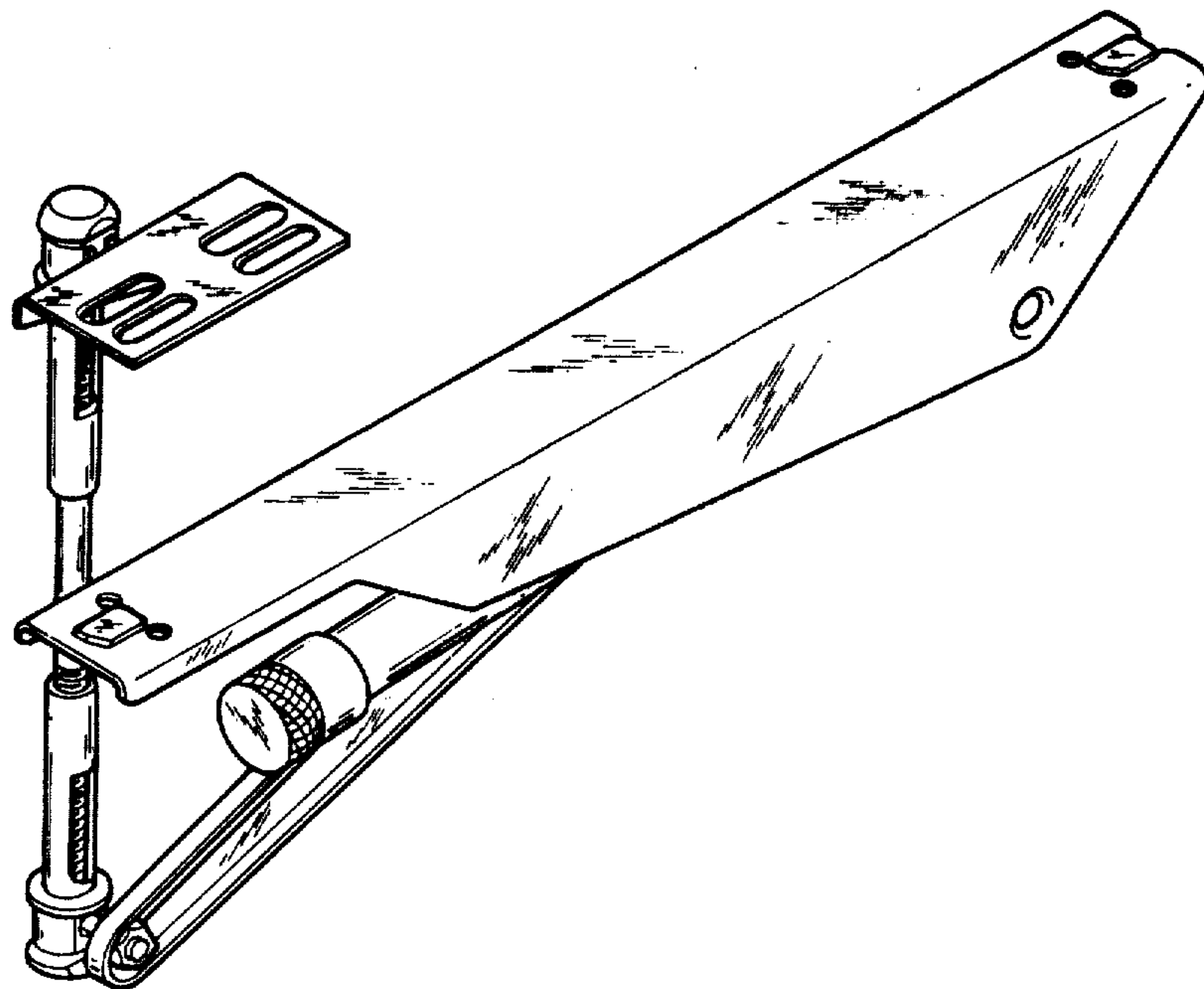
Primary Examiner—A. Hugo Word
Attorney, Agent, or Firm—Shoemaker and Mattare, Ltd.

[57] CLAIM

The ornamental design for a temperature responsive control unit for windows of greenhouses and the like, as shown and described.

DESCRIPTION

- FIG. 1 is a perspective view from above and one side;
- FIG. 2 is an elevation of the other side;
- FIG. 3 is an underneath view;
- FIG. 4 is an elevation of one end;
- FIG. 5 is an elevation of other end.



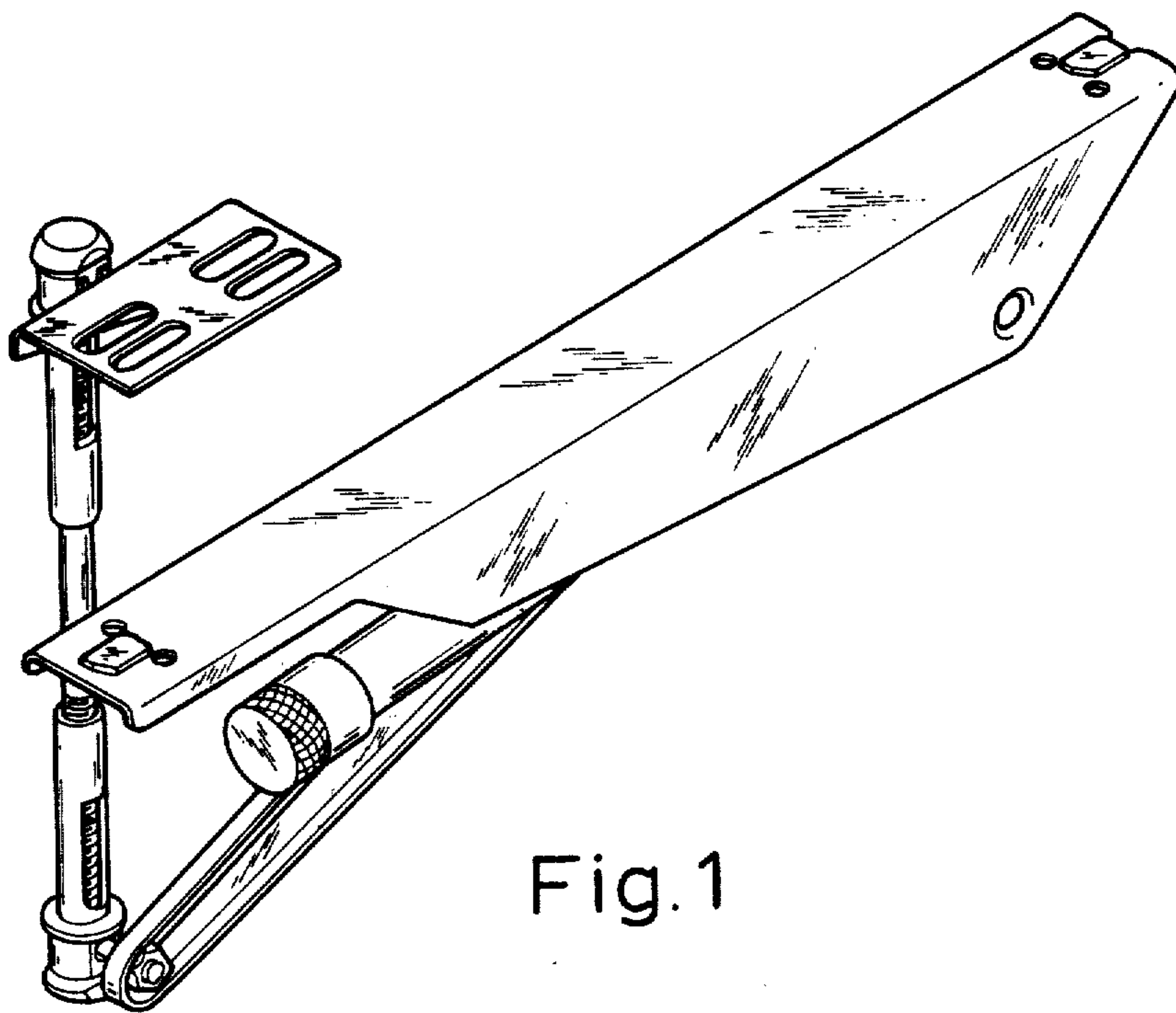


Fig. 1

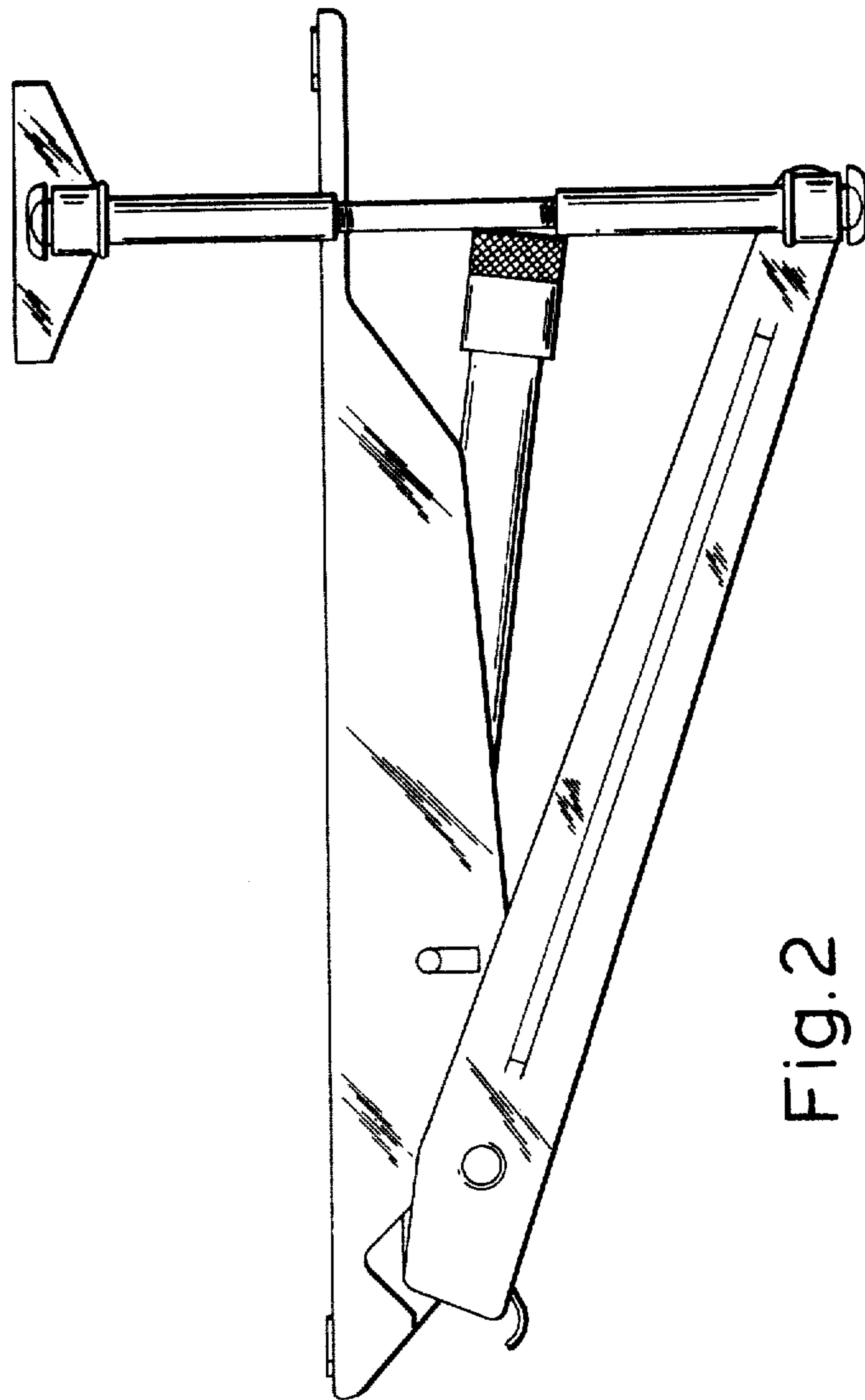


Fig. 2

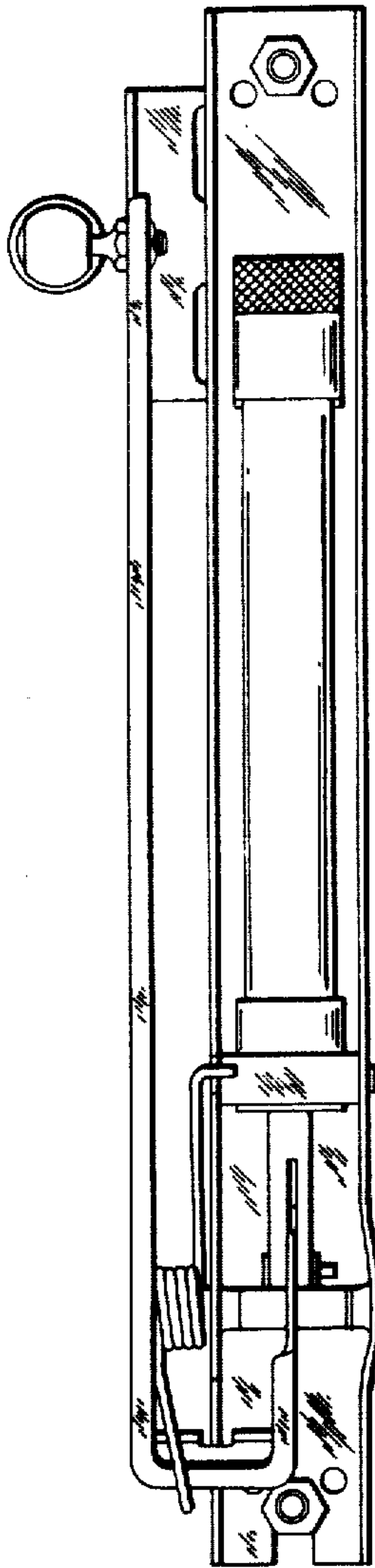


Fig. 3

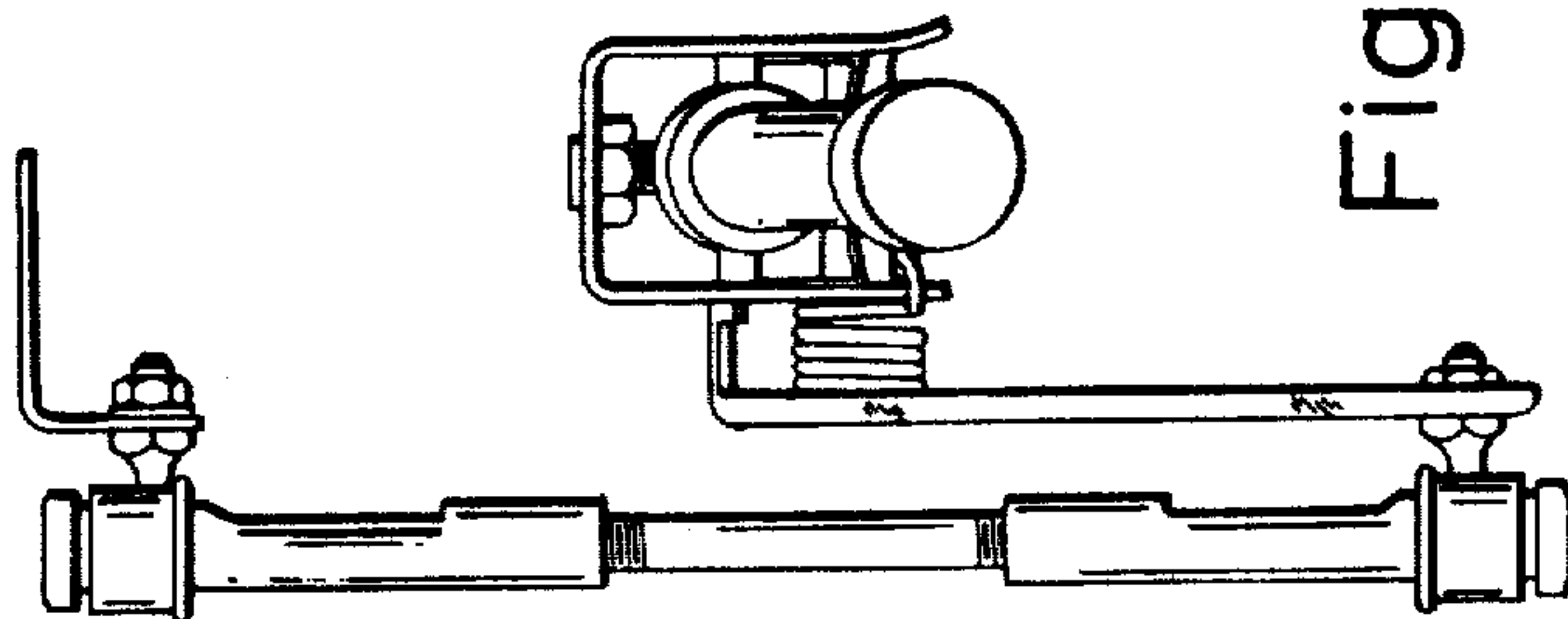


Fig. 5

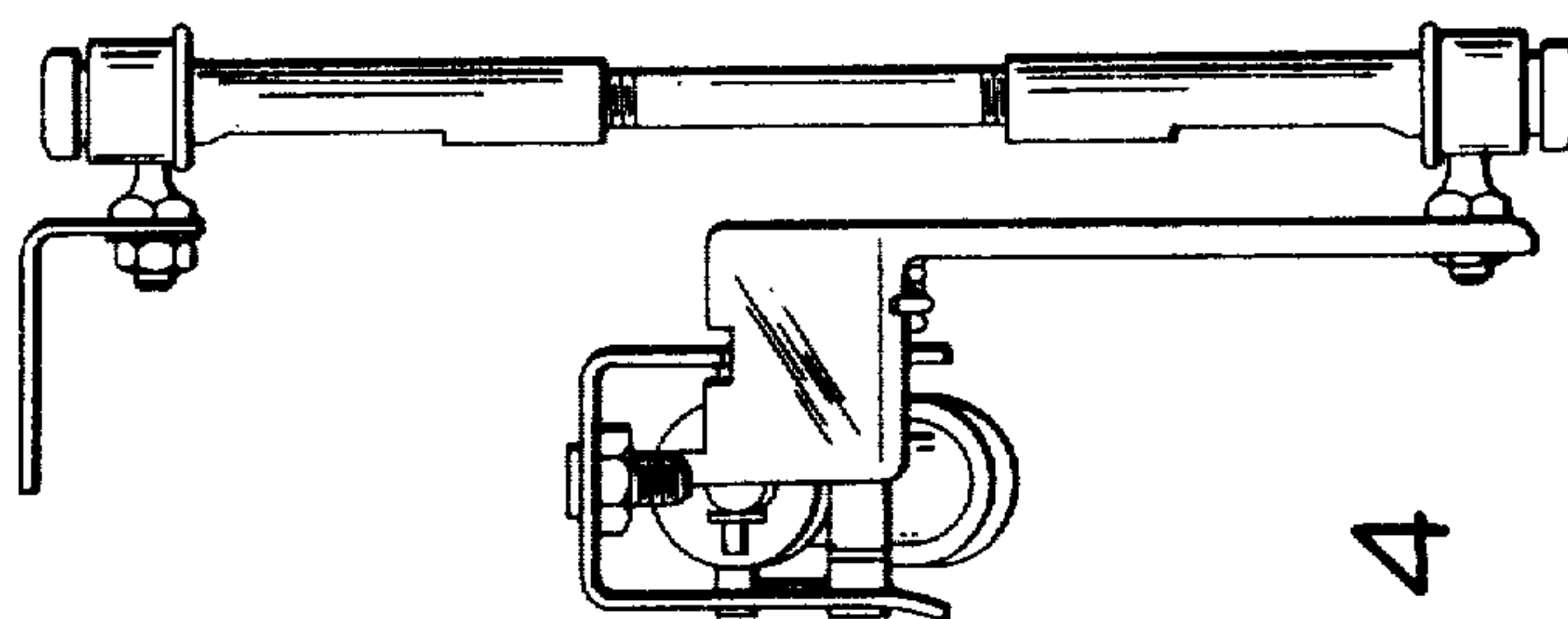


Fig. 4