

[54] FERTILIZER APPLICATOR

[75] Inventor: Bernard J. Lempa, Jr., Houston, Tex.

[73] Assignee: Lempa Mfg. Inc., Cuero, Tex.

[**] Term: 14 Years

[21] Appl. No.: 161,047

[22] Filed: Jun. 19, 1980

[51] Int. Cl. D8-05

[52] U.S. Cl. D8/02; D8/1

[58] Field of Search D8/1, 2; 111/22, 24, 111/7.2; 172/22, 21

[56] References Cited

U.S. PATENT DOCUMENTS

D. 215,119	9/1969	Dozier	D8/2
D. 236,939	9/1975	Piel	D8/2
D. 257,212	10/1980	Parker	D8/1
3,106,322	10/1963	Lynskey	D8/2 X
3,123,391	3/1964	Novack	172/22
3,815,526	6/1974	Christopherson	111/7.2

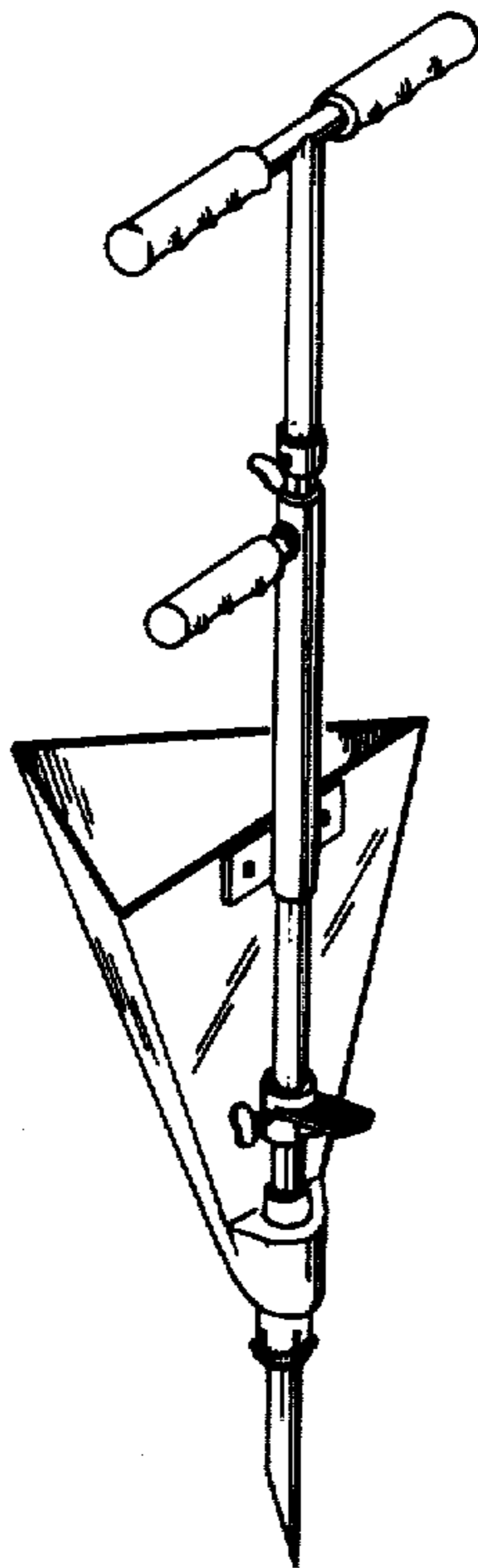
Primary Examiner—Bernard Ansher

[57] CLAIM

The ornamental design for a fertilizer applicator, as shown and described.

DESCRIPTION

FIG. 1 is a perspective side view of a fertilizer applicator showing my new design; FIG. 2 is a rear elevation thereof; and FIG. 3 is a side elevation thereof.



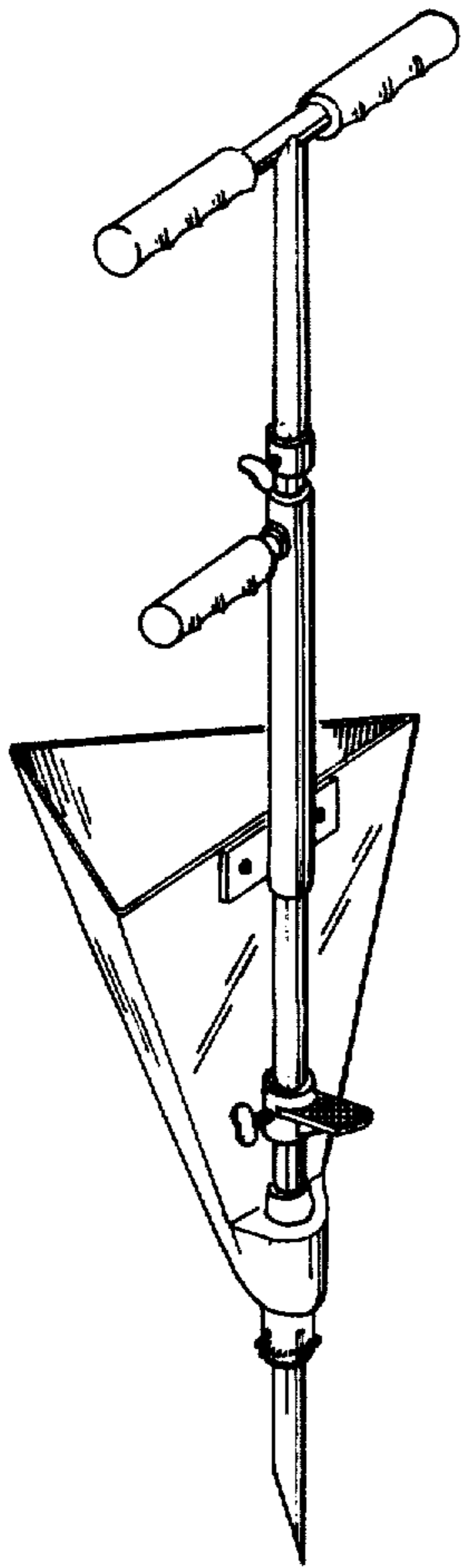


FIG. 1

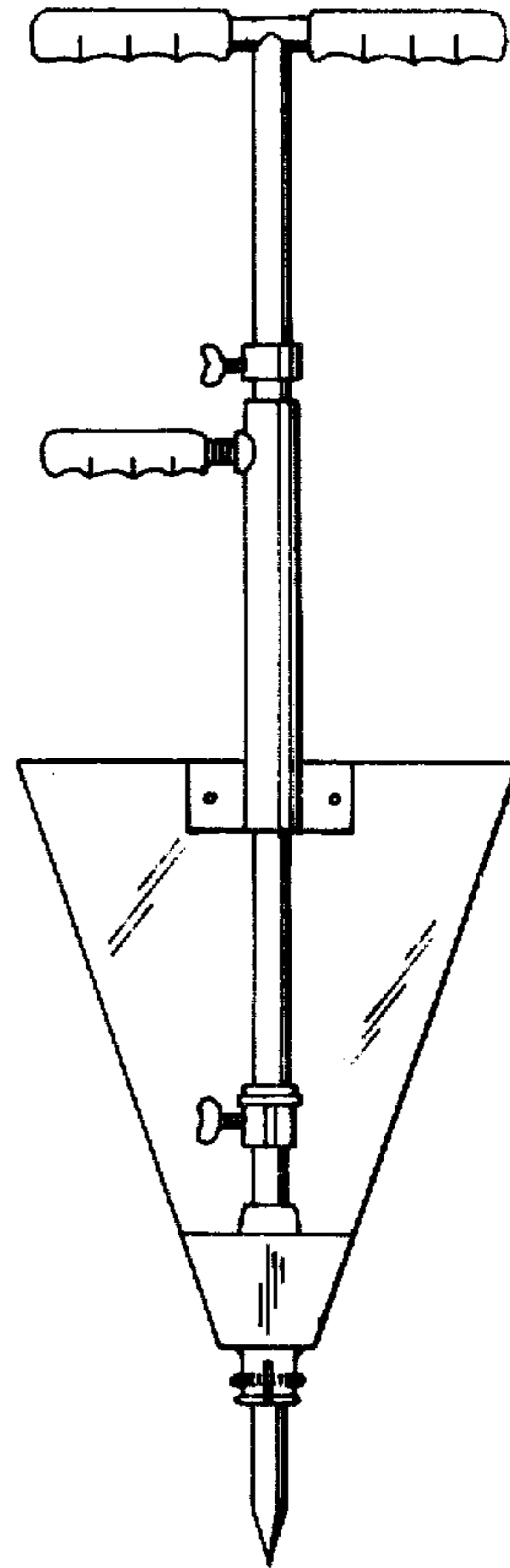


FIG. 2

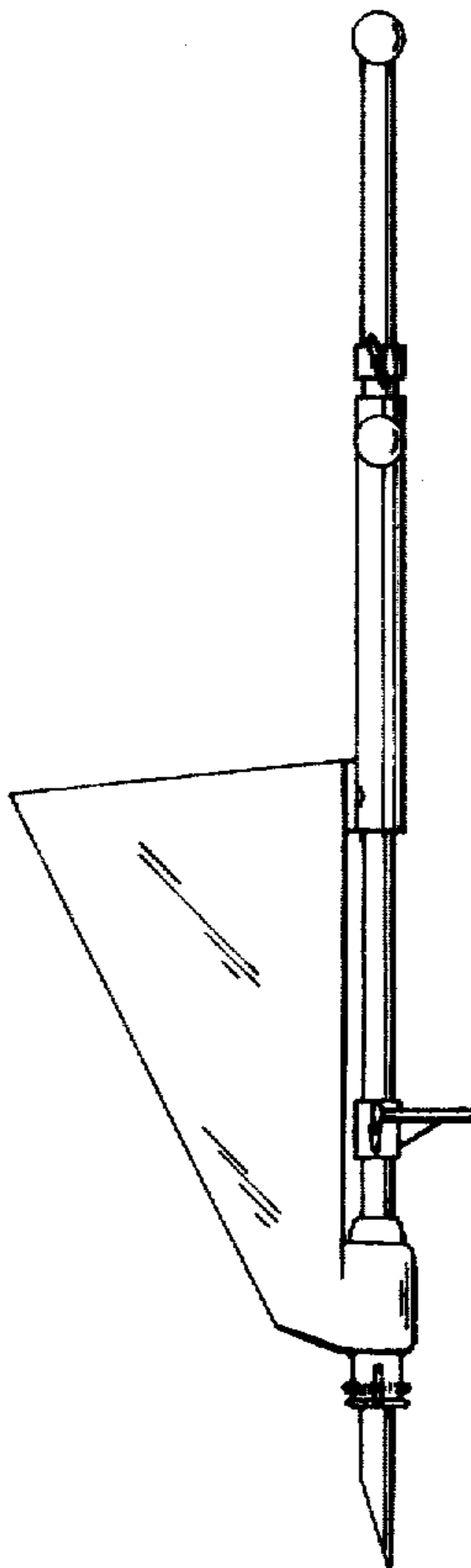


FIG. 3