

[54] ROTATOR PRIMARILY FOR A BARBECUE SPIT

[75] Inventor: Clement S. Wan, Hong Kong, Hong Kong

[73] Assignee: Landman Limited, Hong Kong, Hong Kong

[**] Term: 14 Years

[21] Appl. No.: 74,938

[22] Filed: Sep. 13, 1979

[51] Int. Cl. D7-02

[52] U.S. Cl. D7/402; D7/338

[58] Field of Search D7/107, 108, 109, 110, D7/129; D13/1-3, 27, 28; 99/421, 420, 419; 310/89, 66

[56] References Cited

U.S. PATENT DOCUMENTS

- D. 202,958 11/1965 Cohen et al. D7/110
- D. 242,759 12/1976 Painter et al. D7/129
- 2,887,944 5/1959 Walker 99/421 HH

OTHER PUBLICATIONS

Structo Manufacturing Co. Catalog-pp. 7-8-Swing-A-Way Motor.

Evans Catalog-1978-p. 247-Fairchild Channel "F" Video Game.

Primary Examiner—Catherine E. Kemper
Attorney, Agent, or Firm—Townsend and Townsend

[57] CLAIM

The ornamental design for a rotator primarily for a barbecue spit, as shown and described.

DESCRIPTION

FIG. 1 is a top plan view of a rotator primarily for a barbecue spit, showing my design;

FIG. 2 is a bottom plan view thereof;

FIG. 3 is an end elevational view thereof;

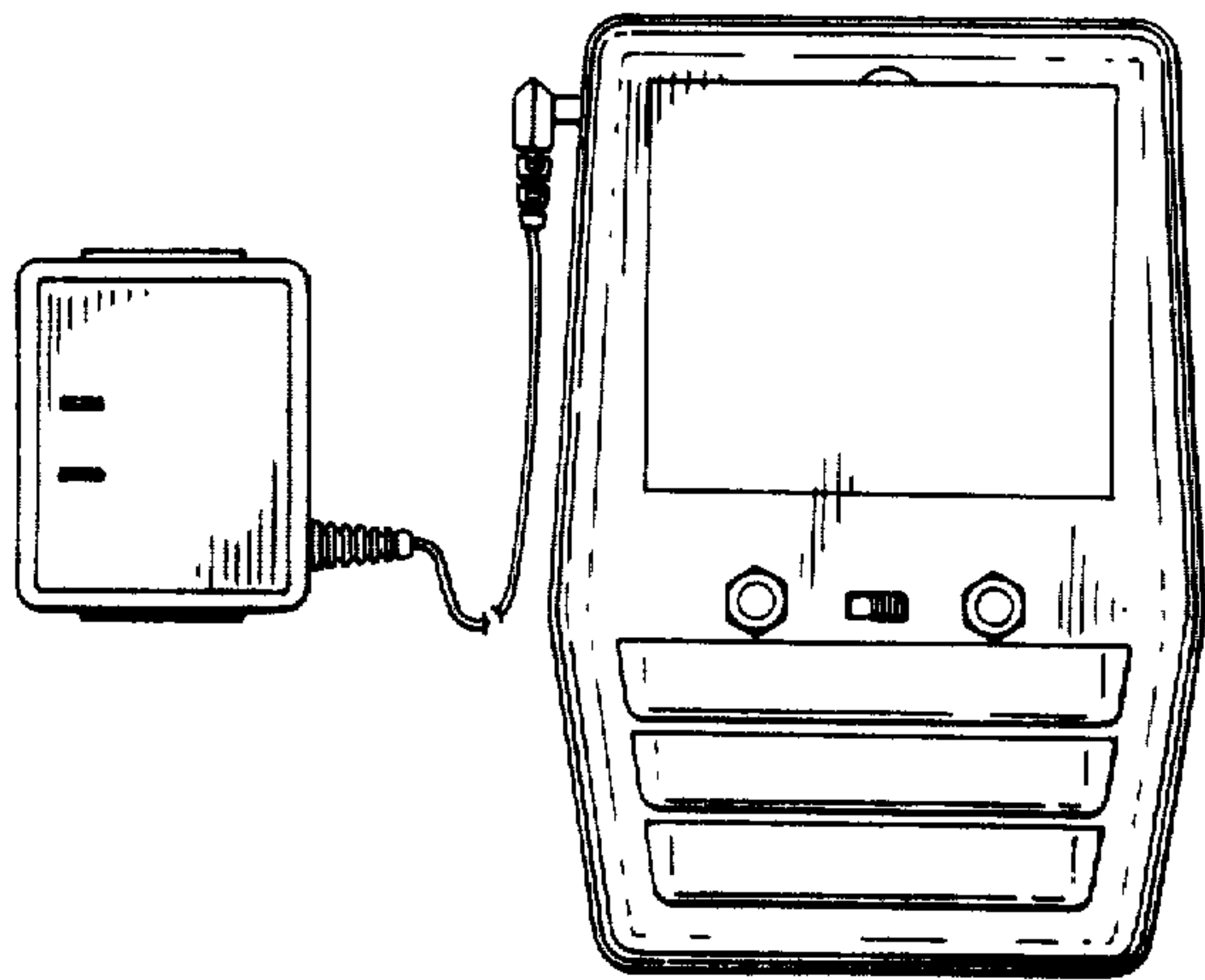
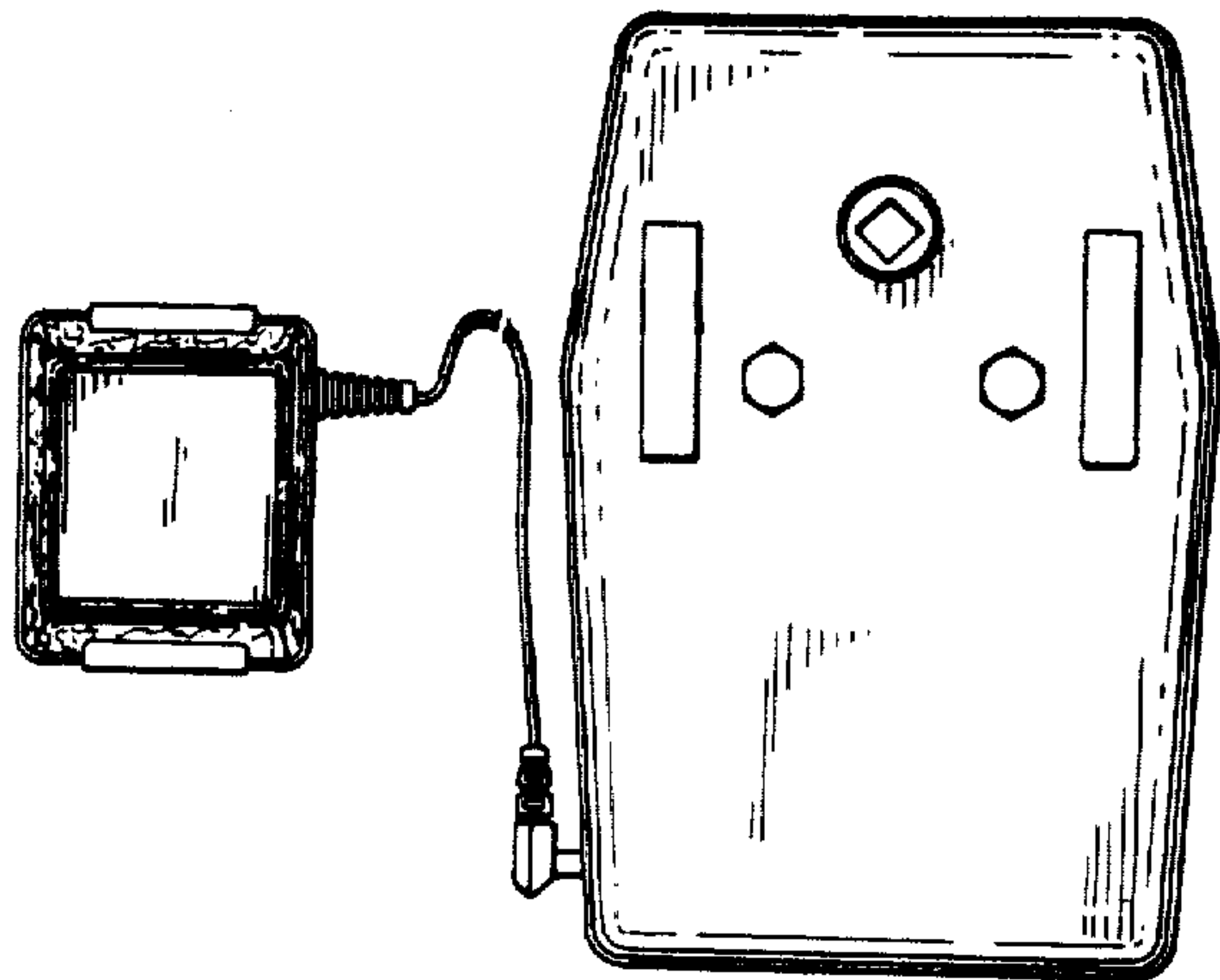
FIG. 4 is an elevational view of the opposite end thereof;

FIG. 5 is a left side elevational view thereof;

FIG. 6 is a right side elevational view thereof;

FIG. 7 is a left side elevational view thereof with the two elements shown detached from one another.

The electrical cord is shown fragmentarily in FIGS. 1-4 and 7 for ease of illustration.



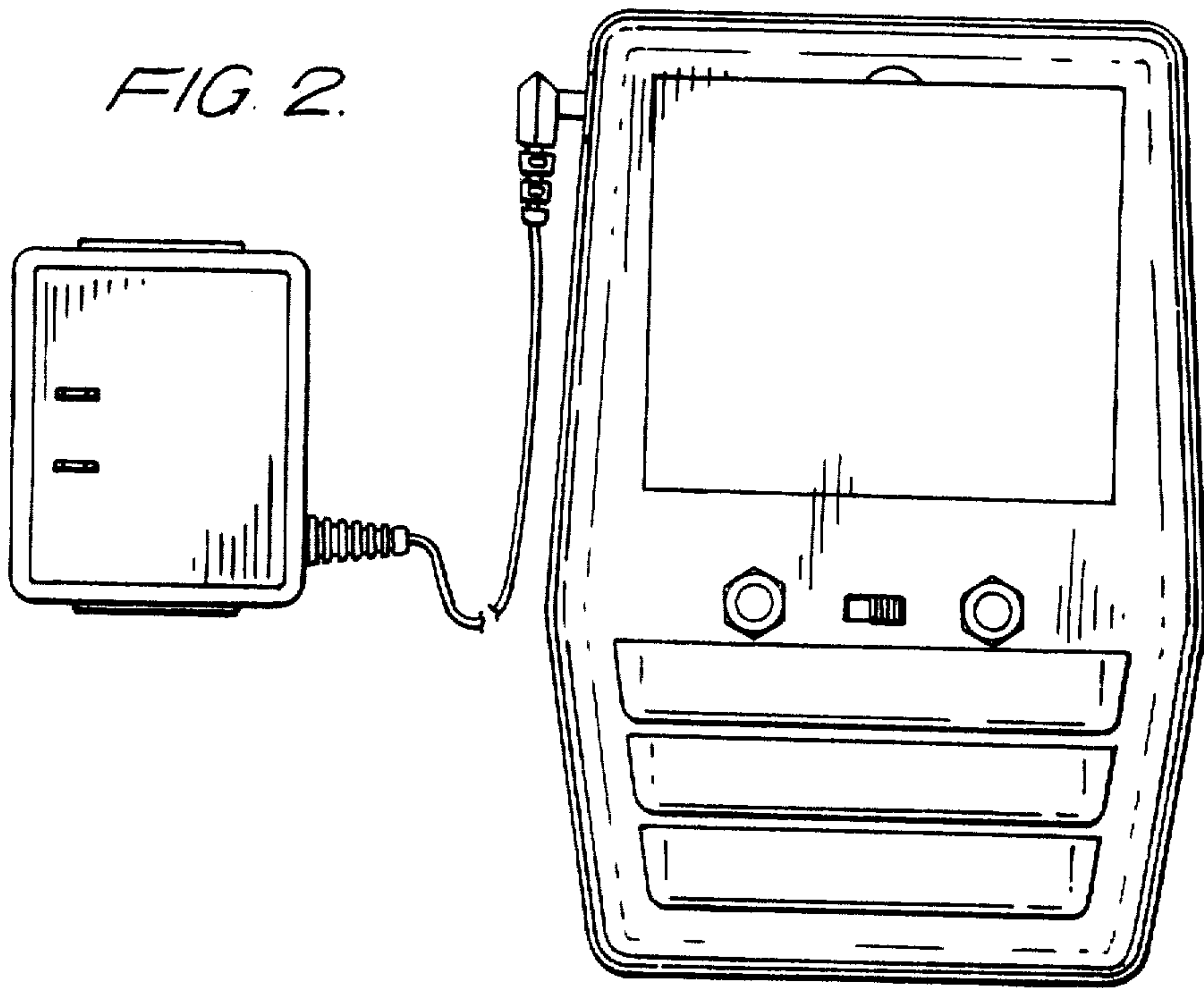
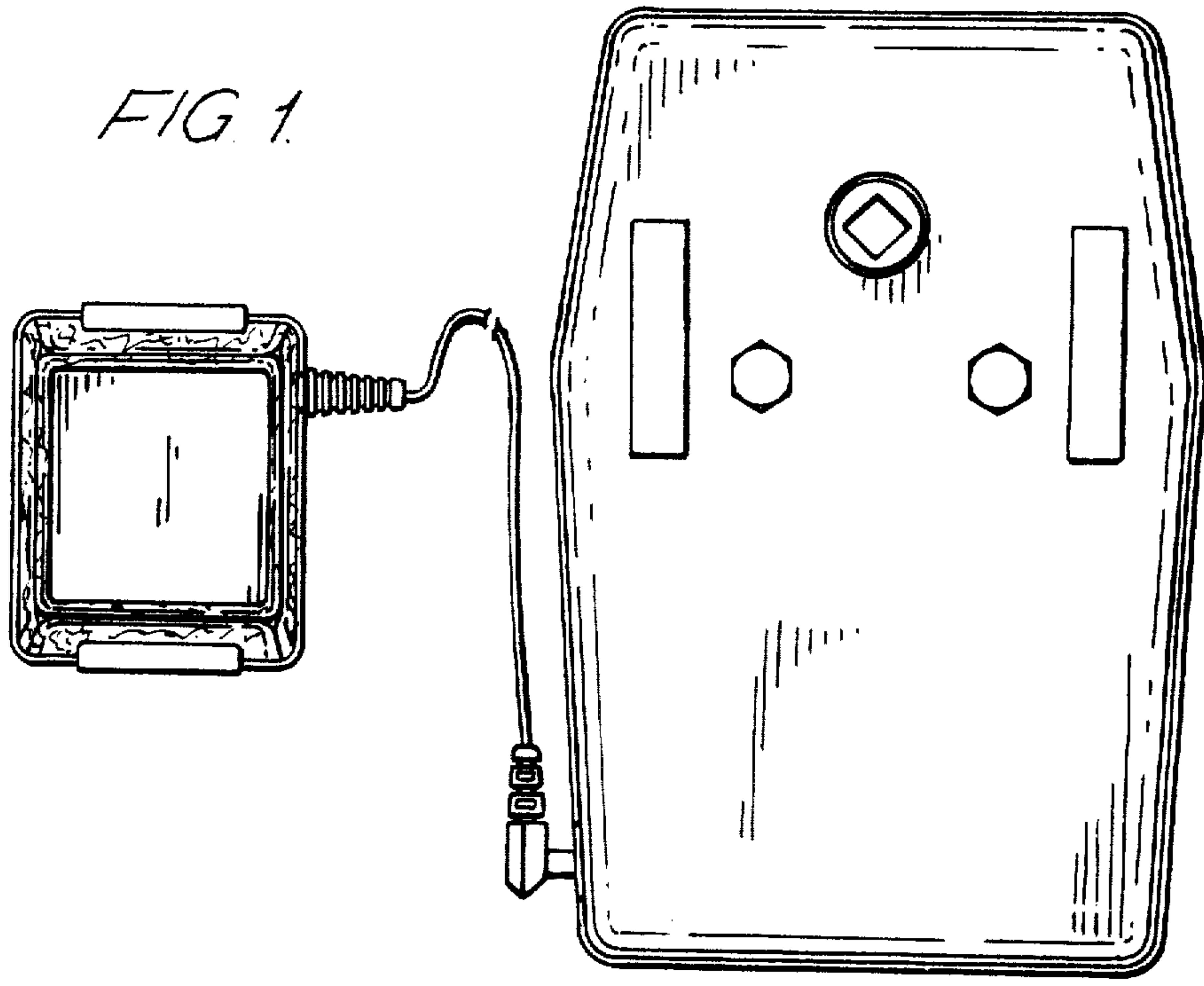


FIG. 3.

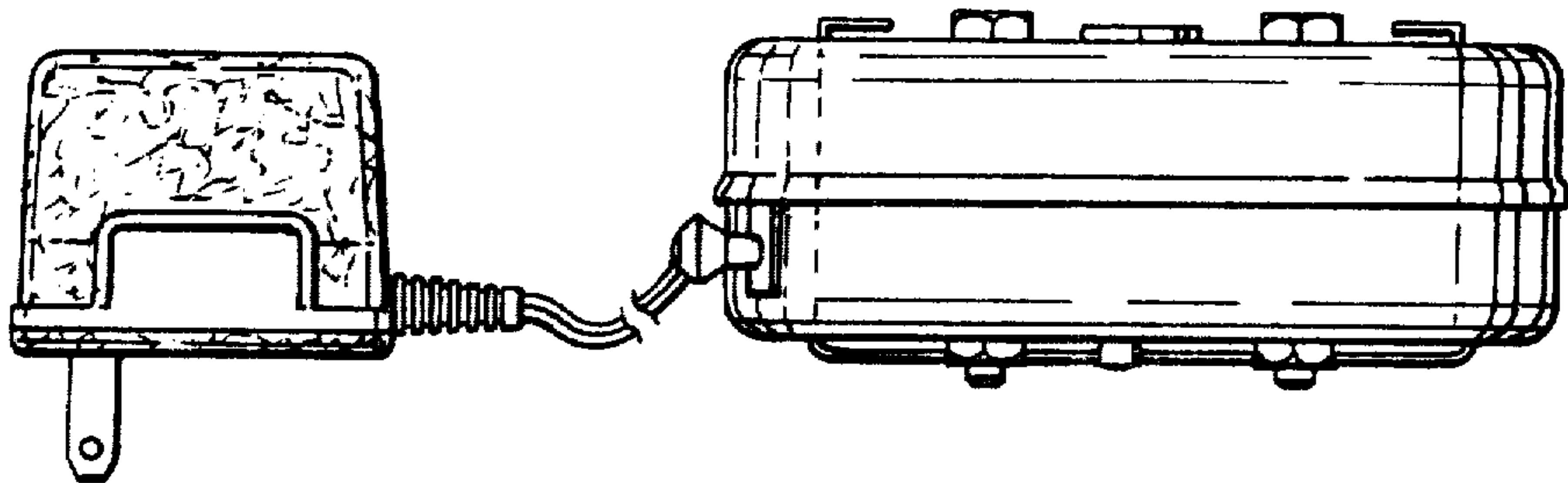


FIG. 4.

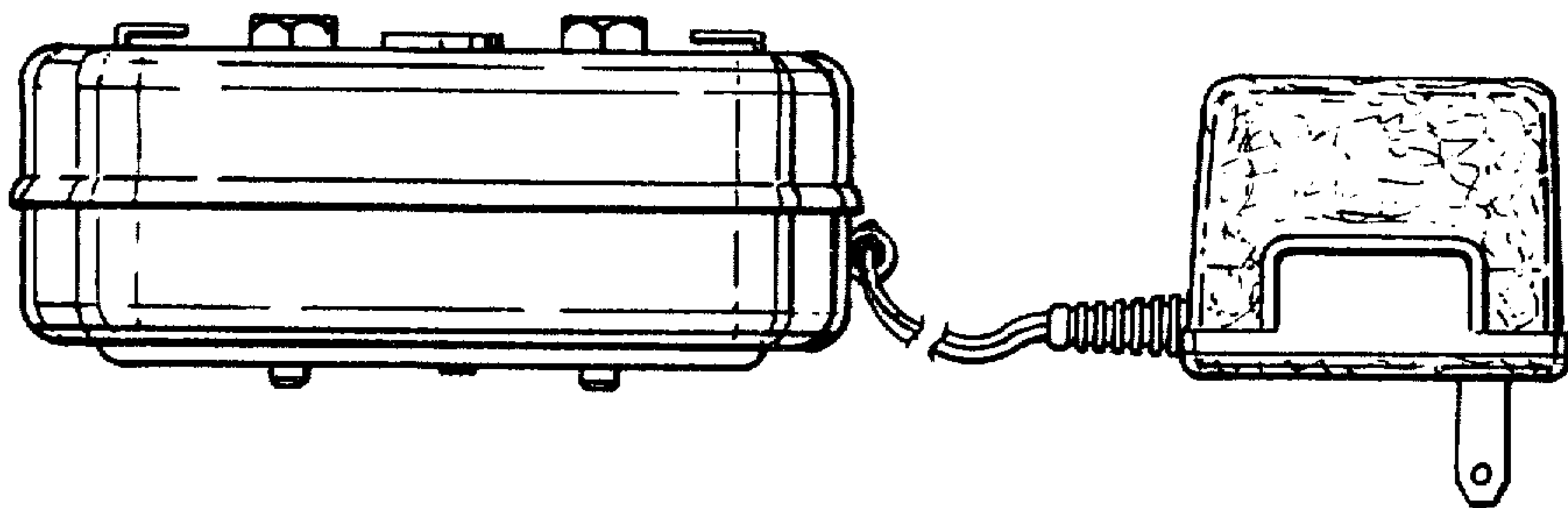


FIG. 5.

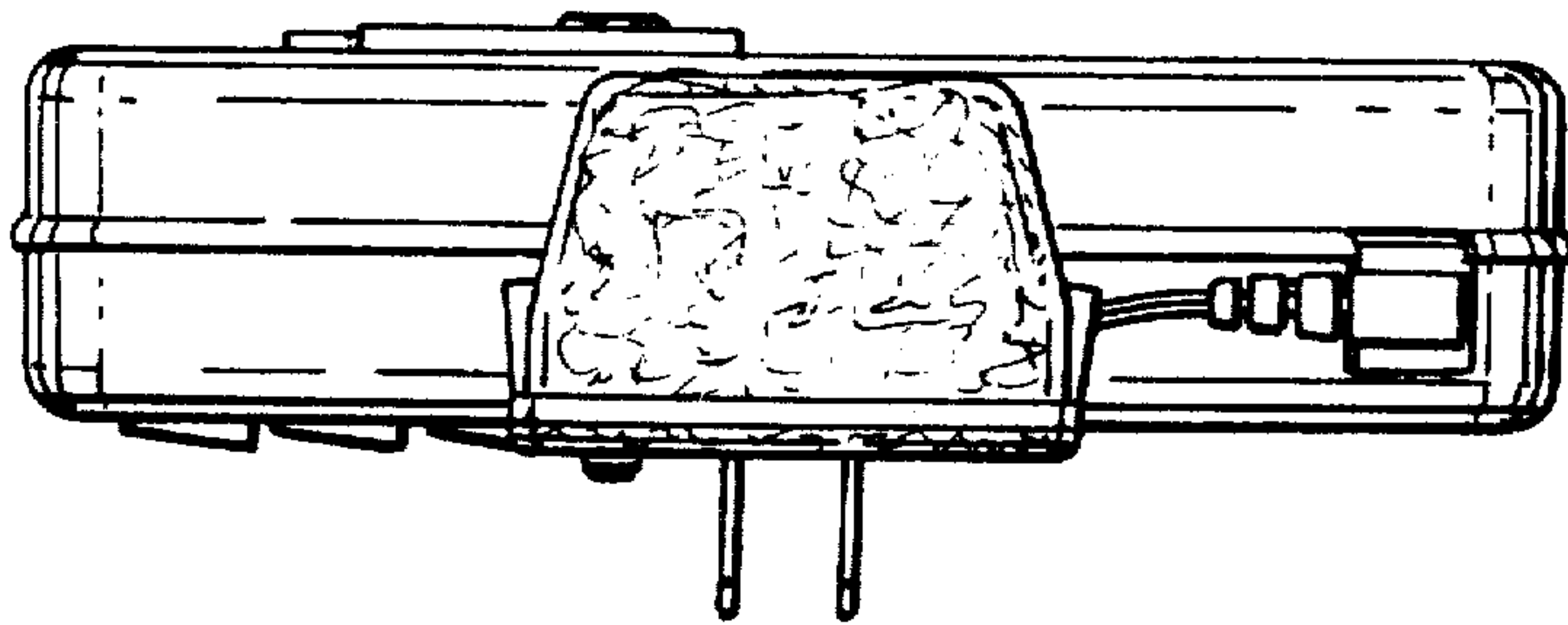


FIG. 6.

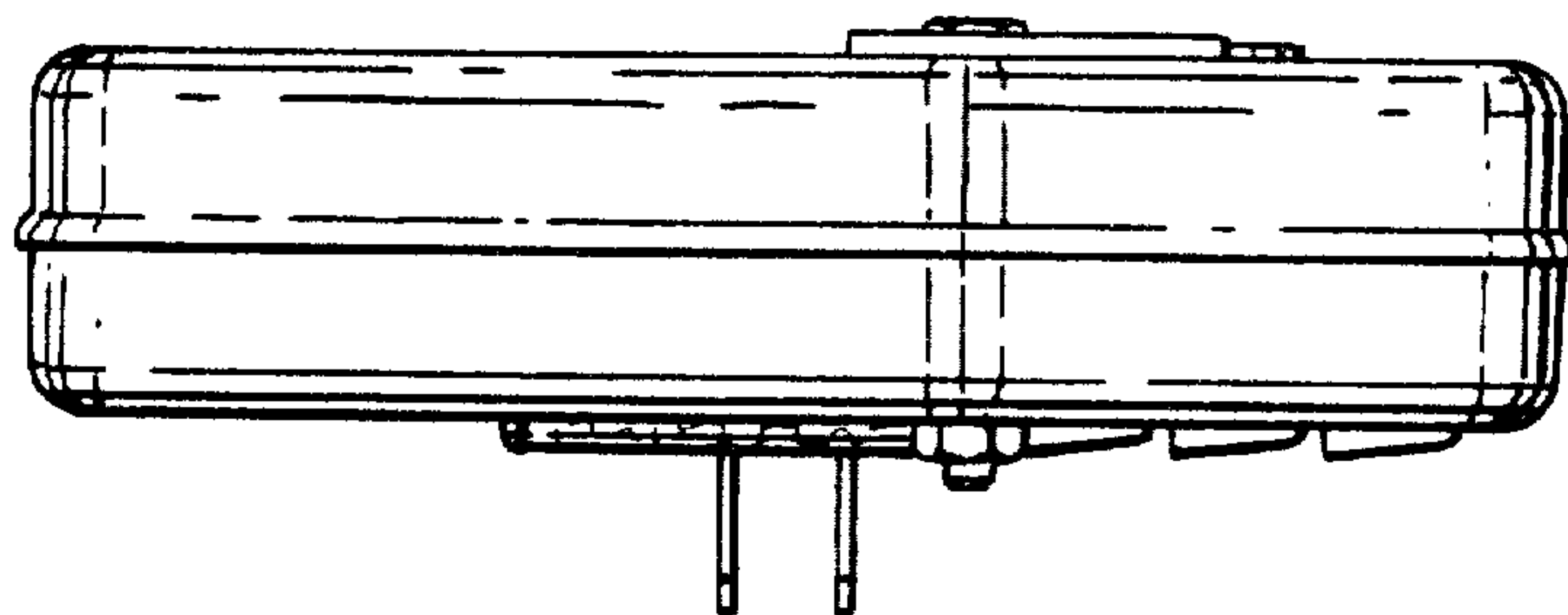


FIG. 7.

