

[54] BOOK HOLDER

[76] Inventor: Milton Fischer, 145 E. 15th St., New York, N.Y. 10001

[**] Term: 14 Years

[21] Appl. No.: 199,486

[22] Filed: Oct. 22, 1980

[51] Int. Cl. D6-04

[52] U.S. Cl. D6/184

[58] Field of Search D6/1, 85, 181, 184, D6/185, 180; 211/10, 11, 42, 43

[56] References Cited

U.S. PATENT DOCUMENTS

D. 184,900 4/1959 Von Meyer D6/185

D. 187,378 3/1960 Allen D6/185
D. 190,501 6/1961 Von Meyer D6/180
D. 253,625 12/1979 Davis D6/184

Primary Examiner—Joel Stearman
Assistant Examiner—Carmen H. Vales

[57] CLAIM

The ornamental design for a book holder, substantially as shown and described.

DESCRIPTION

FIG. 1 is a reduced perspective view of a book holder showing my new design;
FIG. 2 is a top plan view thereof;
FIG. 3 is a right end elevational view thereof;
FIG. 4 is a side elevational view thereof;
FIG. 5 is a left end elevational view thereof; and
FIG. 6 is a bottom plan view.

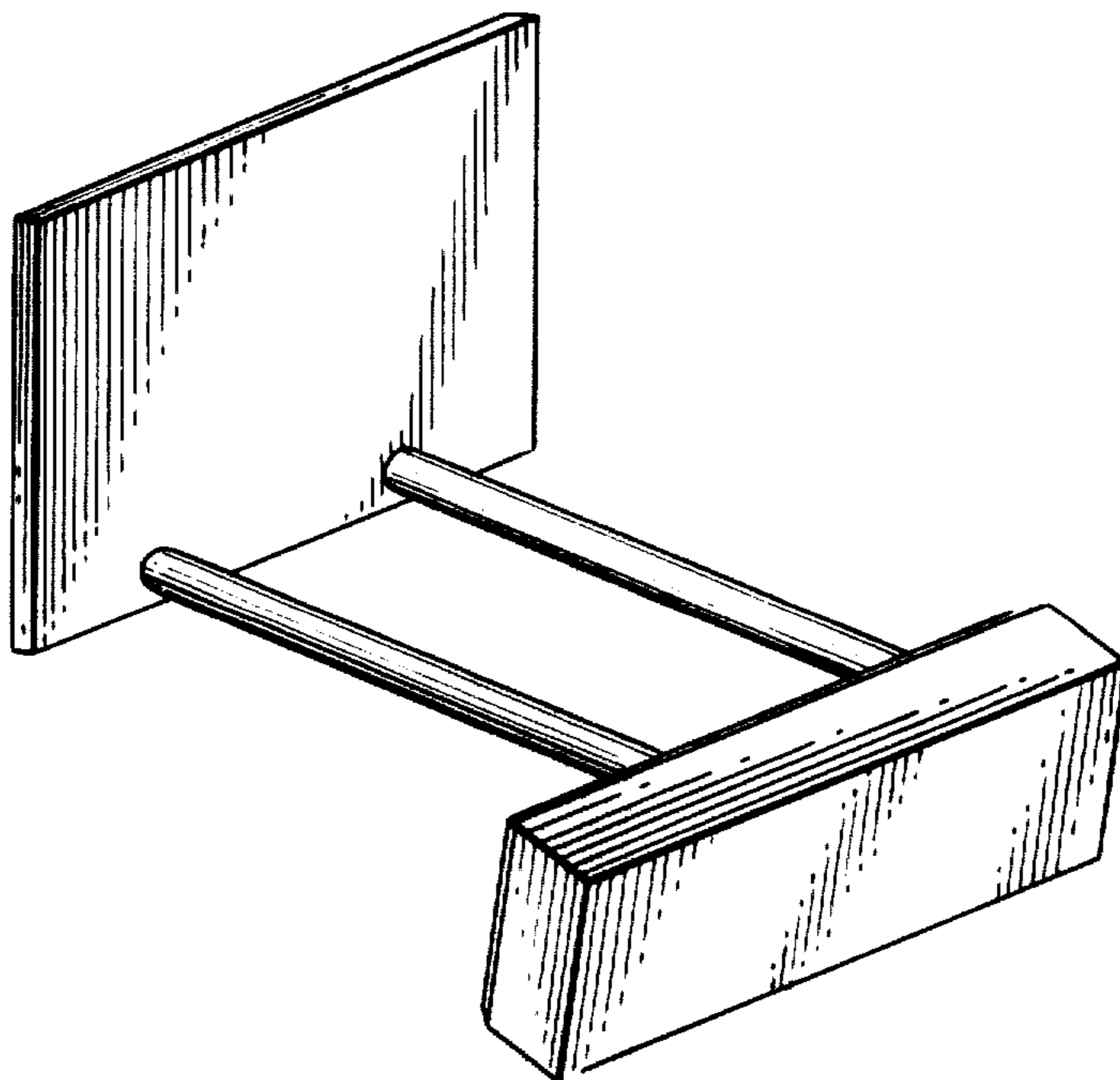


FIG. 1

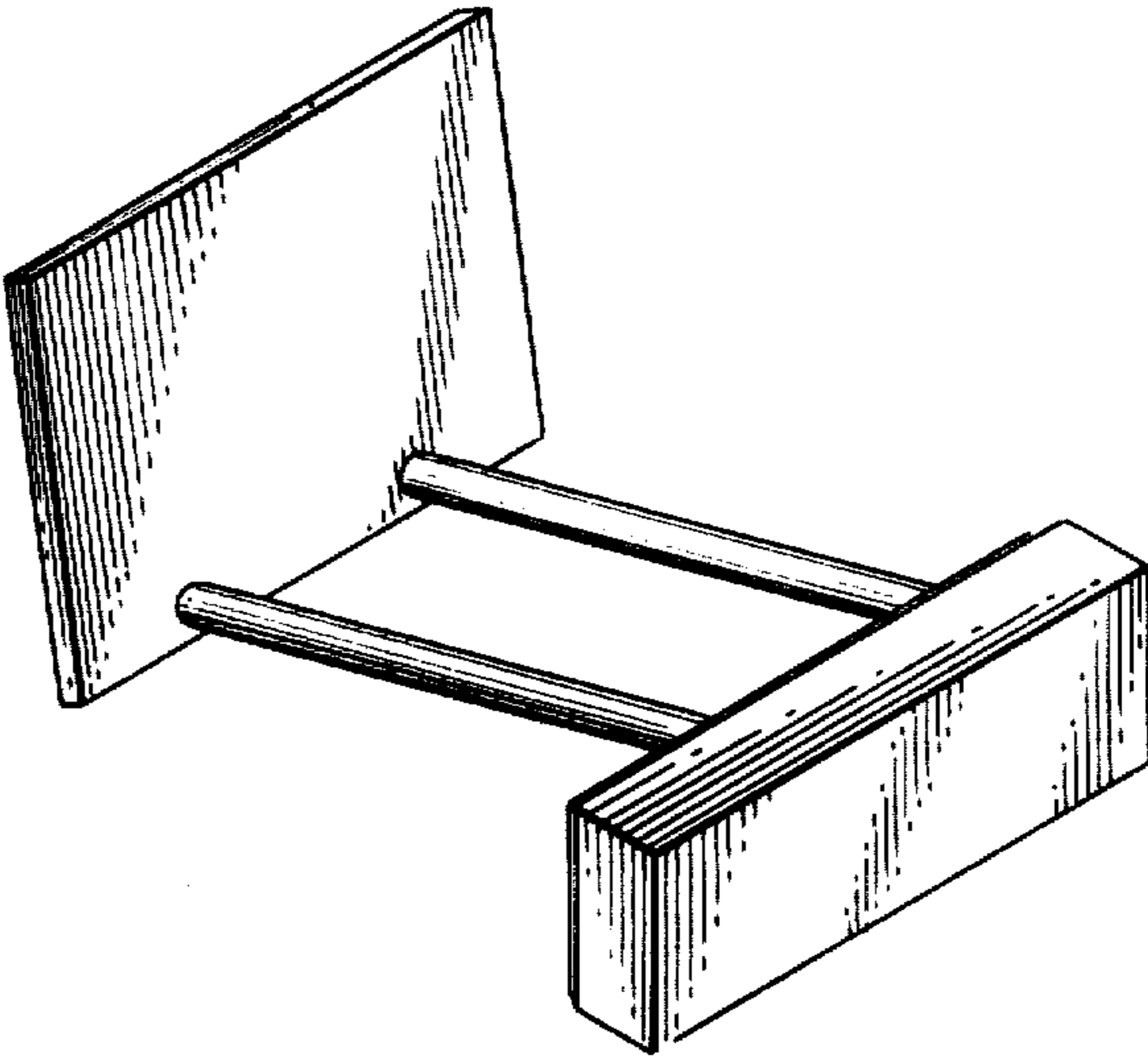


FIG. 2

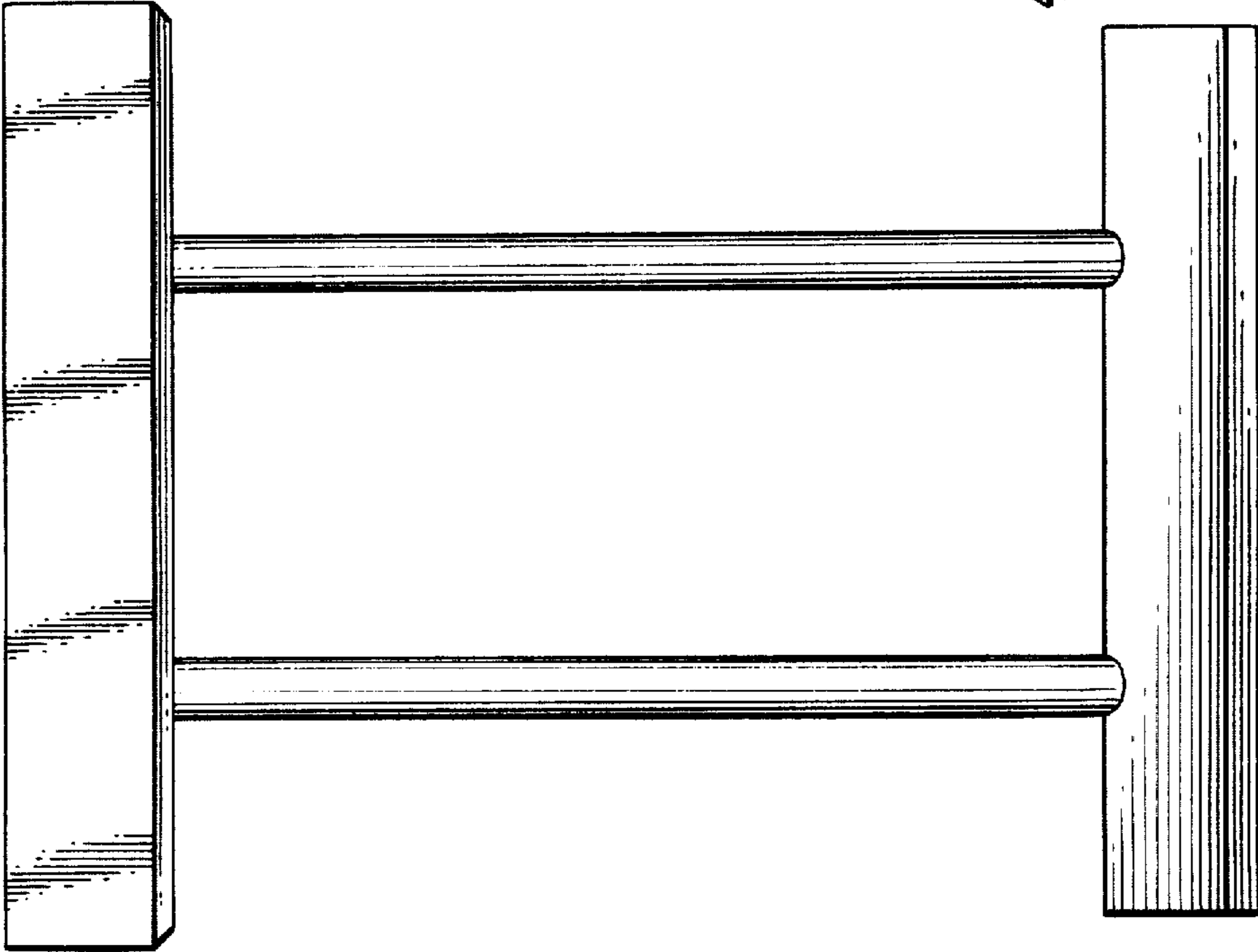
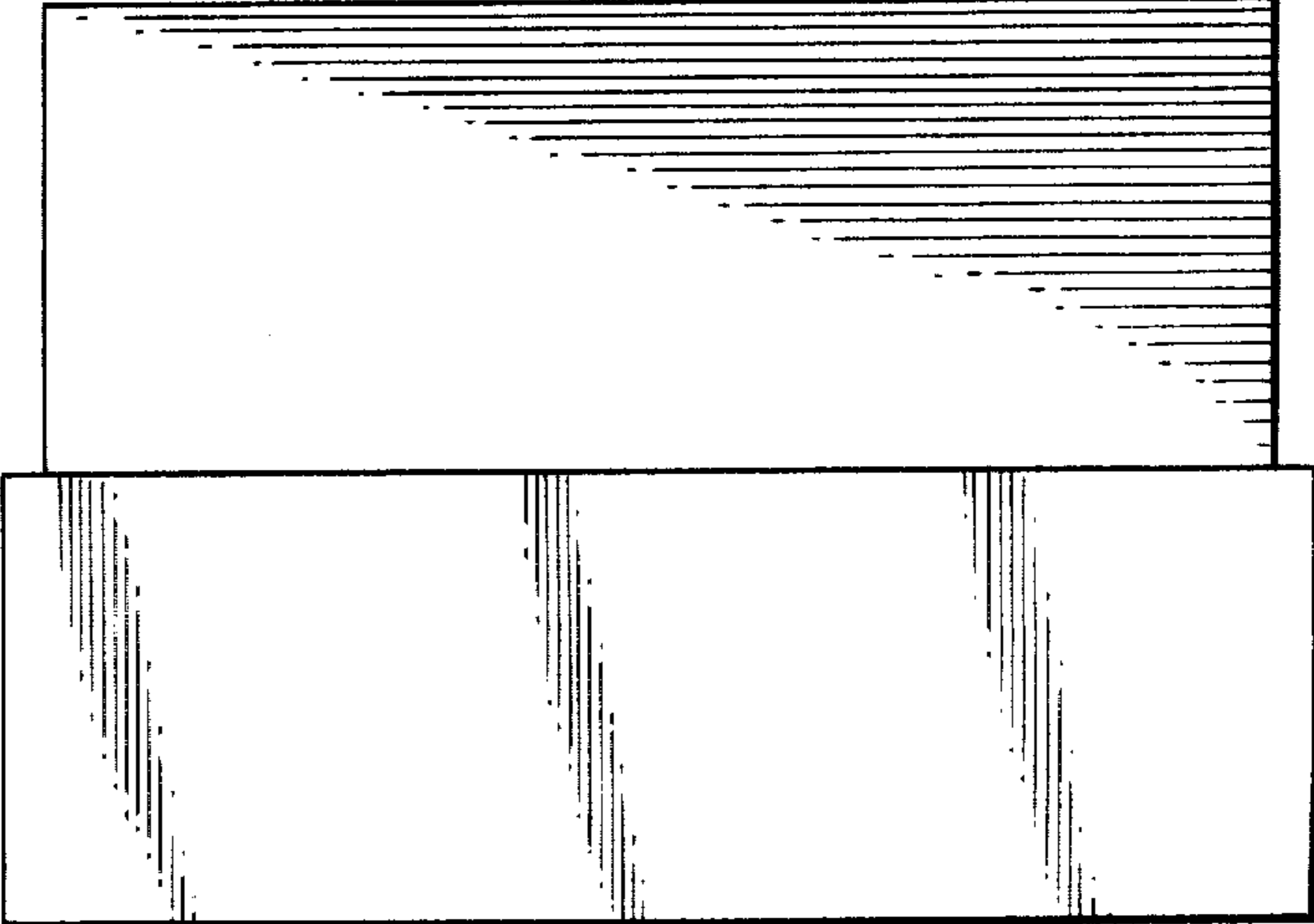


FIG. 3



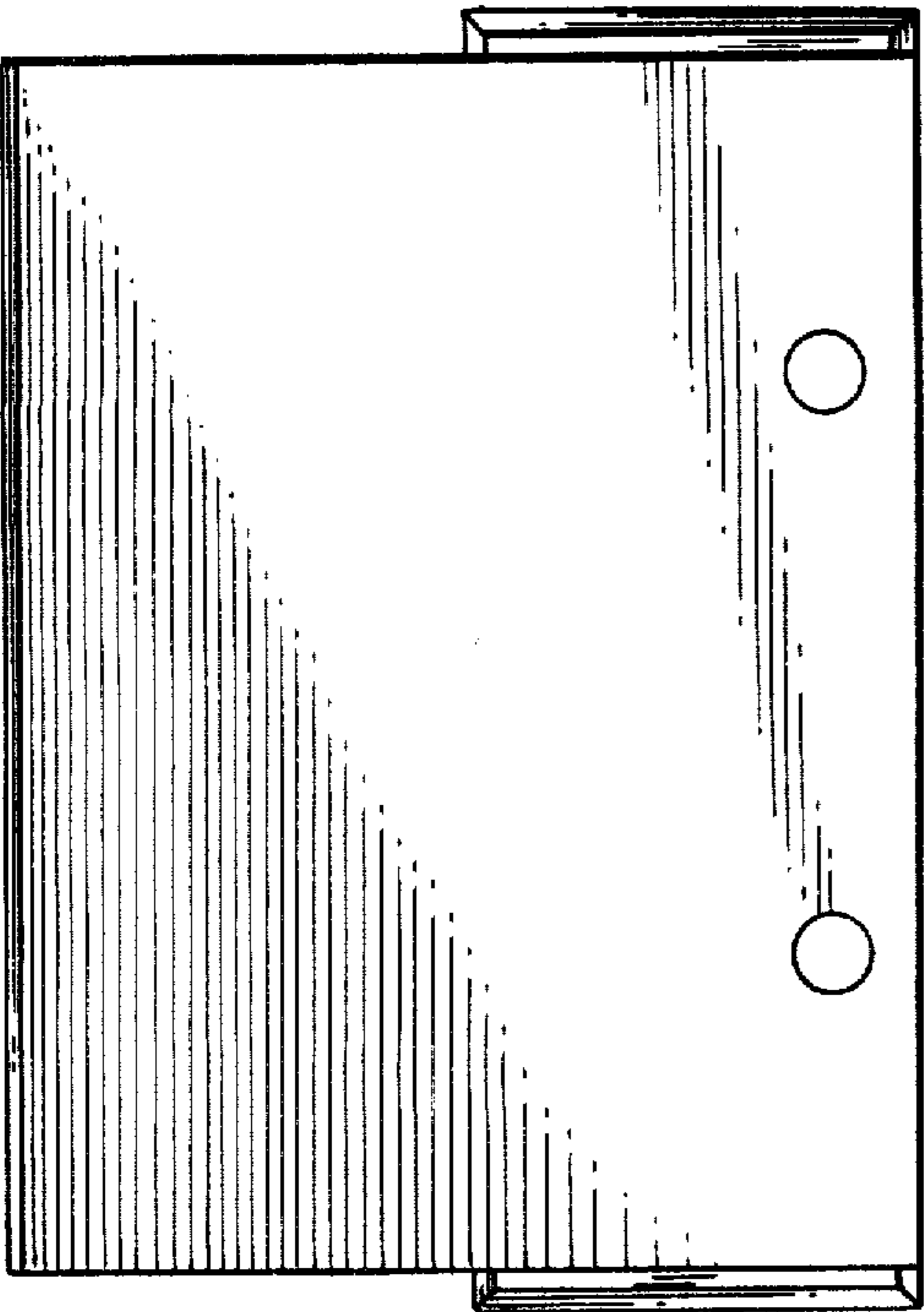


FIG. 5

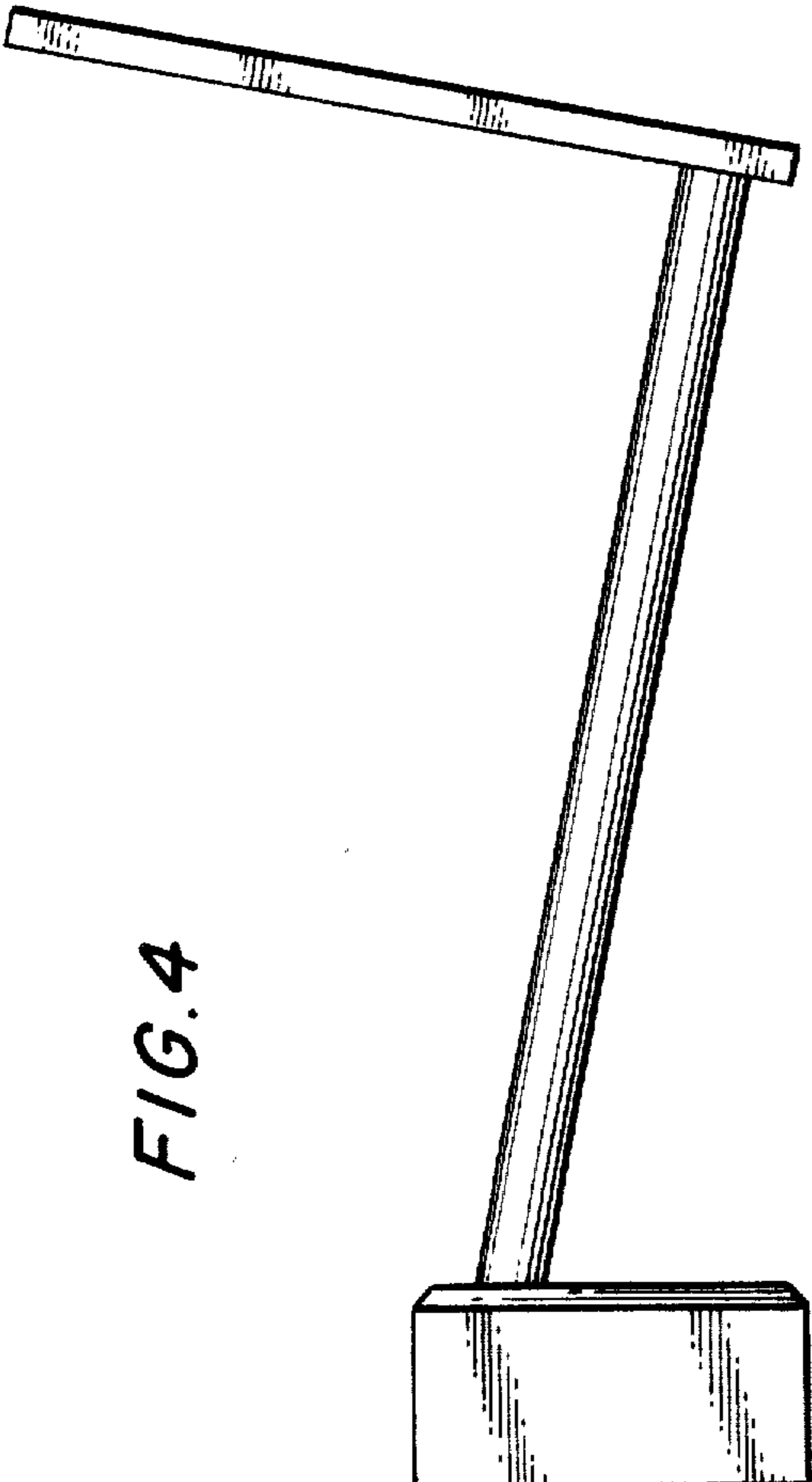


FIG. 4

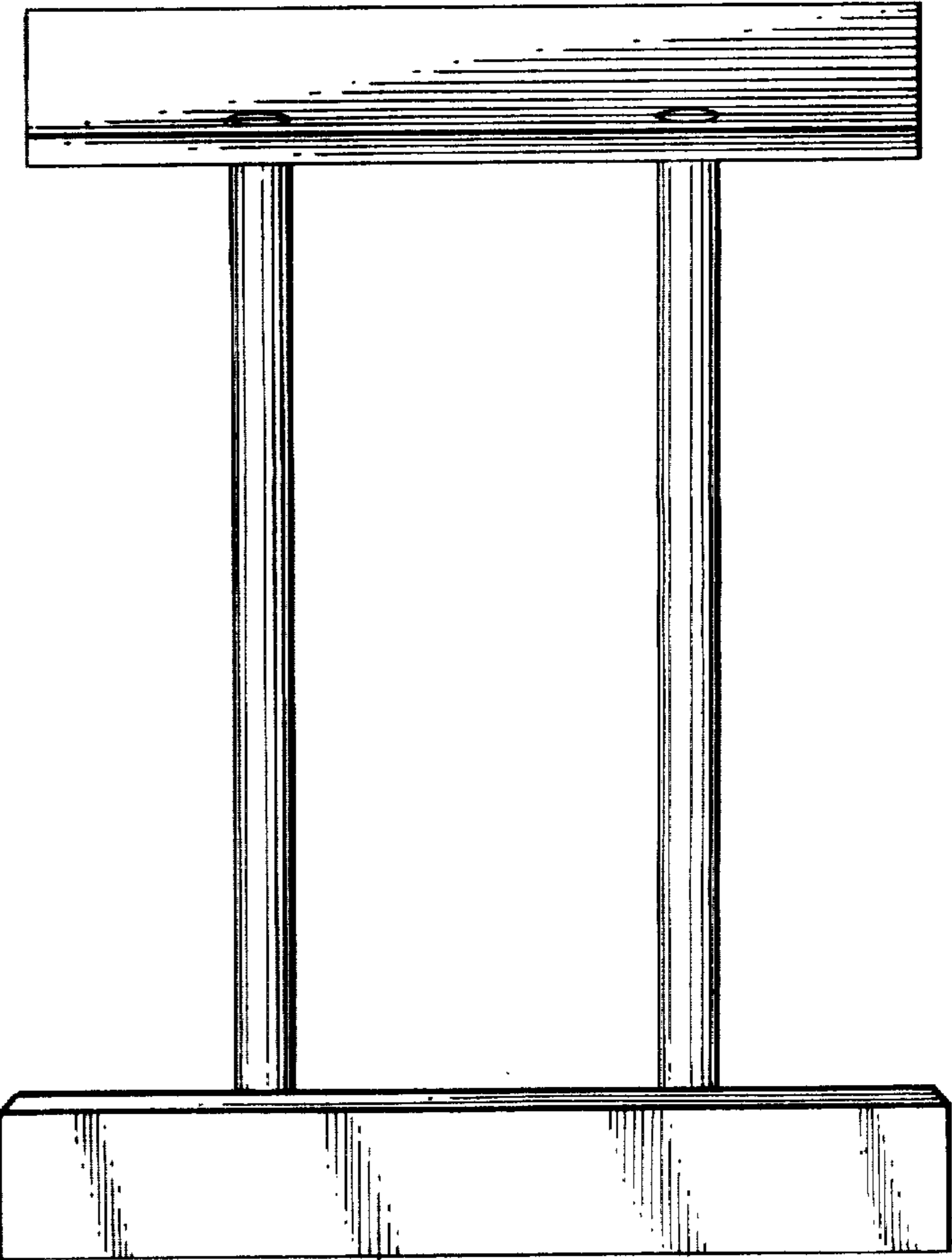


FIG. 6