

[54] COMBINED VALET WALL RACK AND DRAWER UNIT

[76] Inventor: David Nusz, 2025 W. Mark, Layton, Utah 84041

[**] Term: 14 Years

[21] Appl. No.: 186,523

[22] Filed: Sep. 12, 1980

Related U.S. Application Data

[63] Continuation-in-part of Ser. No. 974,128, Dec. 26, 1978, Pat. No. Des. 257,303, which is a continuation-in-part of Ser. No. 67,837, Aug. 2, 1979, Pat. No. Des. 260,586.

[51] Int. Cl. D6-04

[52] U.S. Cl. D6/123; D6/116; D6/129; D6/136

[58] Field of Search D6/114, 116, 123, 129, D6/130, 132-136, 158, 233; 108/152; 312/224, 245, 330 R

[56] References Cited

U.S. PATENT DOCUMENTS

- D. 35,674 2/1902 Church D6/123
- D. 91,819 3/1934 Guild D6/129
- D. 235,715 7/1975 Breault D6/129
- D. 242,206 11/1976 Ehresmann D6/114
- D. 245,557 8/1977 Wisser D6/123

OTHER PUBLICATIONS

Yield House Cat. ©1975; p. 35; Dresser-Top Mirror #4816013 (bottom center).

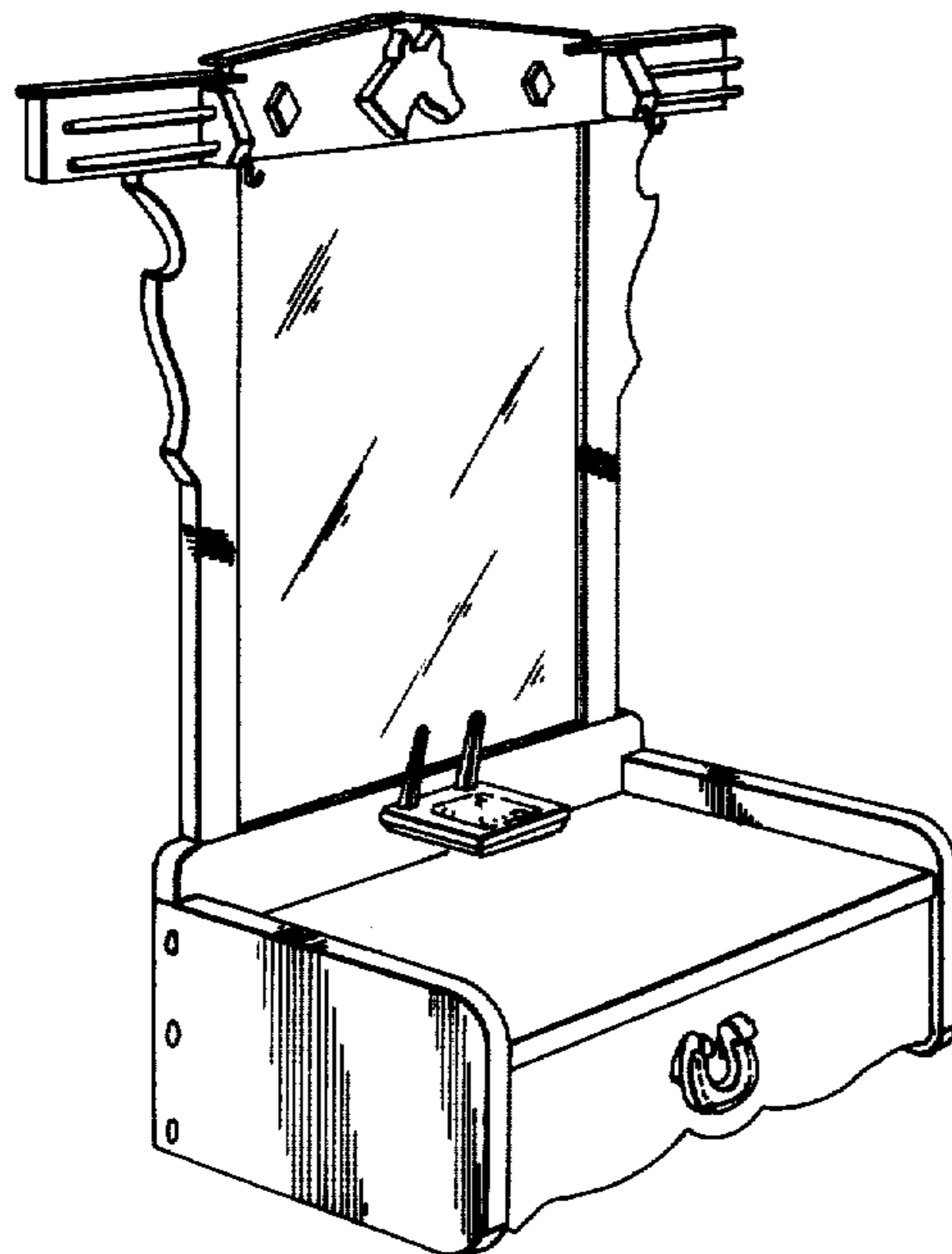
Primary Examiner—B. J. Bullock
Attorney, Agent, or Firm—Richard F. Bojanowski

[57] CLAIM

The ornamental design for a combined valet wall rack and drawer unit, as shown and described.

DESCRIPTION

FIG. 1 is a front perspective view of a combined valet rack and drawer unit showing my new design, the rear being flat and unornamented;
FIG. 2 is a side elevational view taken from the left of FIG. 1, the side opposite being a mirror image thereof;
FIG. 3 is a fragmentary bottom perspective view thereof.



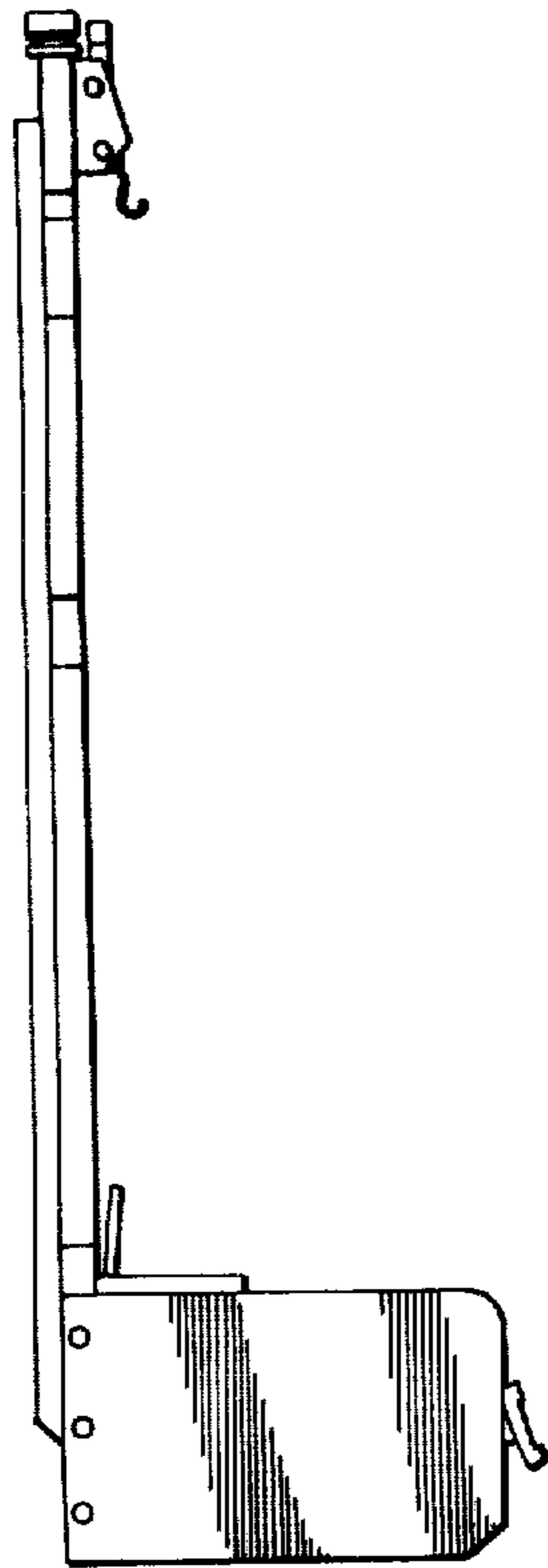


Fig. 2

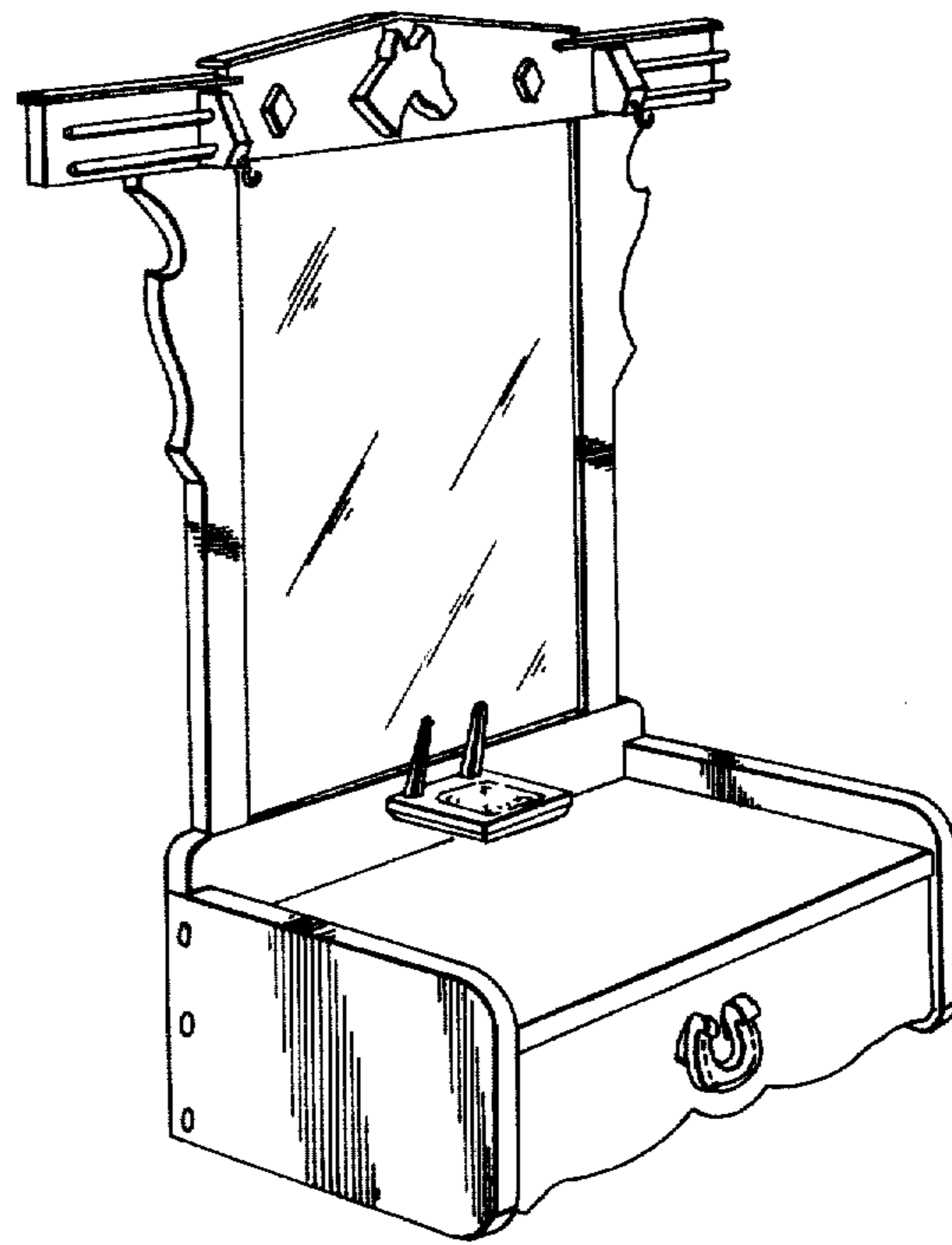


Fig. 1

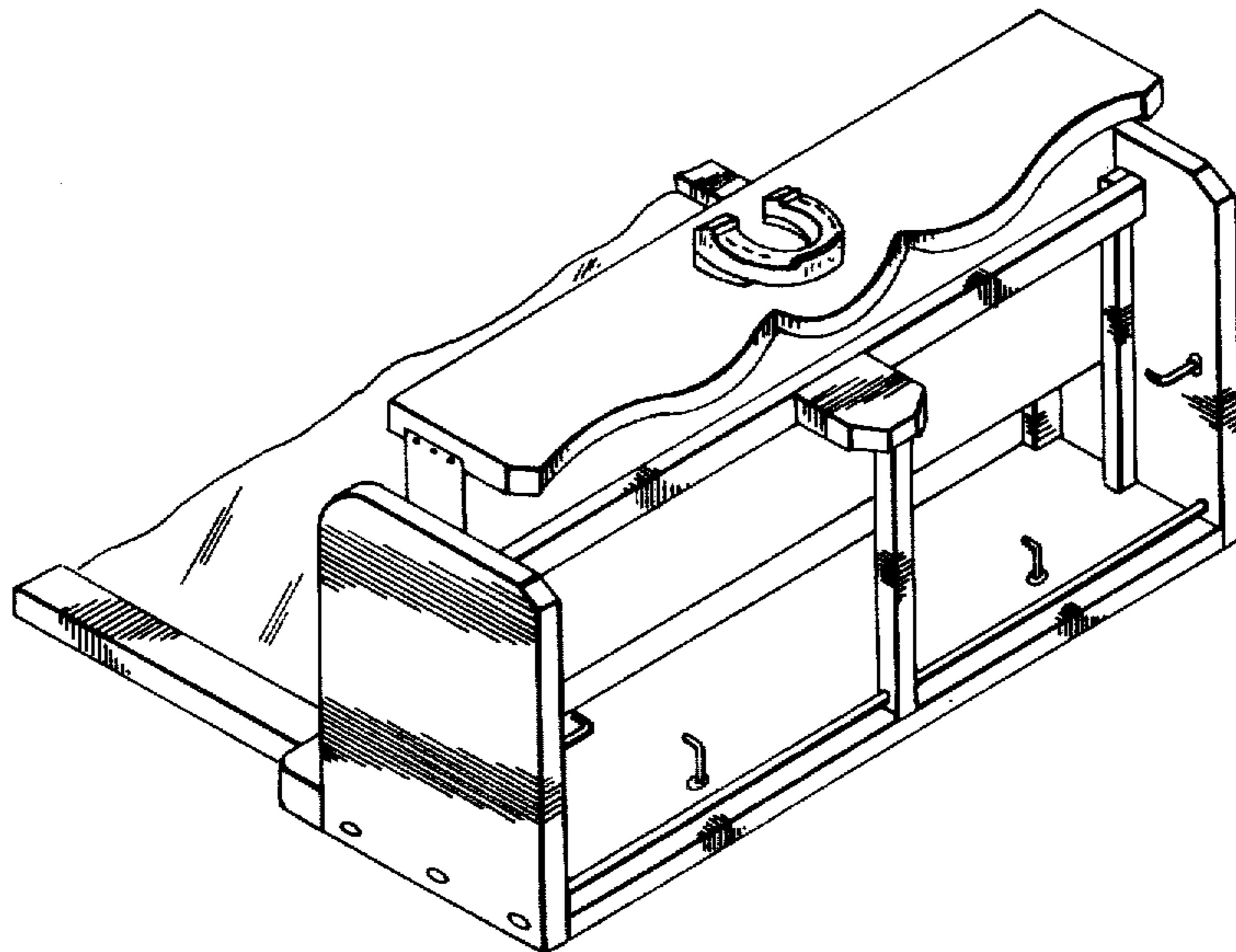


Fig. 3