

[54] **WINDOW FRAME HINGE MEMBER**

[76] Inventor: **Marvin L. Goldhaber**, 5102 Rock Run, West Bloomfield, Mich. 48033

[\*\*] Term: **14 Years**

[21] Appl. No.: **204,599**

[22] Filed: **Nov. 6, 1980**

[51] Int. Cl. .... **D25—01**

[52] U.S. Cl. .... **D25/74**

[58] Field of Search ..... **D25/74-79;**  
**160/90; 49/413, 419, 501; 52/202**

[56] **References Cited**

**U.S. PATENT DOCUMENTS**

- D. 251,133 2/1979 Bancroft et al. .... **D25/74**
- D. 251,444 3/1979 Bancroft et al. .... **D25/76**

4,175,357 11/1979 Goldhaber ..... 49/395

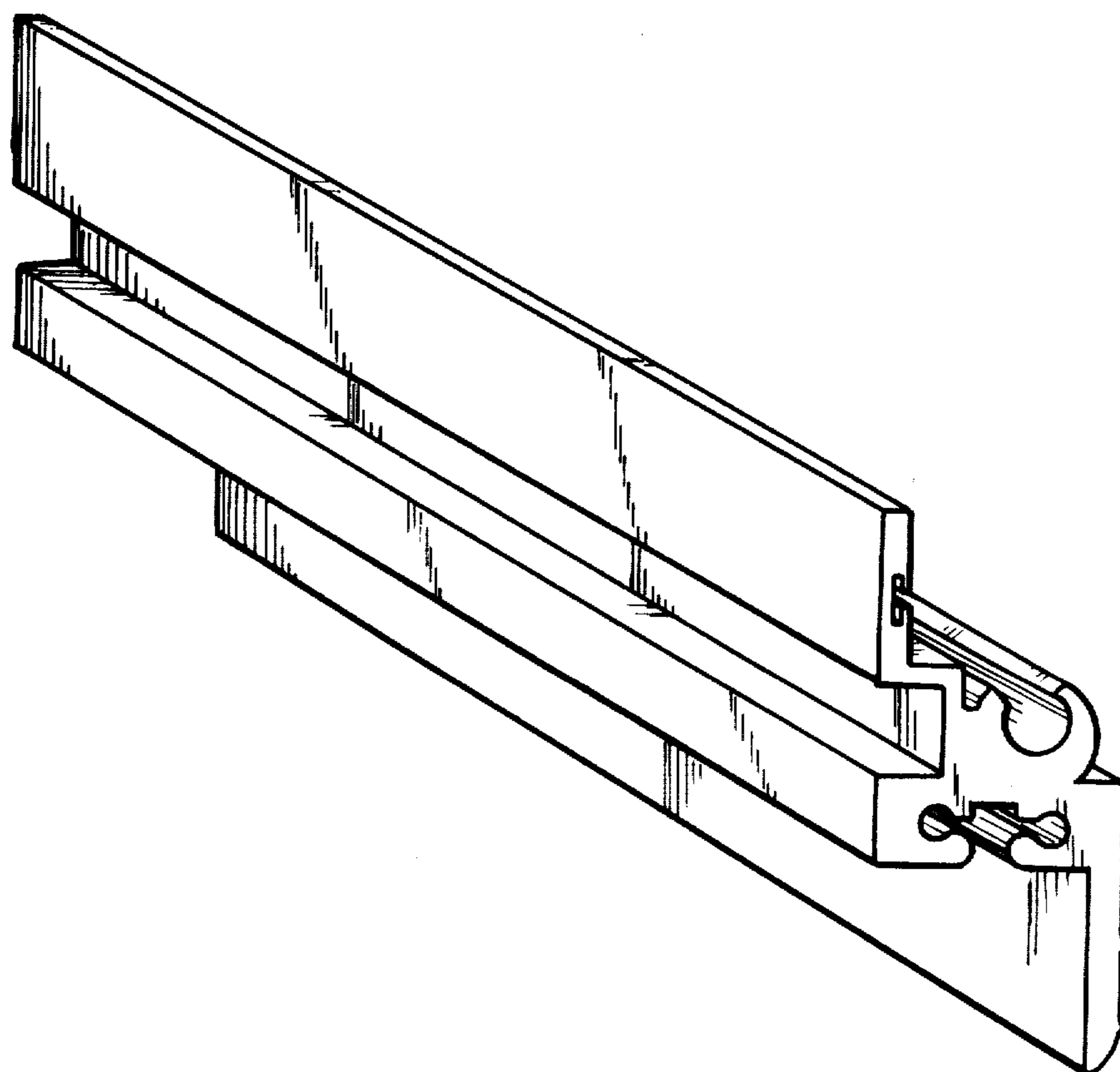
*Primary Examiner*—A. Hugo Word  
*Attorney, Agent, or Firm*—Basile, Weintraub & Hanlon

[57] **CLAIM**

The ornamental design for a window frame hinge member, as shown.

**DESCRIPTION**

FIG. 1 is a rear perspective view illustrating a window frame hinge member showing my new design; FIG. 2 is a front elevational view thereof; FIG. 3 is a top elevational view thereof; FIG. 4 is a right-end elevational view thereof as seen from line 4—4 of FIG. 2; FIG. 5 is a left-end elevational view thereof as seen from line 5—5 of FIG. 2; FIG. 6 is a rear elevational view thereof; and FIG. 7 is a bottom elevational view thereof.



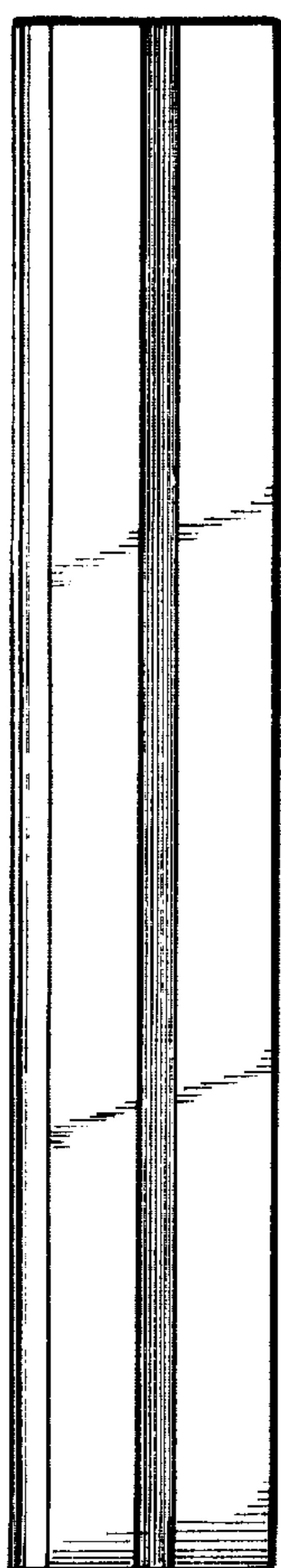


Fig. 7

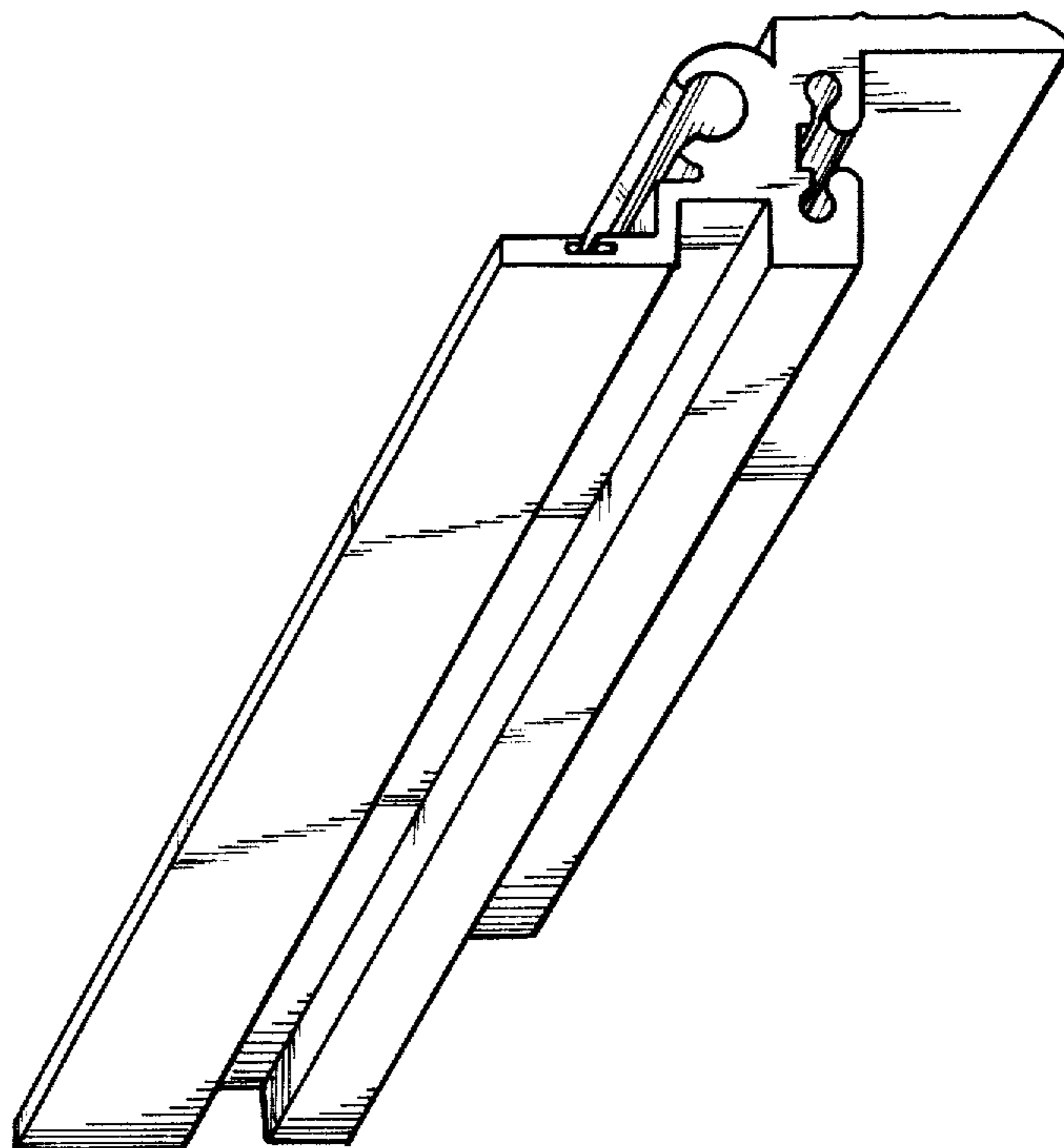


Fig. 1

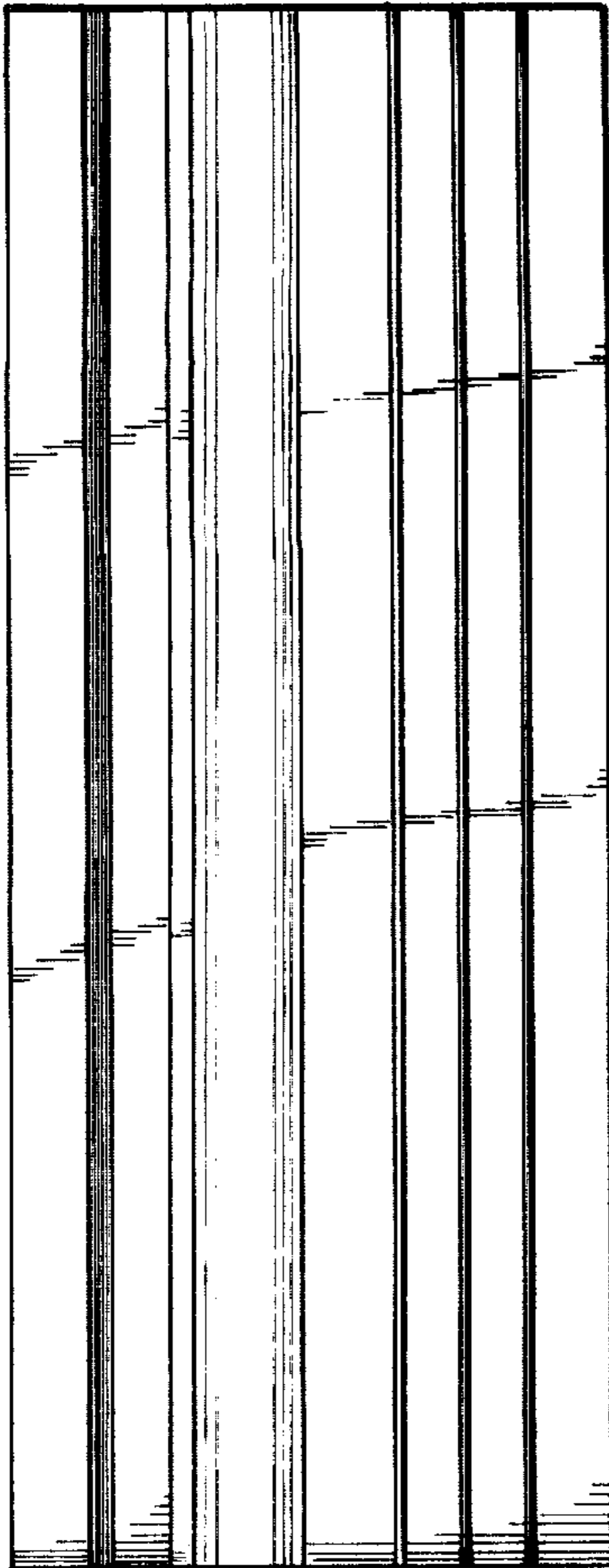


Fig. 2

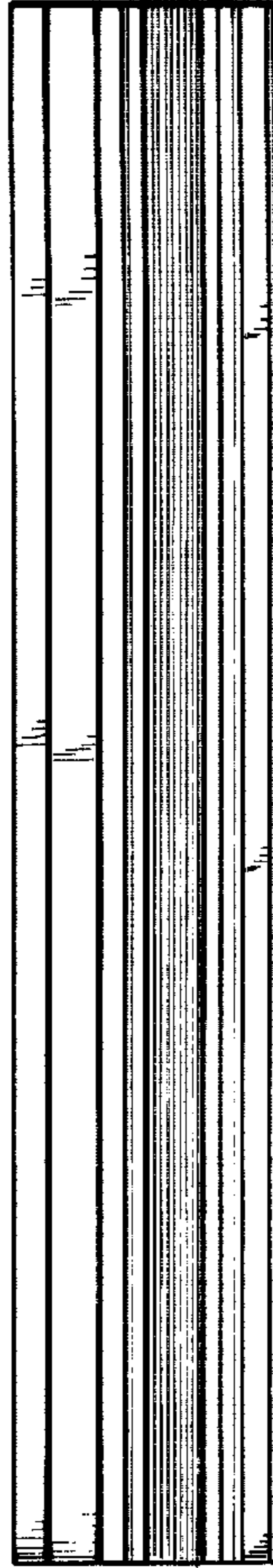


Fig. 3

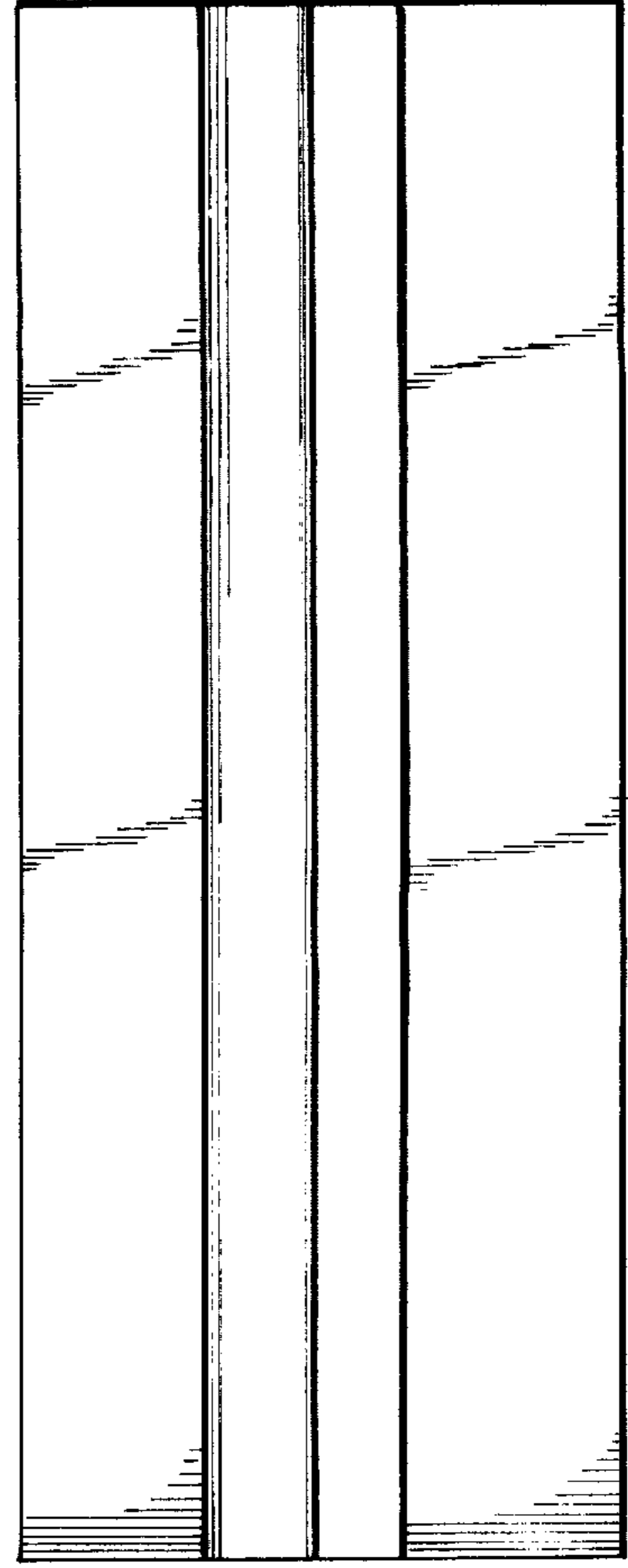


Fig. 6

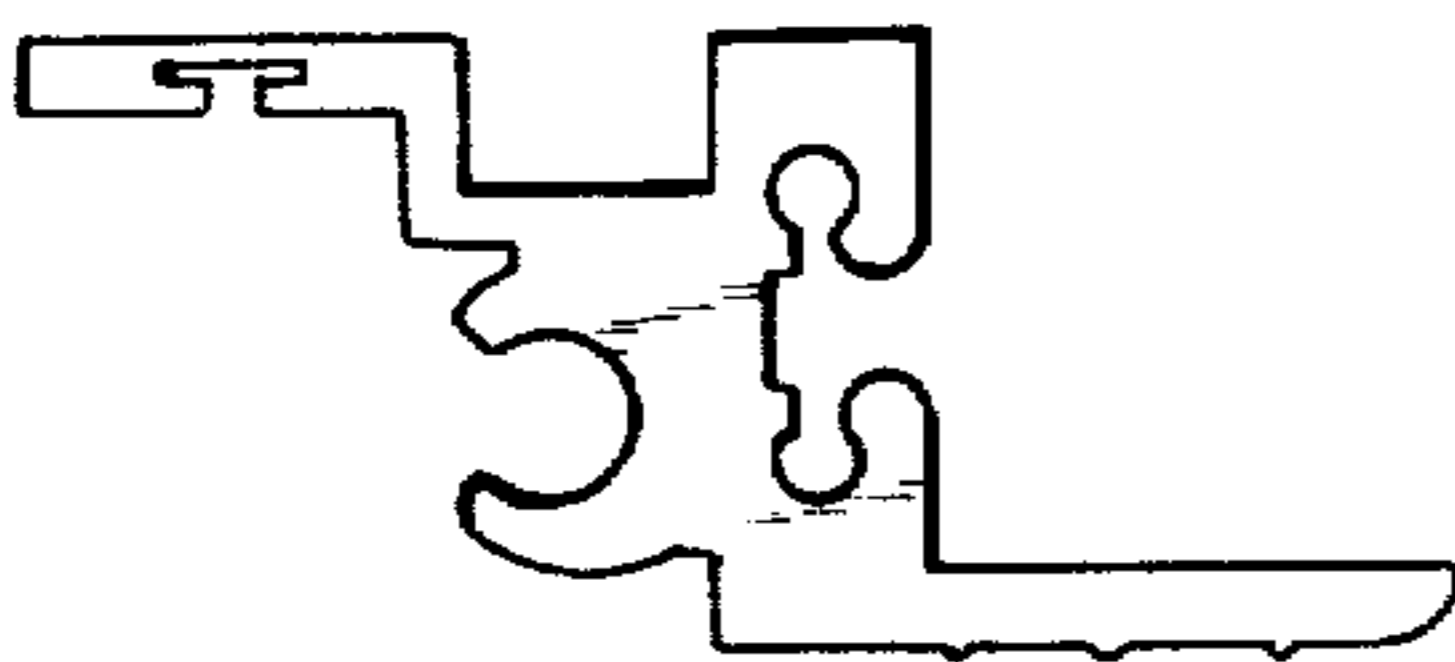


Fig. 4

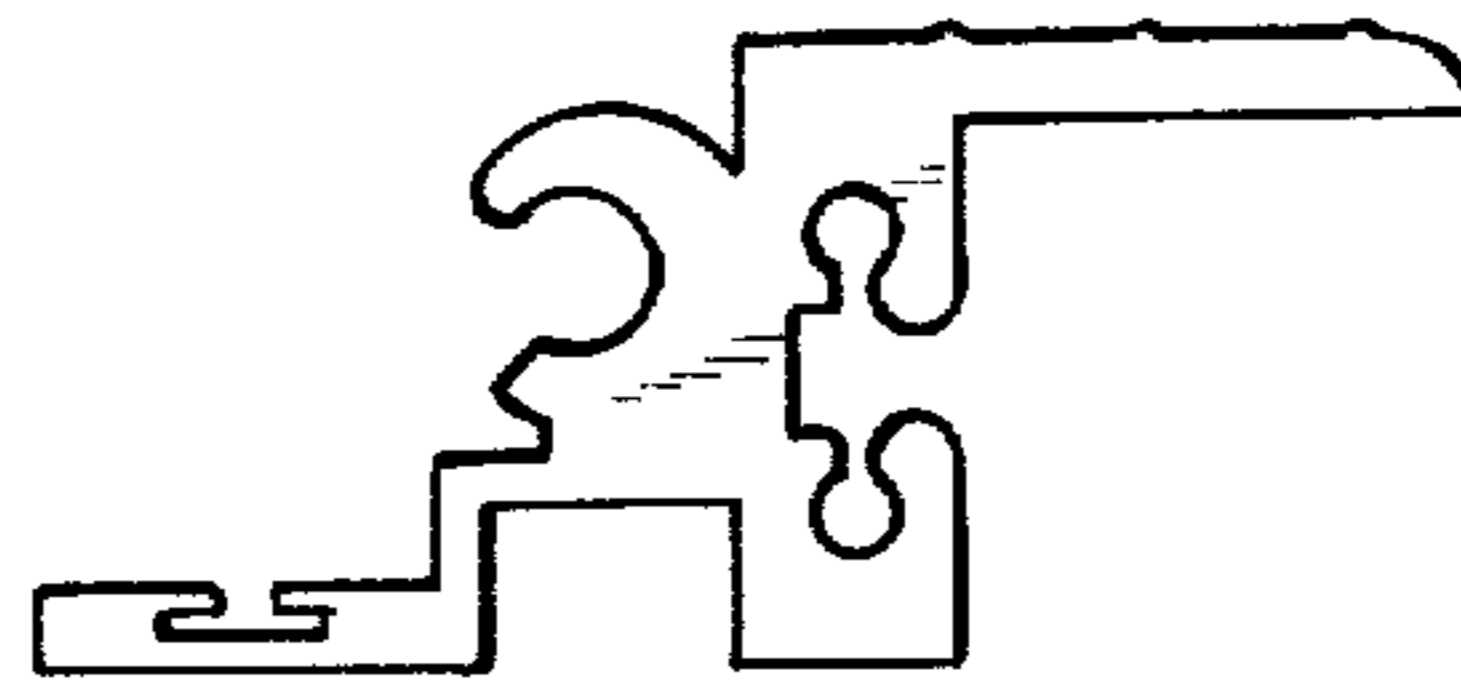


Fig. 5