

[54] DRIP CHAMBER SPIKE

[75] Inventor: Herbert Mittleman, Deerfield, Ill.

[73] Assignee: Baxter Travenol Laboratories, Inc., Deerfield, Ill.

[**] Term: 14 Years

[21] Appl. No.: 94,378

[22] Filed: Nov. 15, 1979

[51] Int. Cl. D24-02

[52] U.S. Cl. D24/24; D24/25; D24/99; D9/437

[58] Field of Search 128/272, 272.1, 272.3, 128/214 D, 214 C, 214.2; 137/390; 222/81, 83, 83.5, 85, 86, 88; 73/1 F; D24/24, 25; D9/437

[56] References Cited

U.S. PATENT DOCUMENTS

- D. 194,168 11/1962 Lipschutz et al. D9/437
- D. 228,968 10/1973 Burke et al. D24/24
- D. 228,969 10/1973 Burke et al. D24/24
- D. 229,518 12/1973 Bujan D24/24

- D. 229,895 1/1974 Musumeci D9/437
- 2,837,091 6/1958 McMinn et al. 128/214 C
- 3,030,954 4/1962 Thornton, Jr. 128/214 C
- 3,465,784 9/1969 Cofoid 137/390
- 3,478,184 11/1969 Cofoid 200/84 C
- 3,795,558 3/1974 Dabney et al. 73/1 F

Primary Examiner—Bernard Ansher
Attorney, Agent, or Firm—John P. Kirby, Jr.; John A. Caruso; George H. Gerstman

[57] CLAIM

The ornamental design for a drip chamber spike, as shown and described.

DESCRIPTION

FIG. 1 is a perspective view of a drip chamber spike in accordance with my new design;
 FIG. 2 is a top plan view thereof;
 FIG. 3 is a front elevational view thereof;
 FIG. 4 is a side elevational view thereof, taken from the right side of FIG. 3, it being understood that the left side is symmetrical therewith;
 FIG. 5 is a rear elevational view thereof; and
 FIG. 6 is a bottom view thereof.

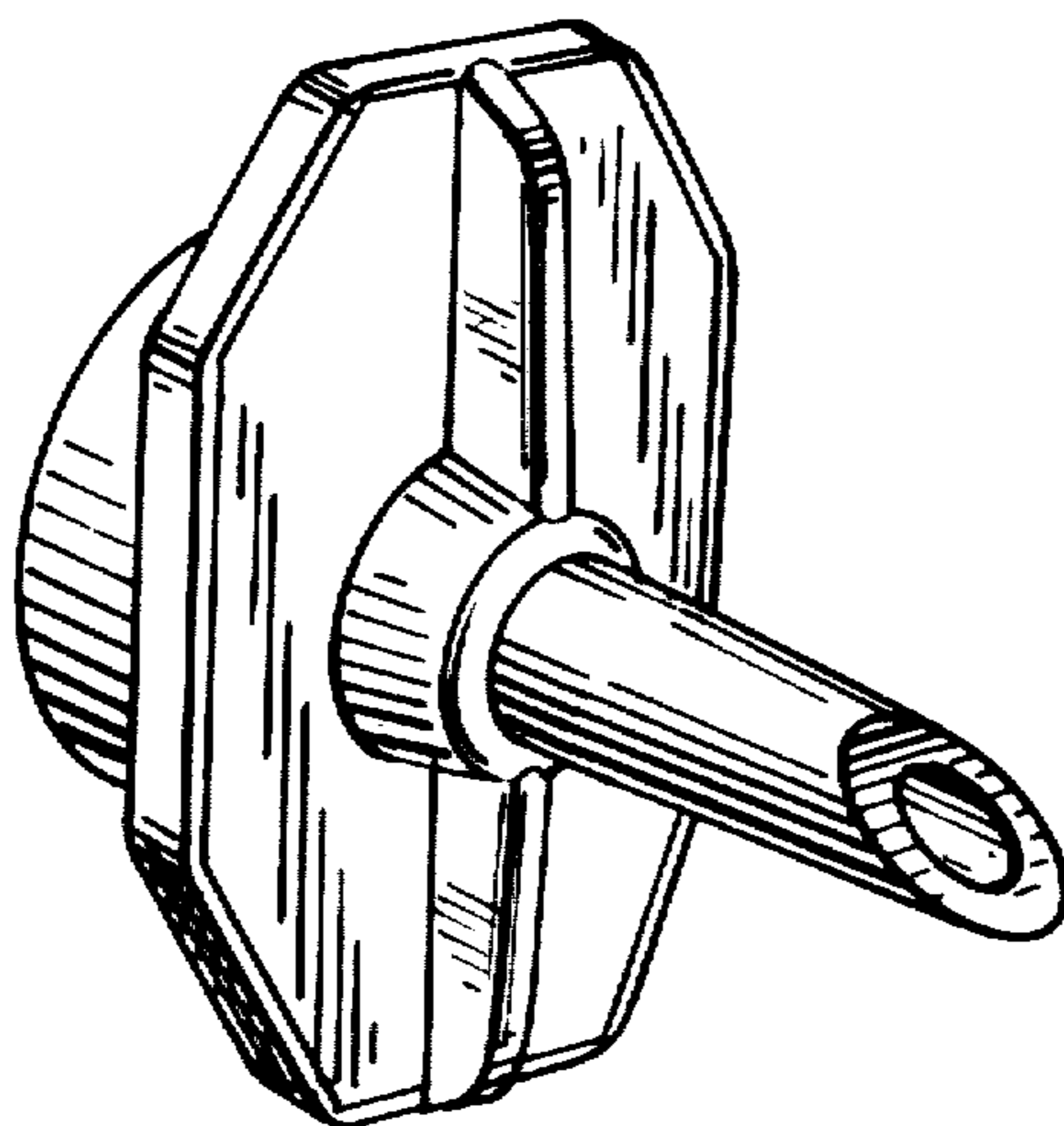


FIG. 1

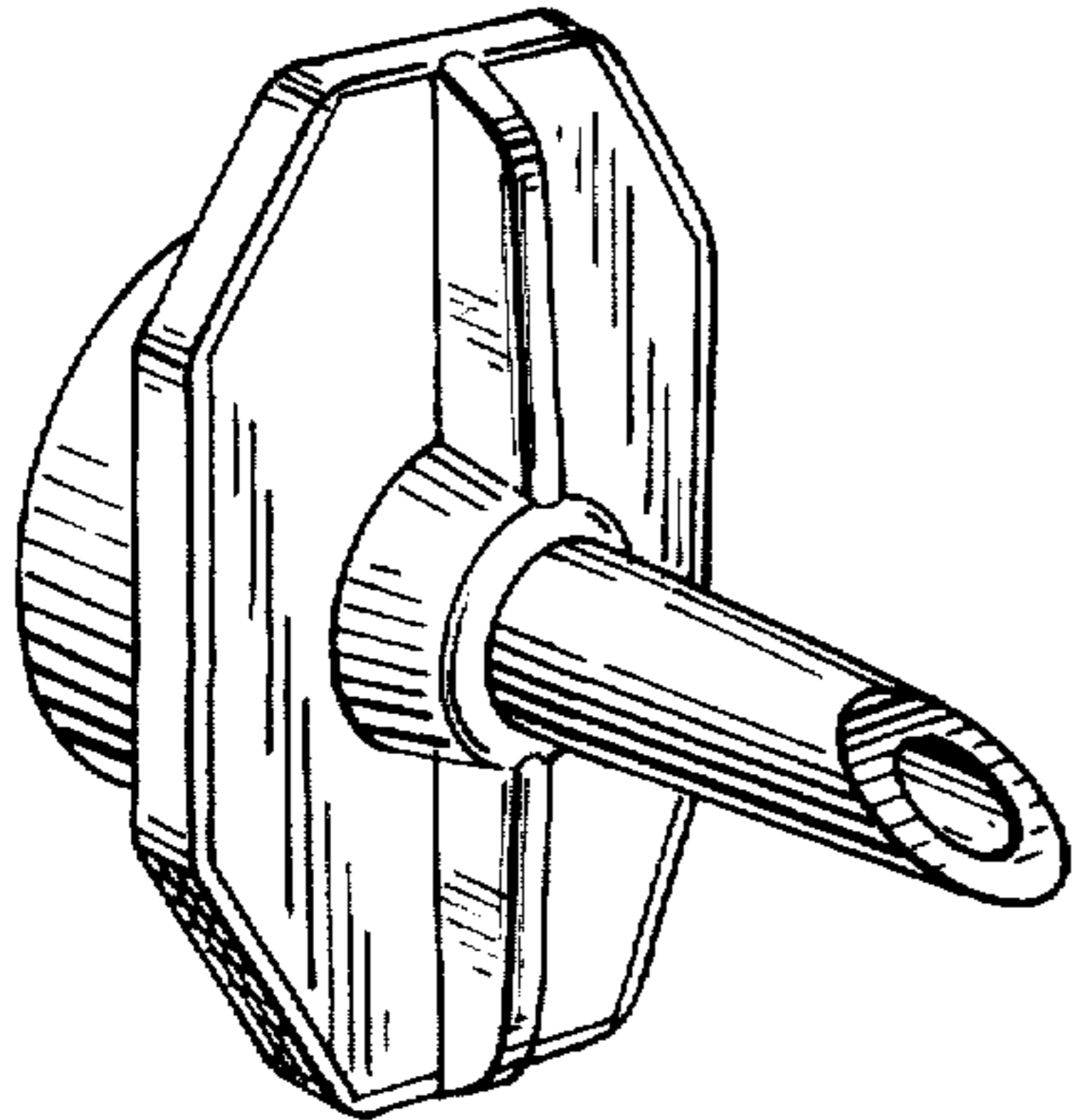


FIG. 2

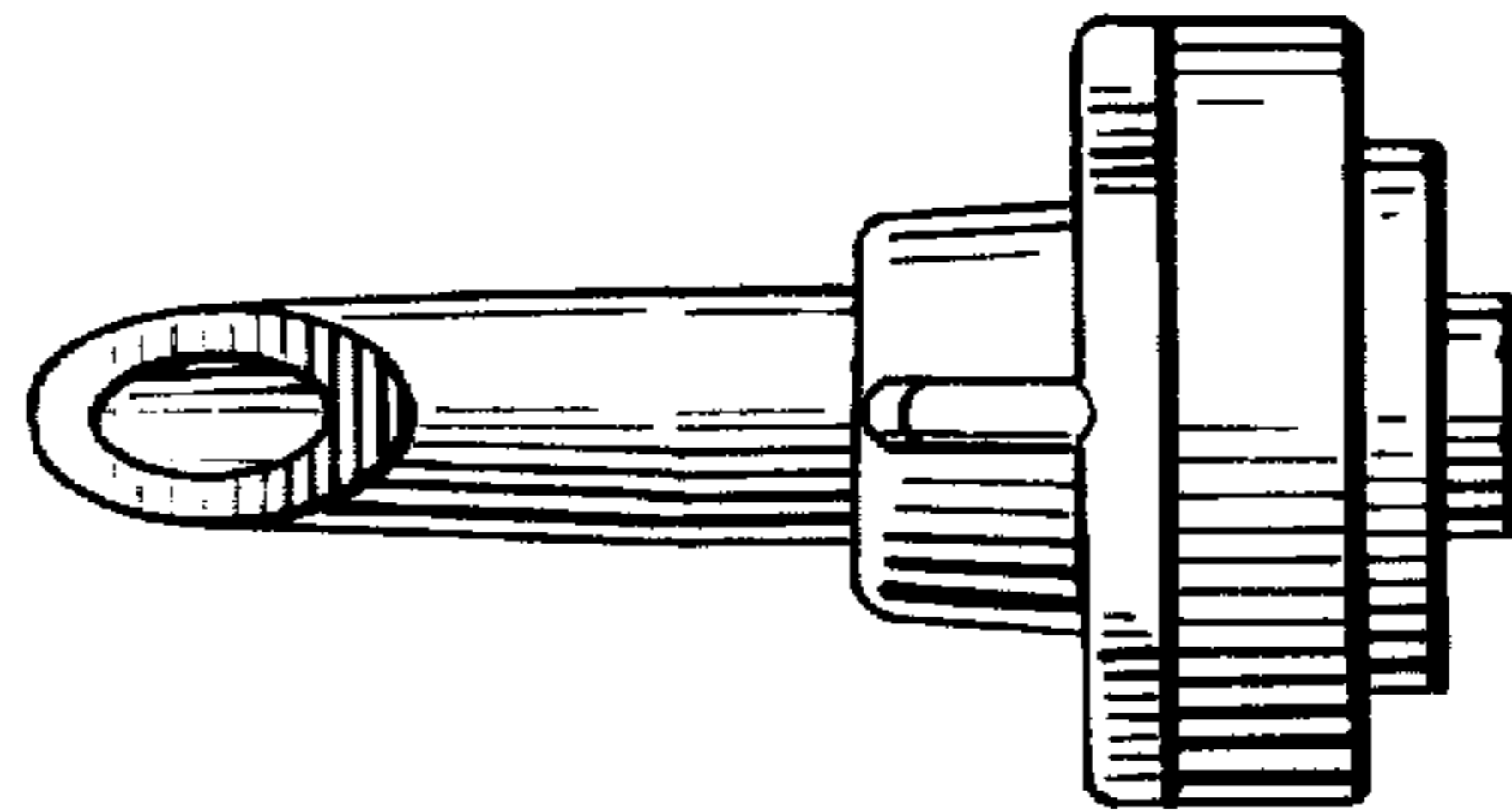


FIG. 3

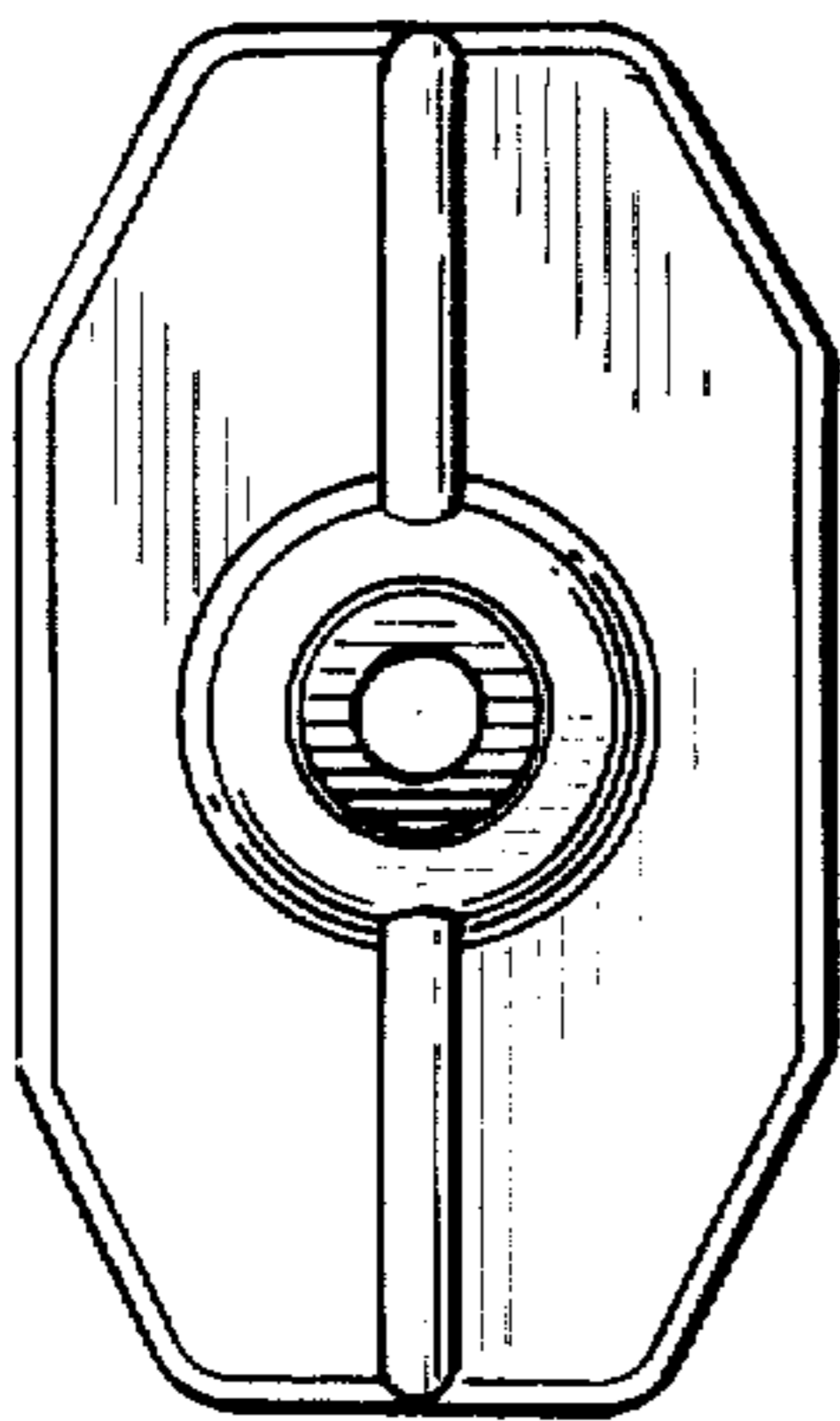


FIG. 4

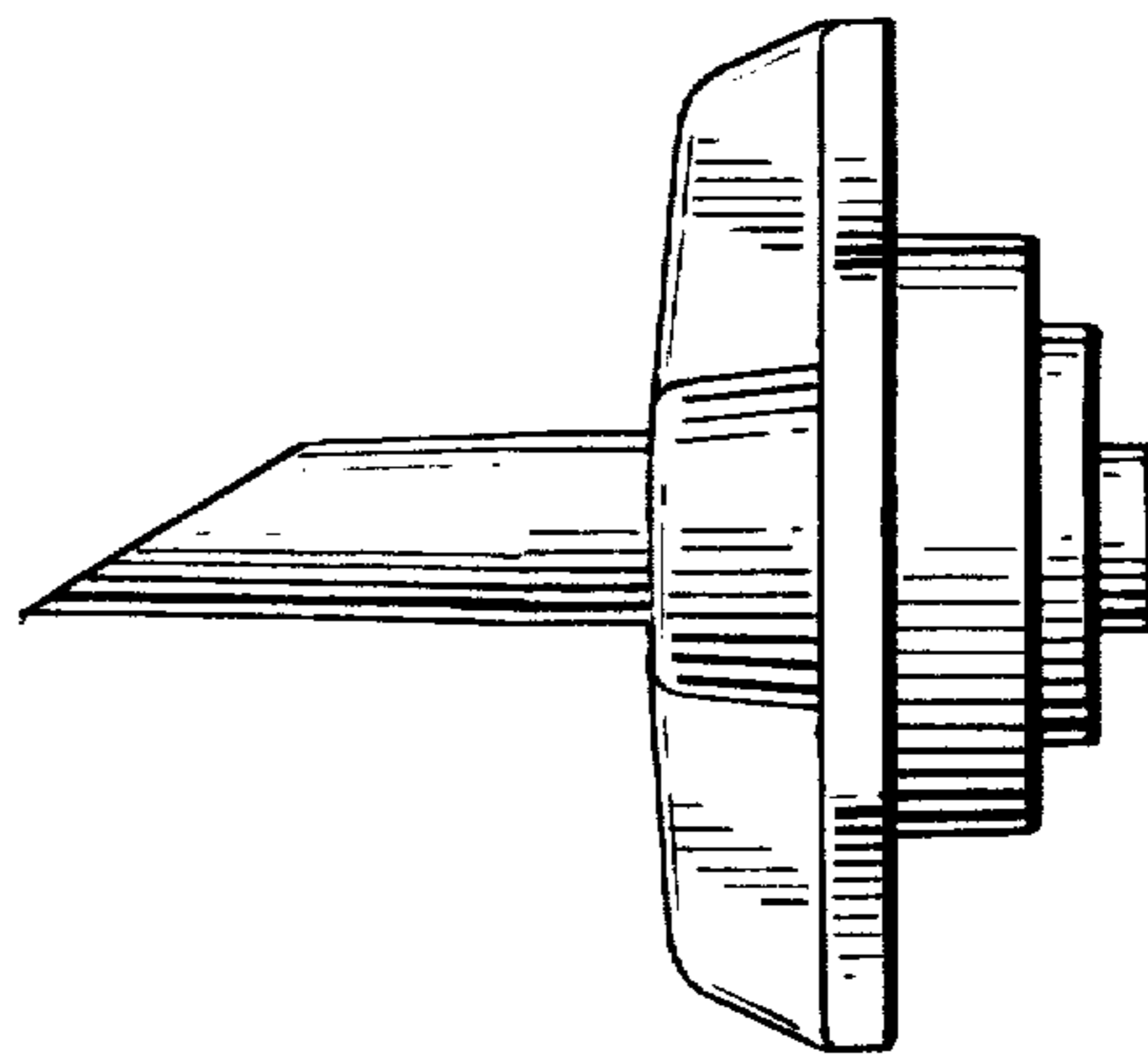


FIG. 5

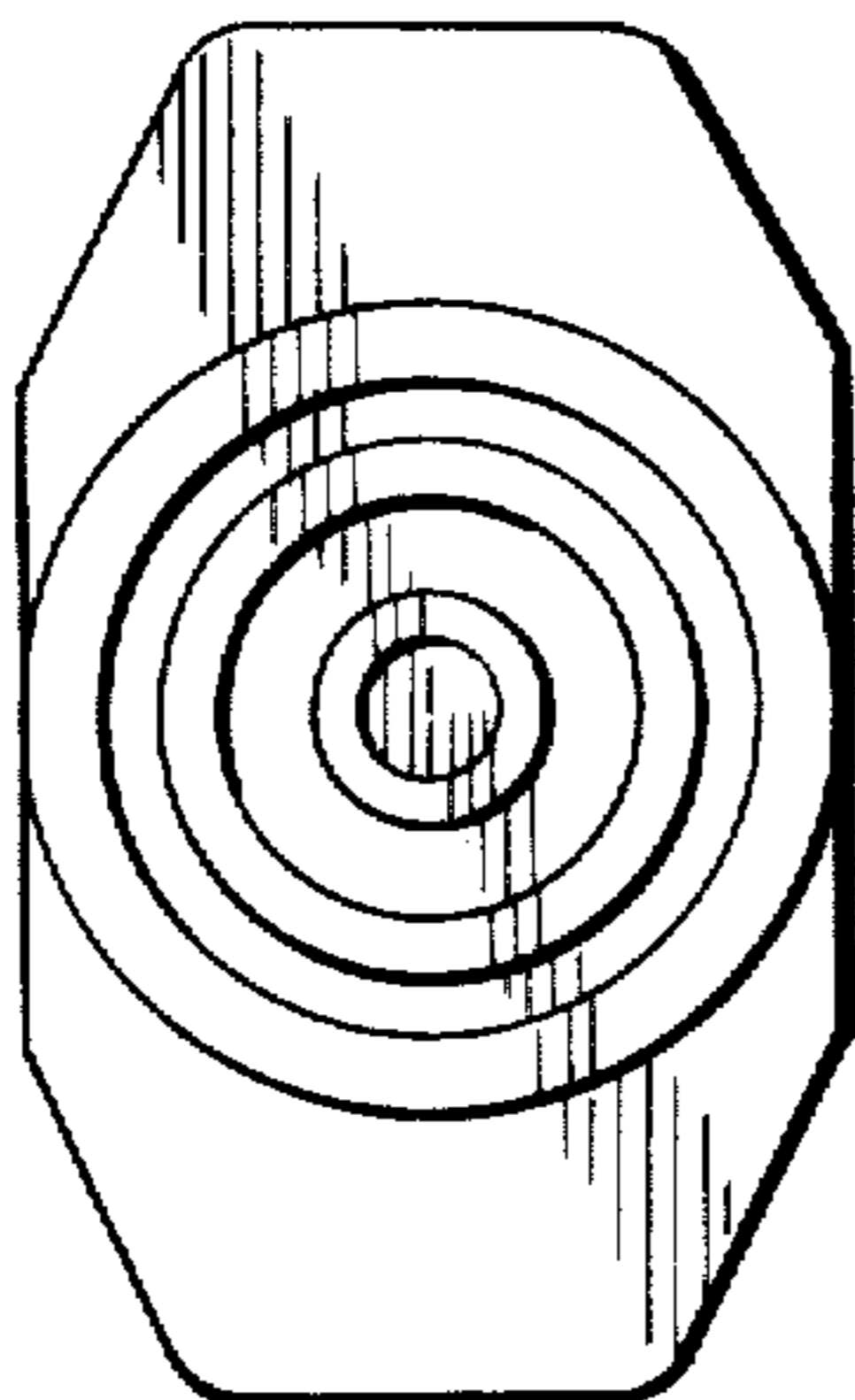


FIG. 6

