

[54] **CAST IRON GRATE FOR SOLID FUEL BURNING STOVES AND THE LIKE**

1,925,840 9/1933 Marx 126/163 R

[75] Inventor: **William H. Johnson, Harrisonburg, Va.**

Primary Examiner—Catherine E. Kemper
Attorney, Agent, or Firm—Mason, Fenwick & Lawrence

[73] Assignee: **Shenandoah Manufacturing Co., Inc., Harrisonburg, Va.**

[57] **CLAIM**

The ornamental design for a cast iron grate for solid fuel burning stoves and the like, as shown and described.

[**] Term: **14 Years**

DESCRIPTION

[21] Appl. No.: **193,913**

FIG. 1 is an exploded front perspective view of a cast iron grate for solid fuel burning stoves, embodying my new design;

[22] Filed: **Oct. 6, 1980**

[51] Int. Cl. **D23-03**

FIG. 2 is a top plan view thereof;

[52] U.S. Cl. **D23/135**

FIG. 3 is a side elevation view thereof, viewed from below FIG. 2, the opposite side elevation being the mirror image thereof;

[58] Field of Search **D23/127, 135; 126/152 R, 163 R, 164, 165**

FIG. 4 is a bottom view thereof;

[56] **References Cited**

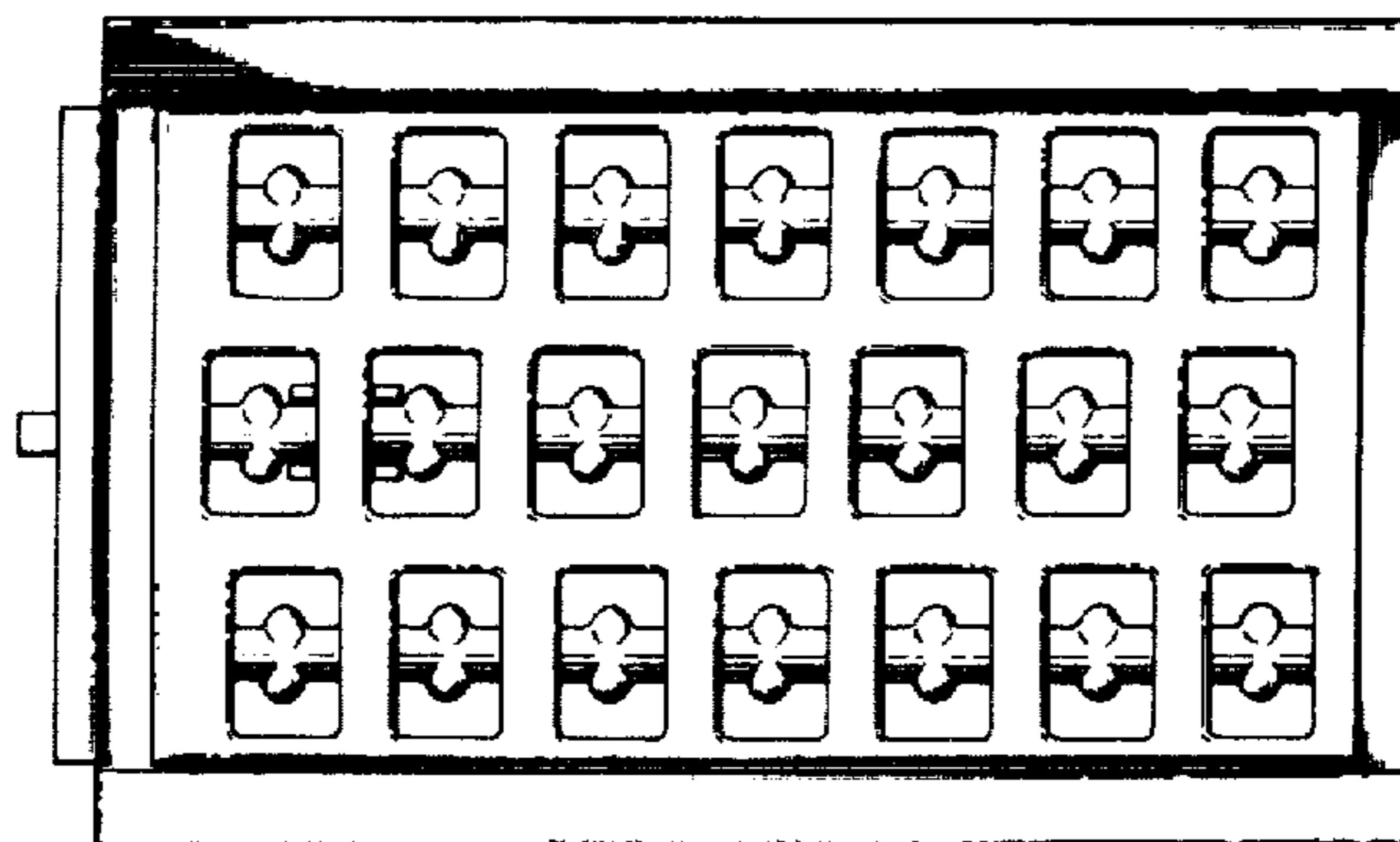
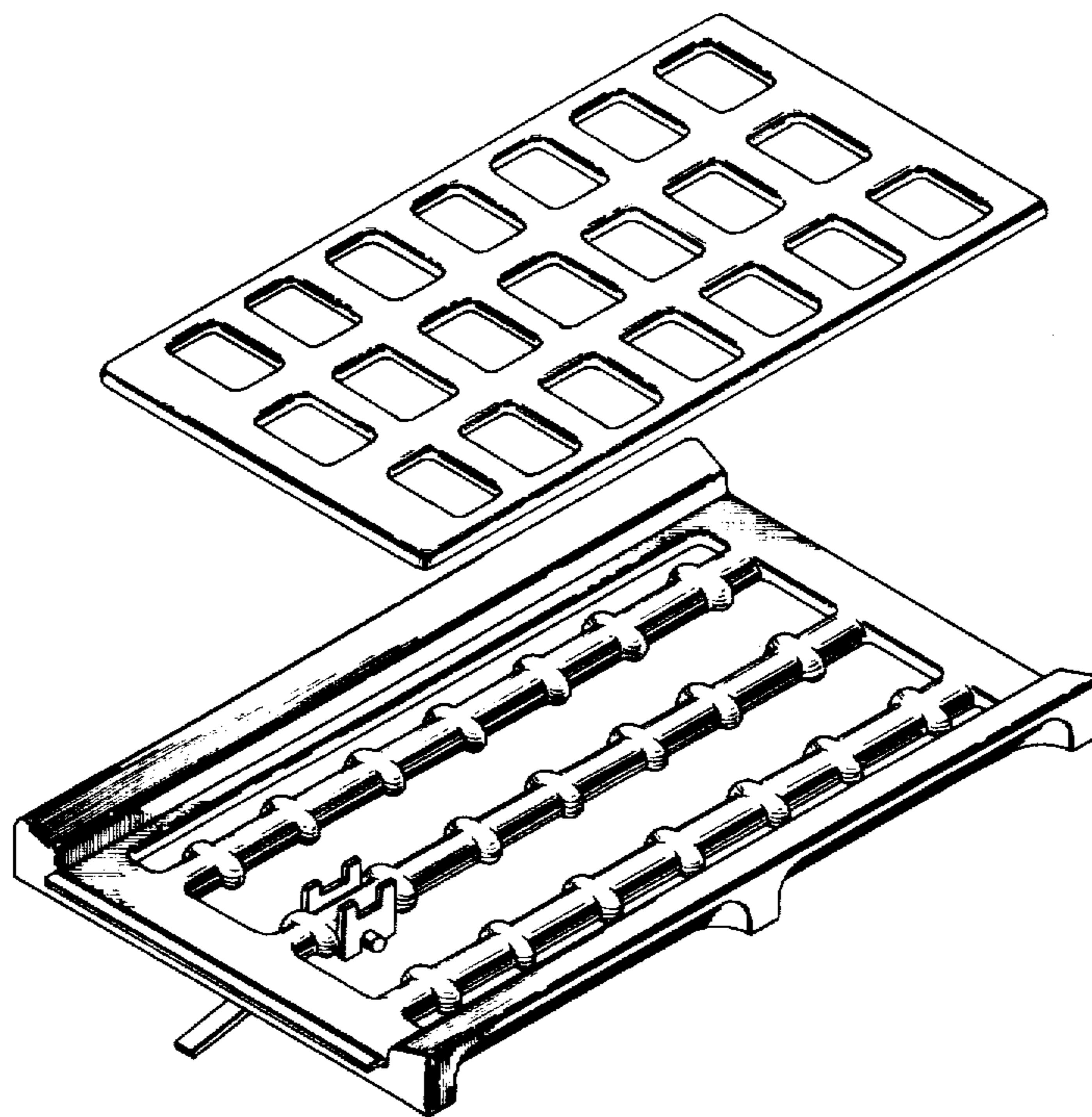
U.S. PATENT DOCUMENTS

198,823	1/1878	Symons	126/152 R
202,323	4/1878	Ashcroft	126/152 R
321,585	7/1885	Decrow	126/152 R
1,742,908	1/1930	Gibson	126/152 R

FIG. 5 is an end elevation thereof, viewed from the left of FIG. 3;

FIG. 6, is another end elevation thereof, viewed from the right of FIG. 3; and

FIG. 7 is a longitudinal vertical section view thereof, taken along the line 7-7 of FIG. 4.



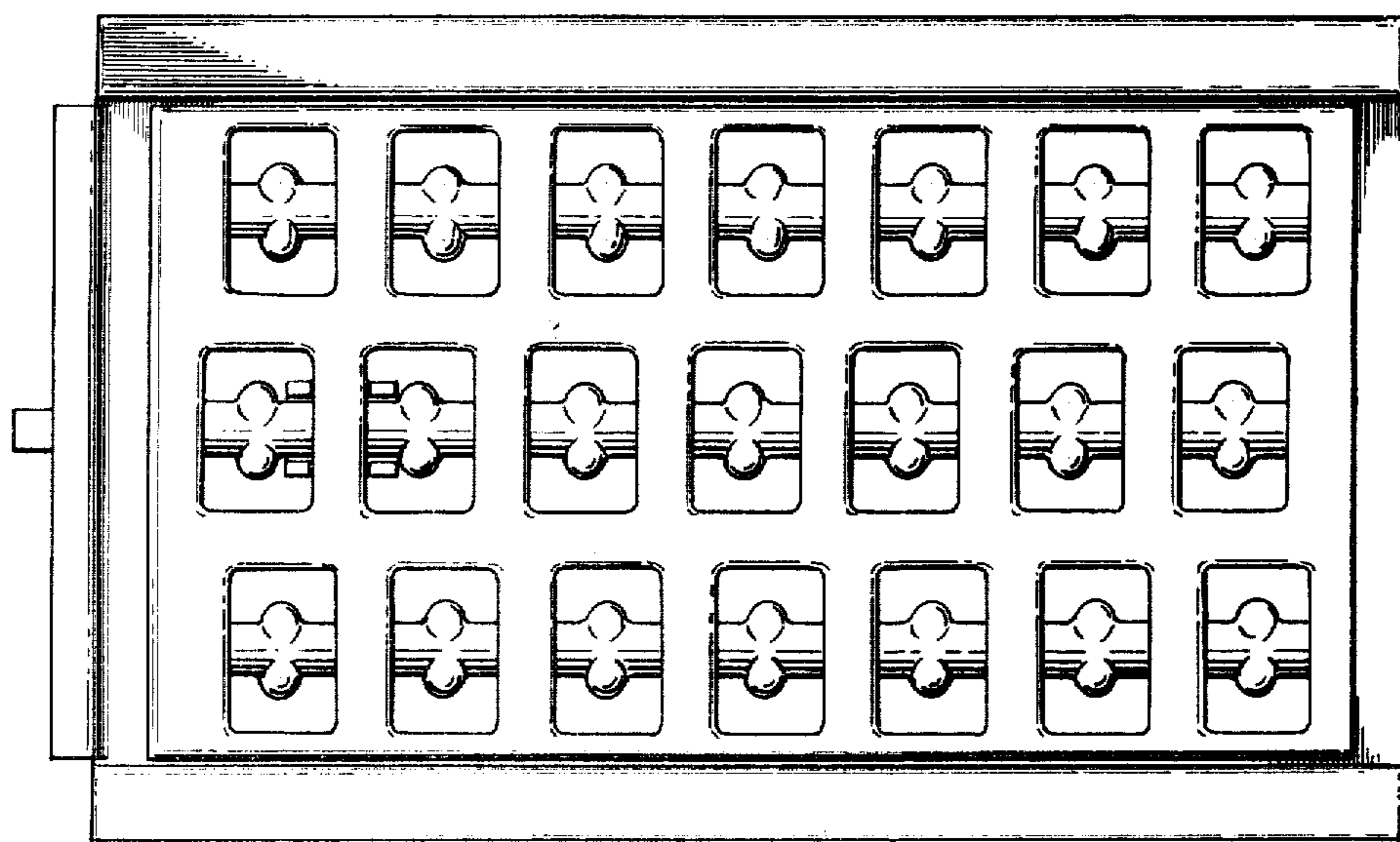
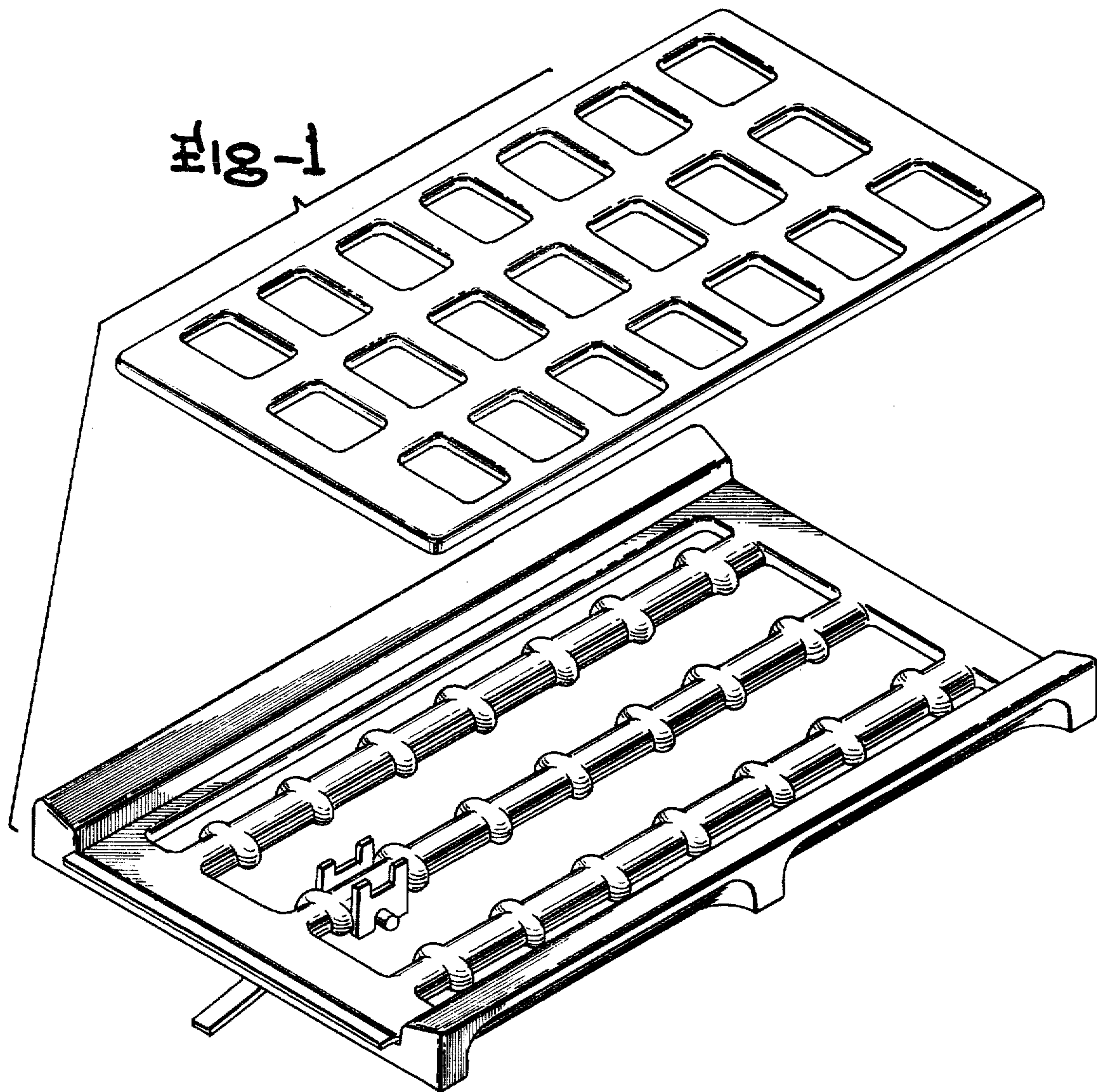


Fig-3

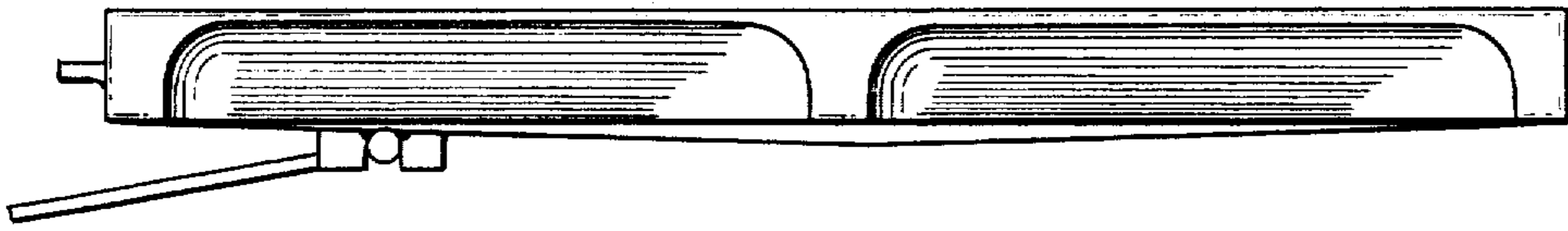


Fig-4

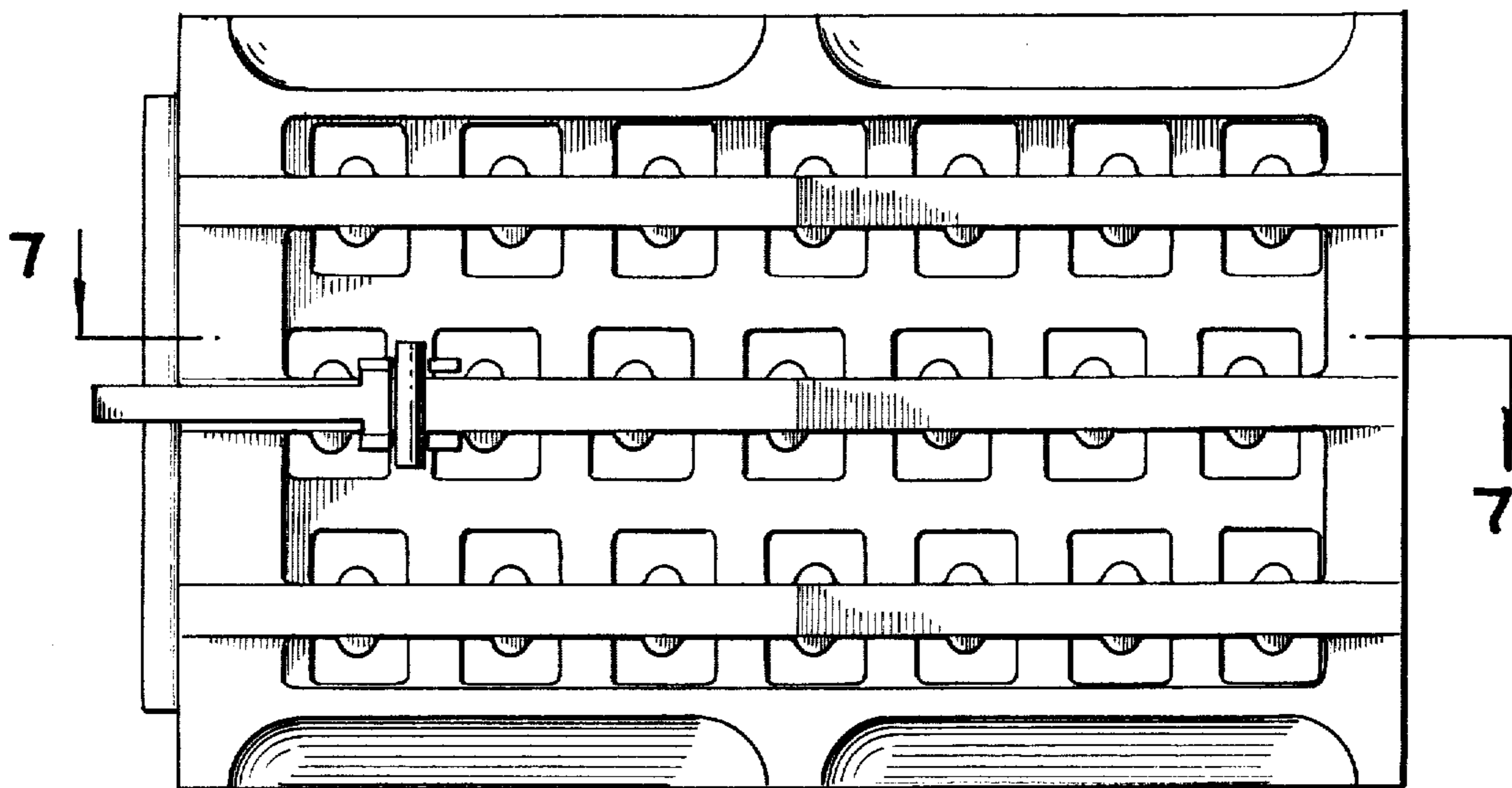


Fig-5

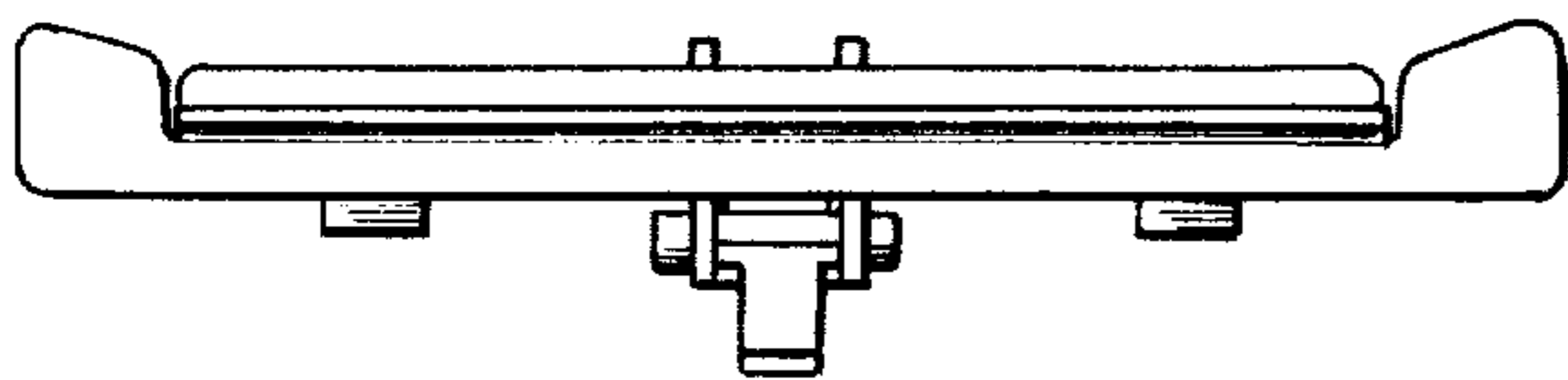


Fig-6

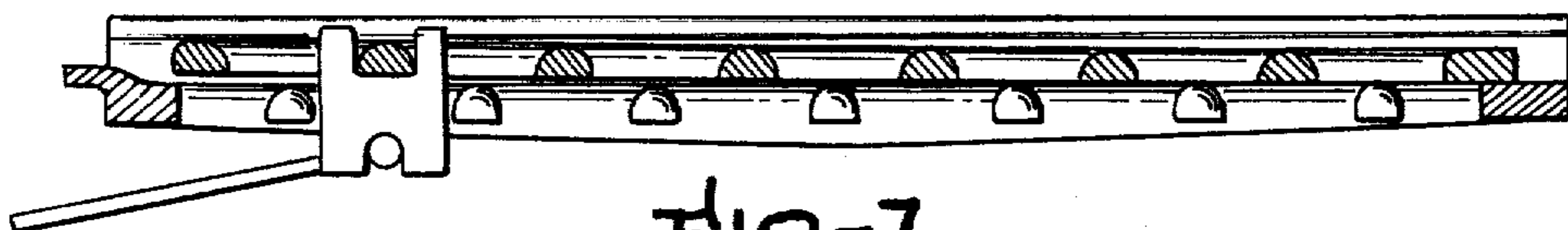
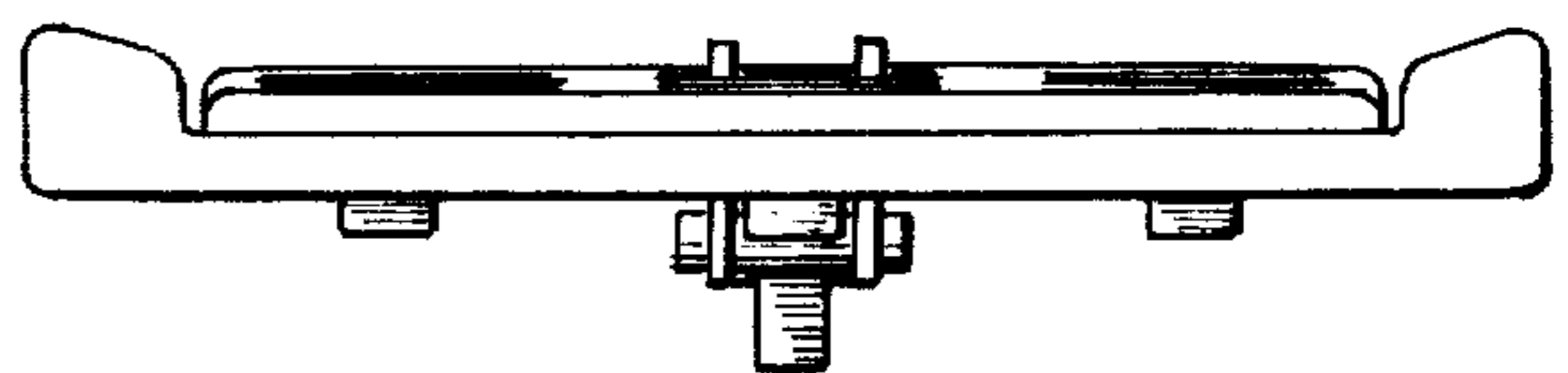


Fig-7