

[54] **FIREPLACE INSERT WITH OVEN**

[76] **Inventor:** John H. Councill, Jr., 200 Councill St., Boone, N.C. 28607

[\*\*] **Term:** 14 Years

[21] **Appl. No.:** 232,203

[22] **Filed:** Feb. 6, 1981

[51] **Int. Cl.** ..... D23-03

[52] **U.S. Cl.** ..... D23/93

[58] **Field of Search** ..... D23/72, 92-97; 126/4, 6, 58, 60-66, 120, 121, 126

[56] **References Cited**

**U.S. PATENT DOCUMENTS**

D. 251,438	3/1979	Dowdall	.....	D23/93
D. 252,101	6/1979	Orlando	.....	D23/97
D. 260,283	8/1981	Cagle	.....	D23/97
1,470,542	10/1923	Poling	.	
2,143,772	1/1939	Hannula	.....	126/121
2,642,859	6/1953	Brown	.....	126/121
3,987,778	10/1976	Brik	.....	126/121
4,015,581	5/1977	Martenson	.....	126/121

4,026,264	5/1977	Henriques	.....	126/123
4,092,976	6/1978	Buckner	.....	126/63
4,159,016	6/1979	Johnson	.....	126/120
4,178,908	12/1979	Trexler, Sr.	.....	126/121
4,182,302	1/1980	Bruce et al.	.....	126/4
4,187,830	2/1980	Creasey	.....	126/121
4,207,862	6/1980	Mayer	.....	126/137
4,231,349	4/1980	Livesay	.....	126/121

**FOREIGN PATENT DOCUMENTS**

1057610	7/1979	Canada	.....	126/94
213015	3/1924	United Kingdom	.	

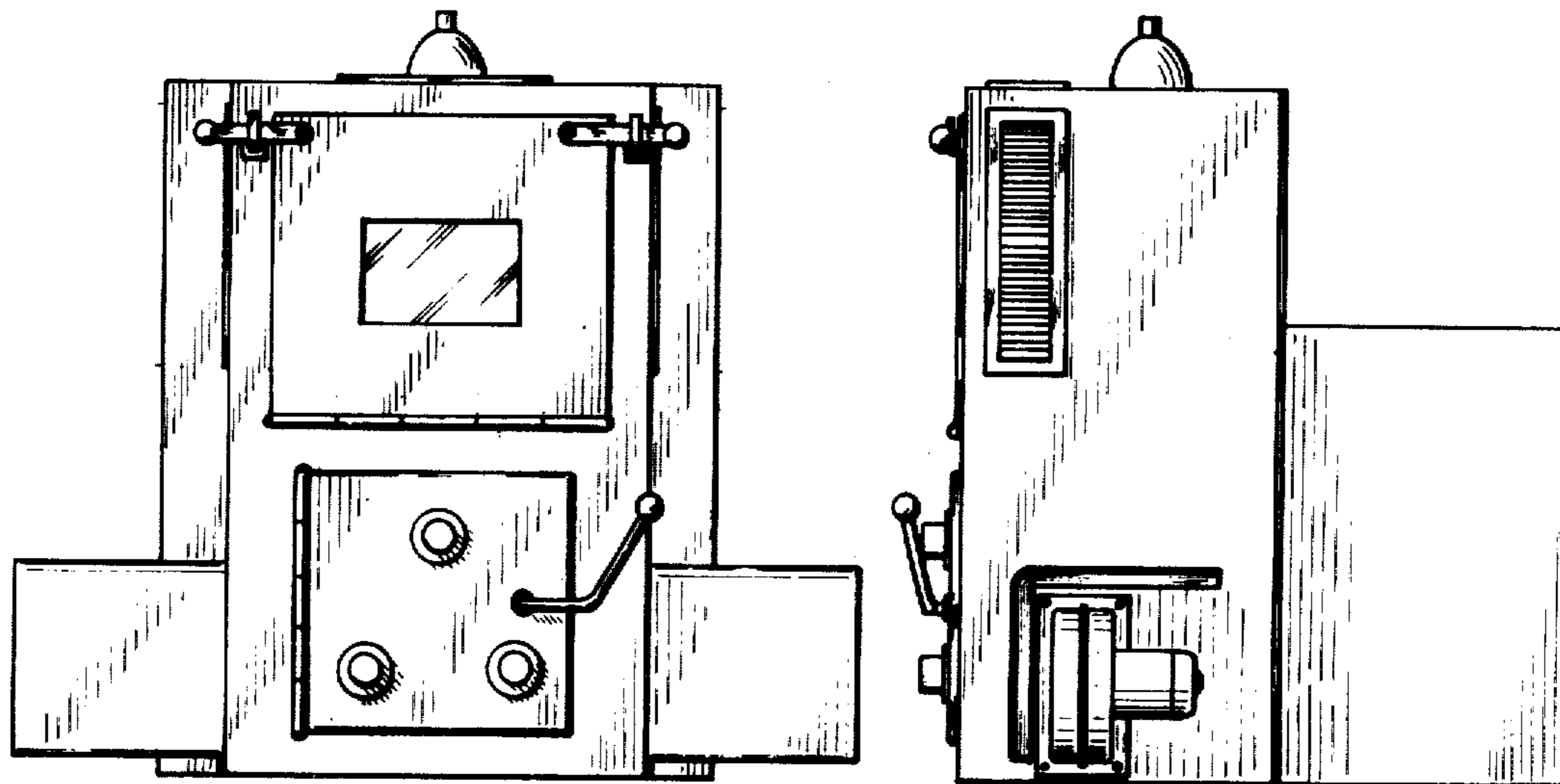
*Primary Examiner*—Catherine E. Kemper

[57] **CLAIM**

The ornamental design for a fireplace insert with oven, as shown and described.

**DESCRIPTION**

FIG. 1 is a front elevational view of a fireplace insert with oven, showing my new design;  
 FIG. 2 is a rear elevational view thereof;  
 FIG. 3 is a top plan view thereof;  
 FIG. 4 is a left side elevational view thereof;  
 FIG. 5 is a right side elevational view thereof.



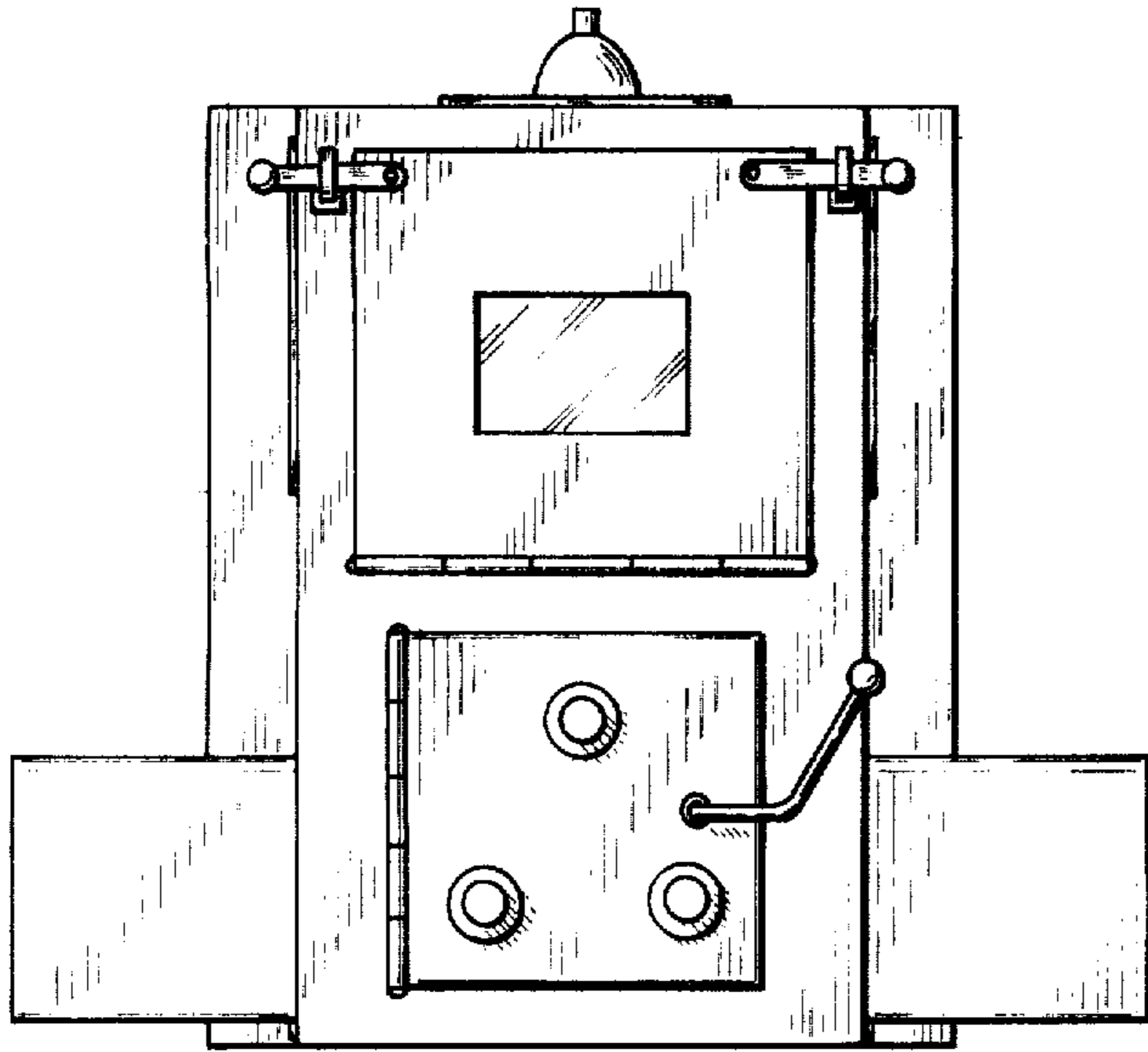


FIG. 1

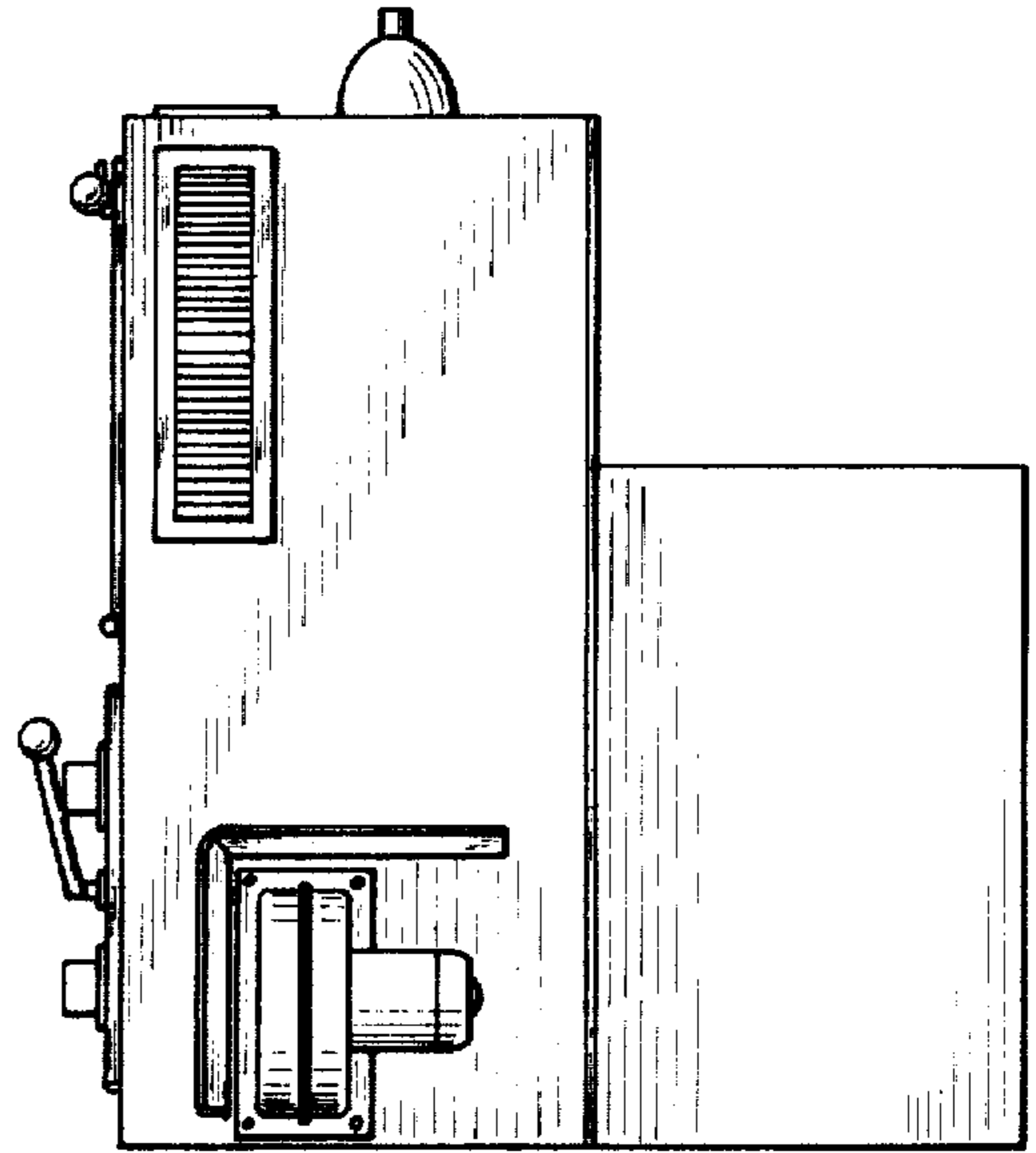


FIG. 4

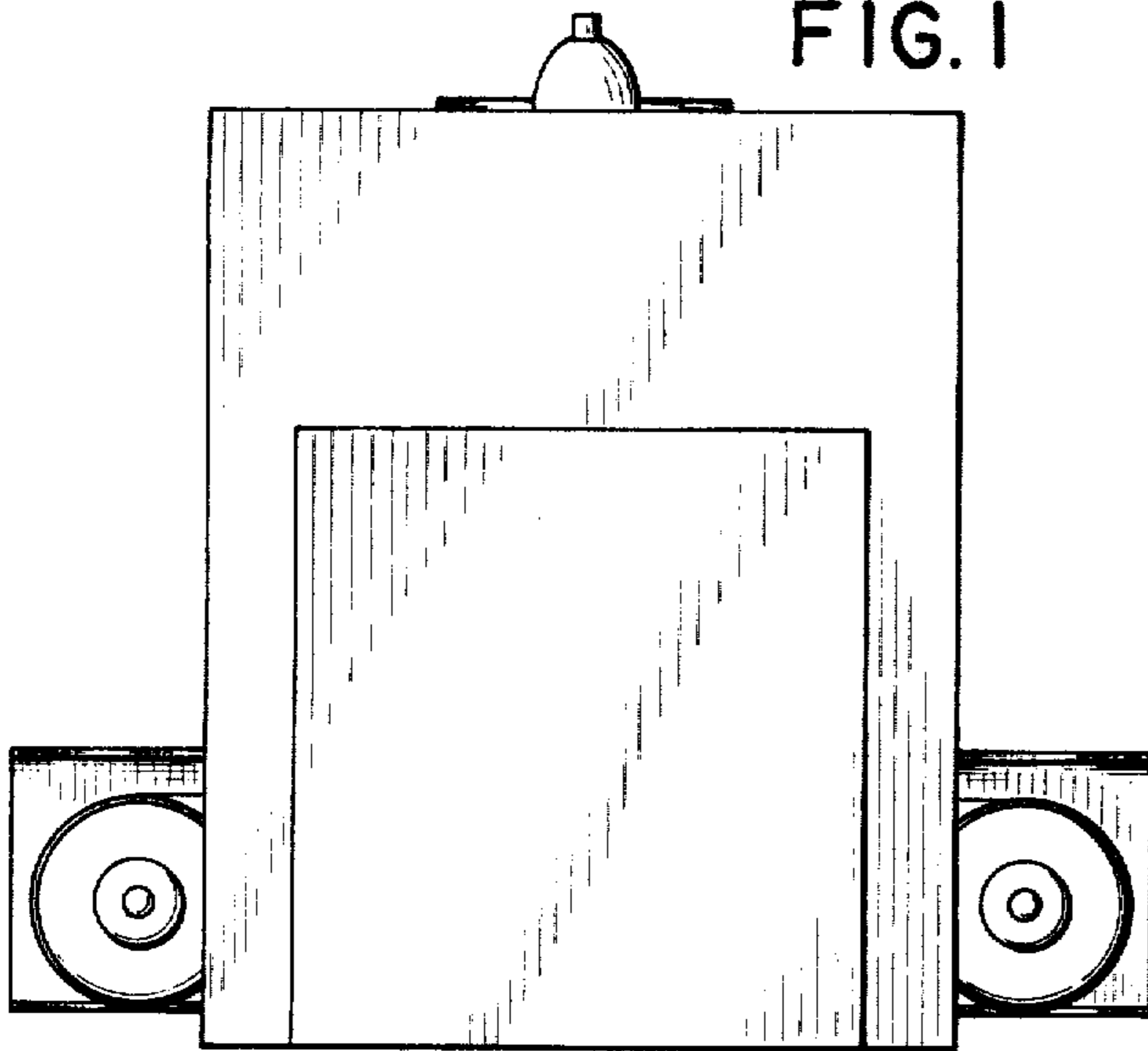


FIG. 2

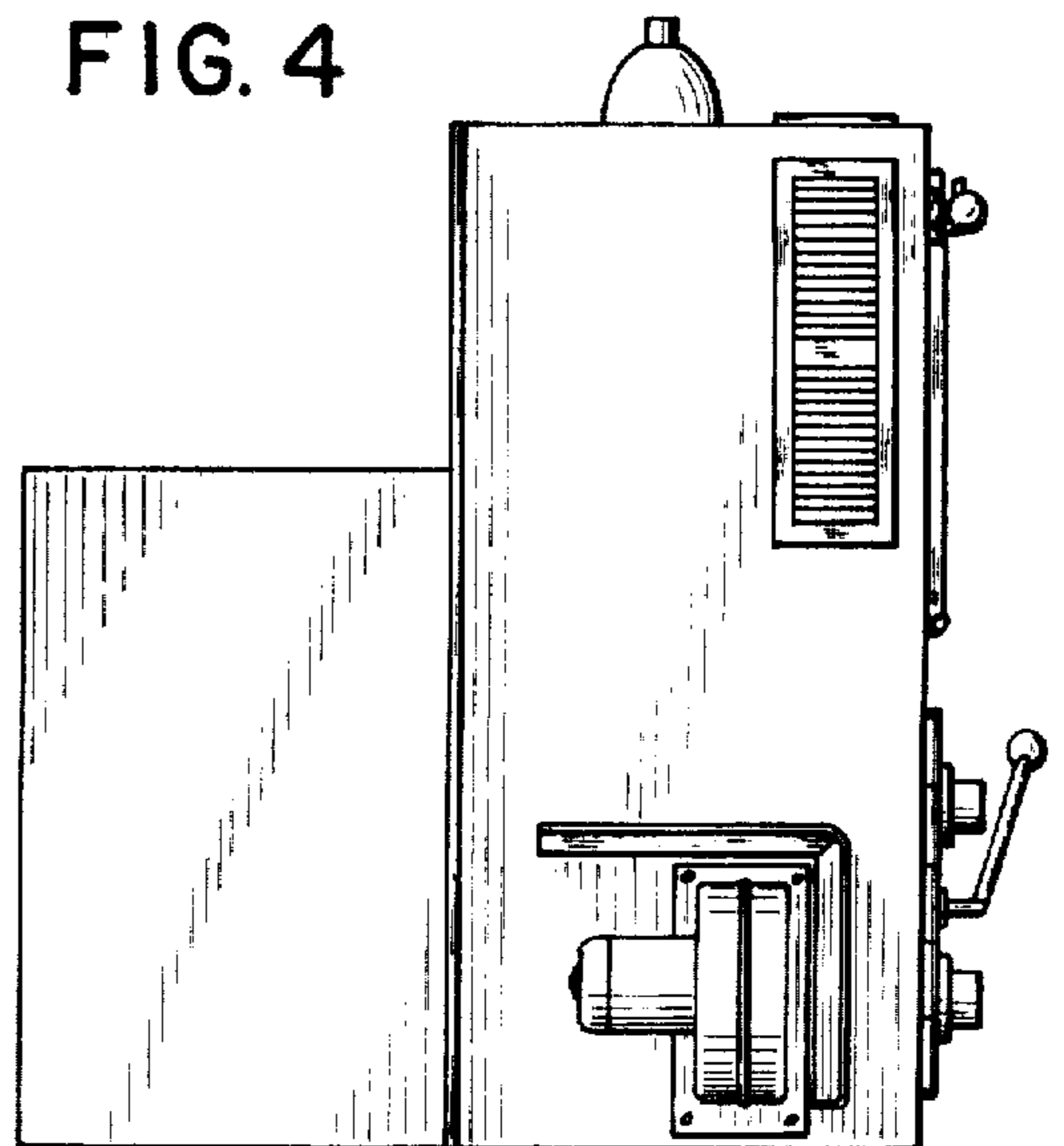


FIG. 5

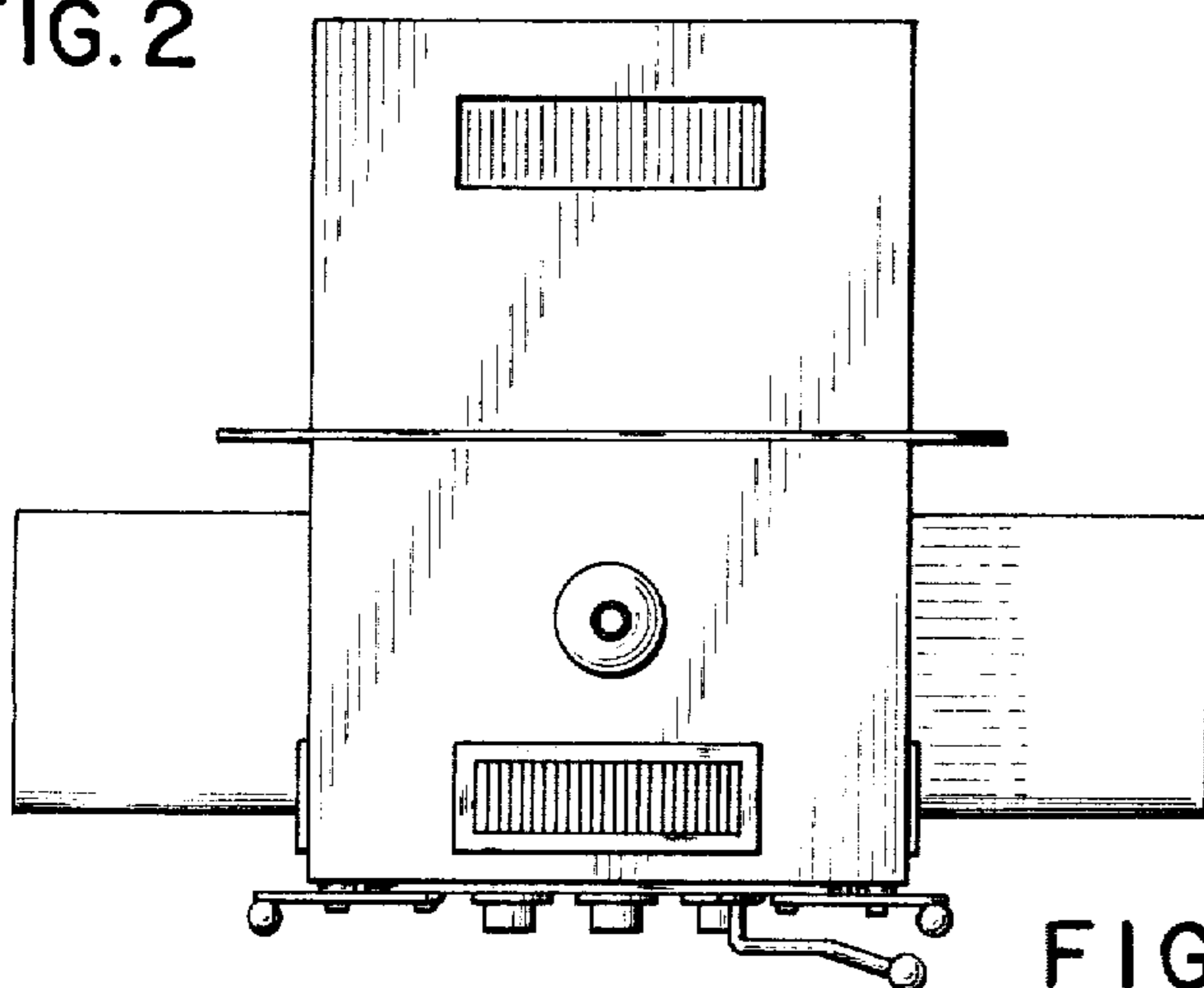


FIG. 3