

[54] TOY CAROUSEL

[75] Inventor: Larry R. Nagode, East Aurora, N.Y.

[73] Assignee: The Quaker Oats Company, Chicago, Ill.

[**] Term: 14 Years

[21] Appl. No.: 213,937

[22] Filed: Dec. 8, 1980

[51] Int. Cl. D21-01

[52] U.S. Cl. D21/124; D21/64; D21/249

[58] Field of Search D21/108, 124, 64, 249; 46/175 R, 39, 47, 137, 174, 175 AR, 116, 267

[56] References Cited

U.S. PATENT DOCUMENTS

D. 92,046	4/1934	Steiner	D21/249
D. 234,788	4/1975	Spengler	D21/249
1,188,627	6/1916	Craw	D21/150

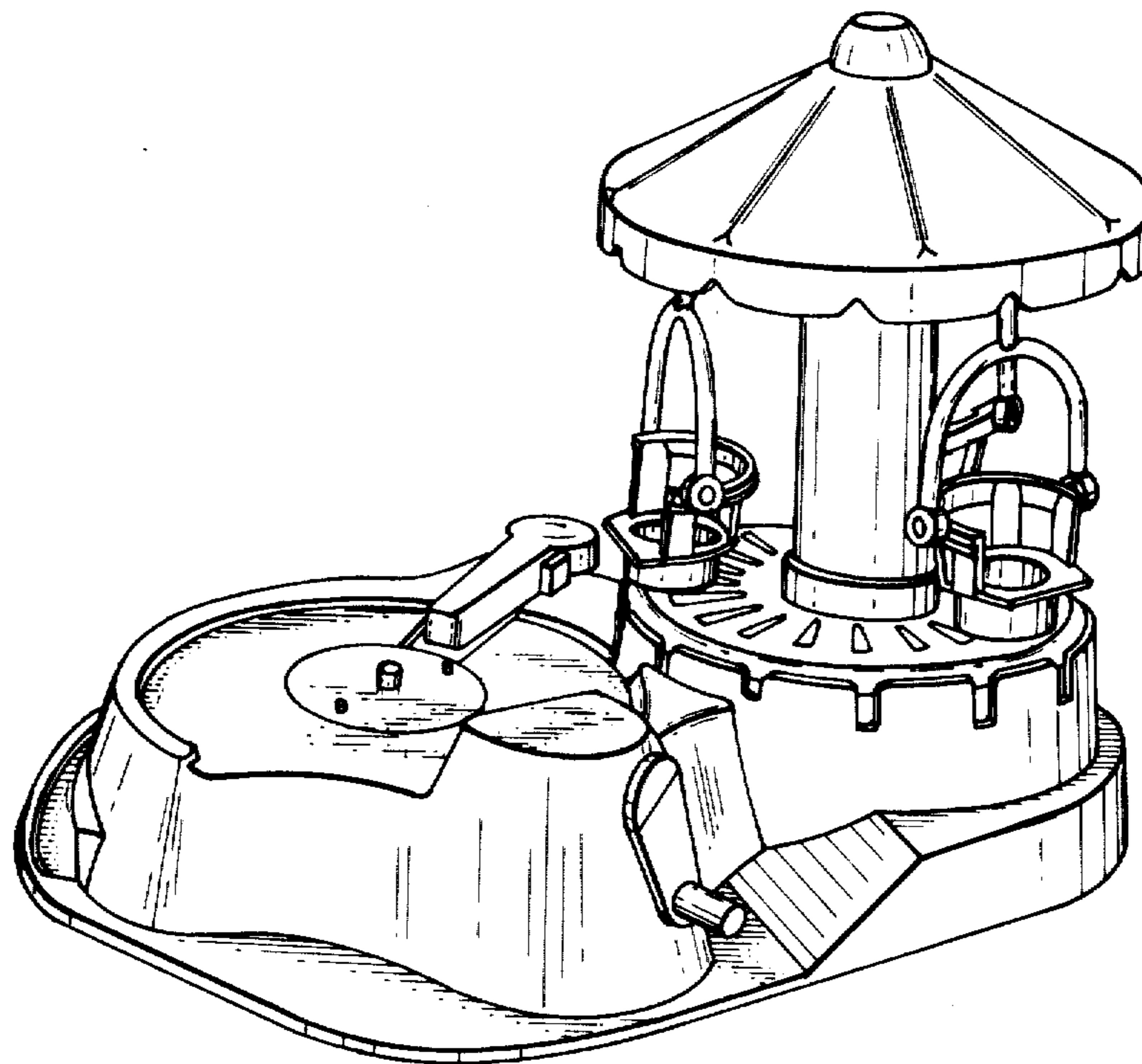
Primary Examiner—Charles A. Rademaker
Attorney, Agent, or Firm—Cumpston & Shaw

[57] CLAIM

The ornamental design for a toy carousel, substantially as shown.

DESCRIPTION

FIG. 1 is a front perspective view of a toy carousel showing my new design; FIG. 2 is a right-side elevational view thereof; FIG. 3 is a rear elevational view thereof; and FIG. 4 is a bottom plan view thereof.



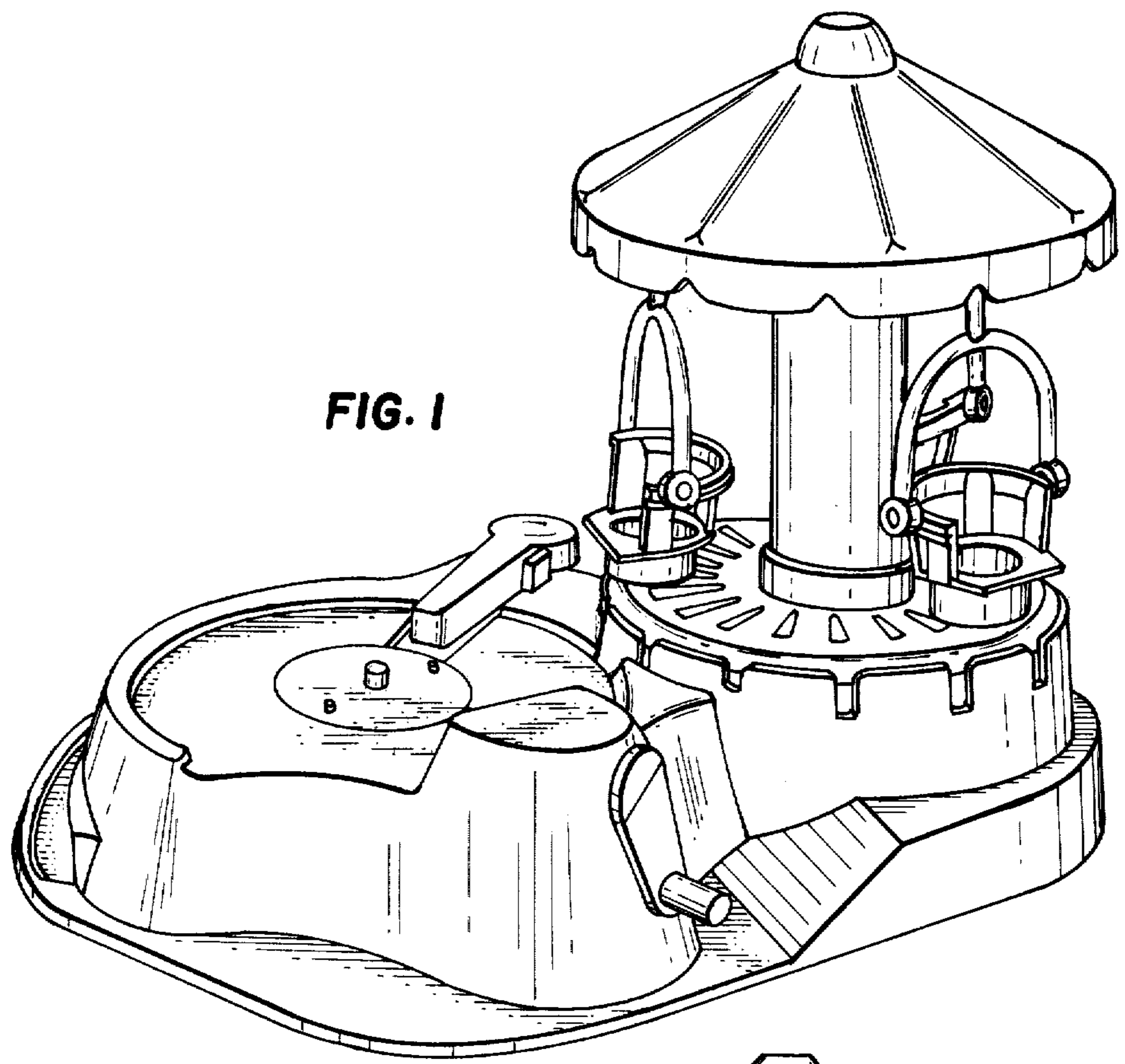


FIG. 1

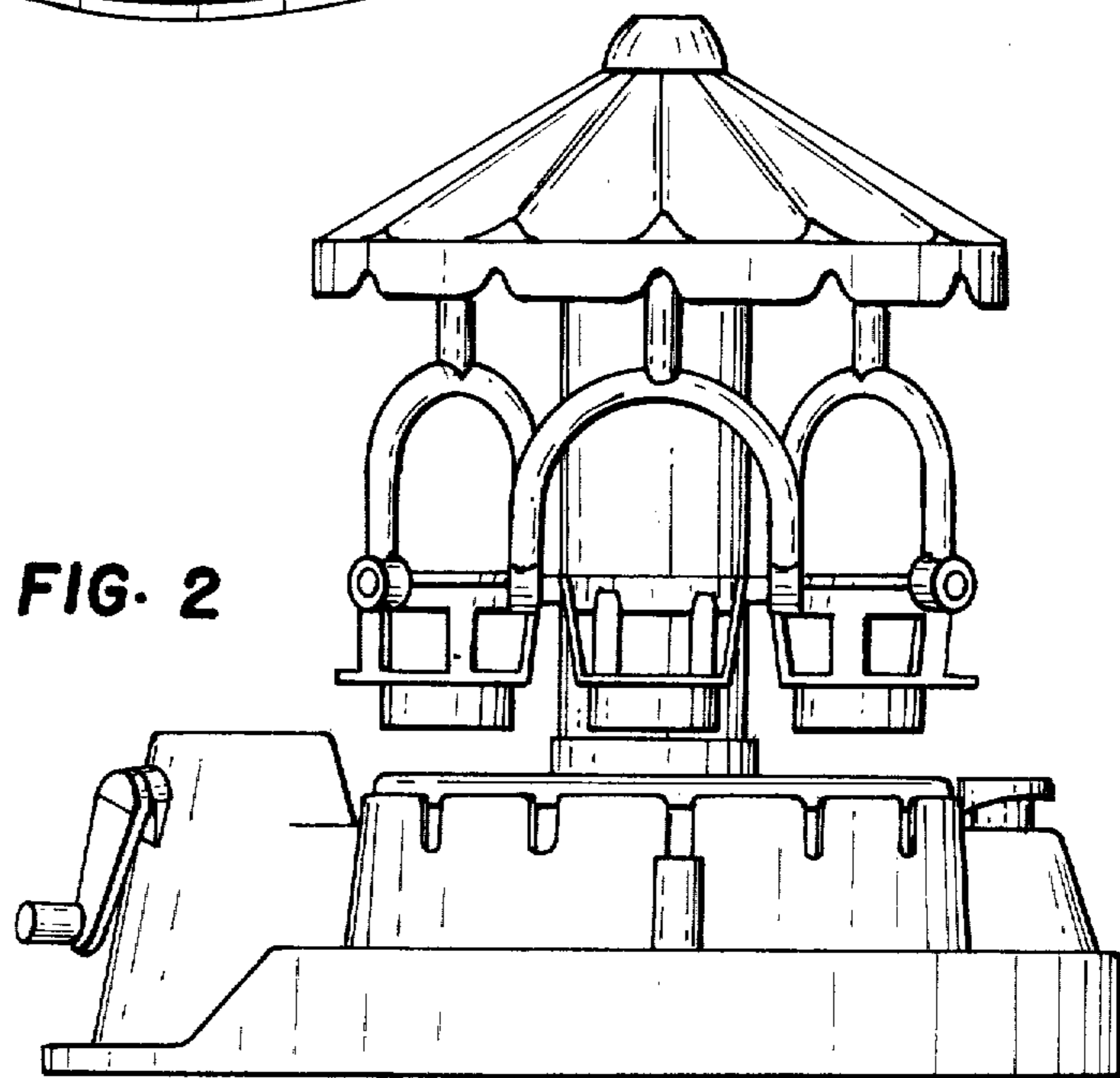


FIG. 2

