

[54] **CONTROL KNOB FOR OFFICE MACHINES**

[75] **Inventor:** John E. Jolliffe, Manlius, N.Y.

[73] **Assignee:** SCM Corporation, New York, N.Y.

[\*\*] **Term:** 14 Years

[21] **Appl. No.:** 202,835

[22] **Filed:** Oct. 31, 1980

[51] **Int. Cl.** ..... D18-99  
[52] **U.S. Cl.** ..... D18/12; D18/22  
[58] **Field of Search** ..... D18/1, 2, 12, 22;  
D14/100, 114; 400/690.4-693; 74/553

[56]

**References Cited**

**U.S. PATENT DOCUMENTS**

3,520,211 7/1970 Mowery ..... 74/553 X

**FOREIGN PATENT DOCUMENTS**

677138 8/1979 U.S.S.R. .... 74/553

*Primary Examiner*—Louis S. Zarfes

*Attorney, Agent, or Firm*—William E. Mear, III; Ernest F. Weinberger

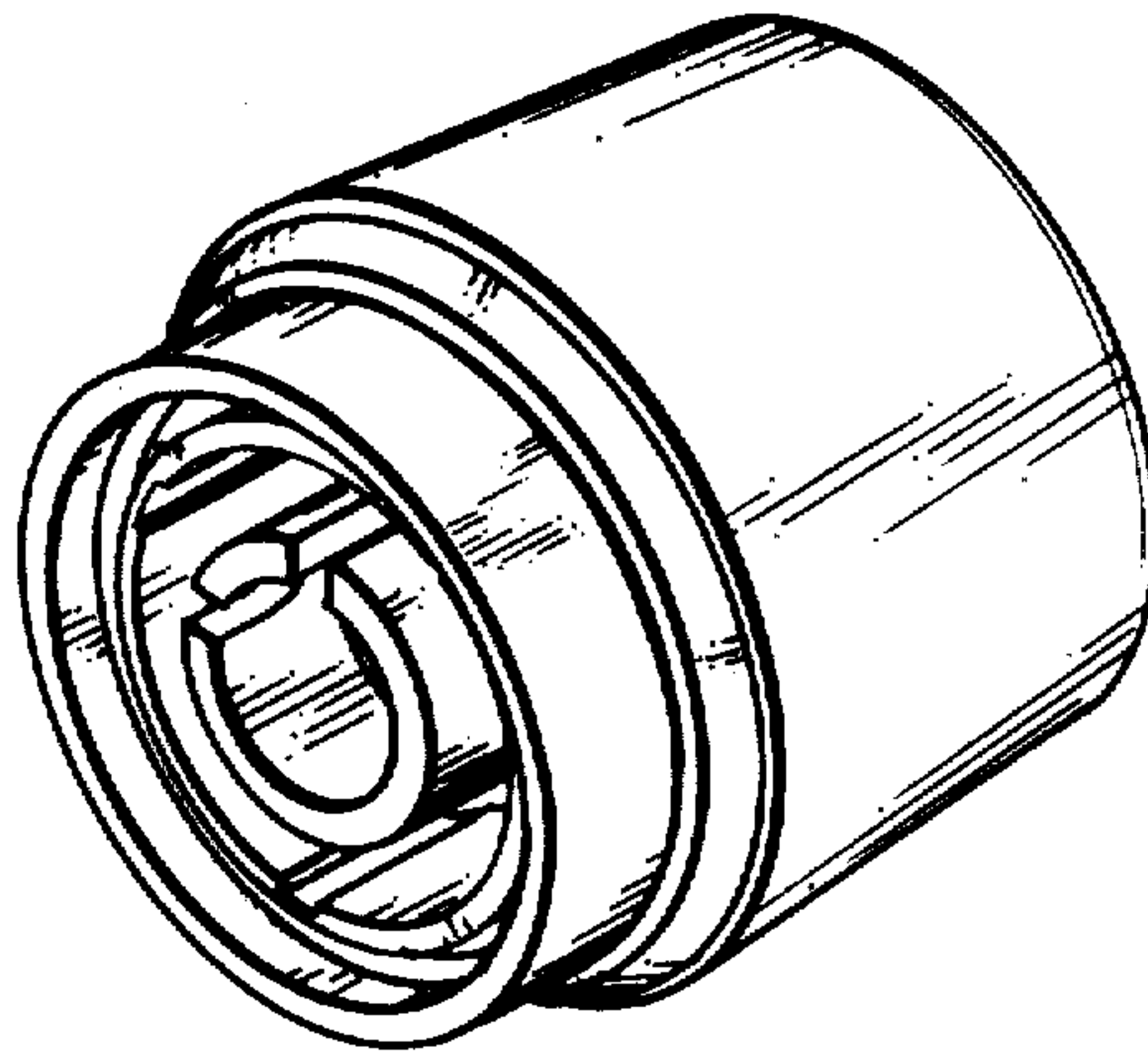
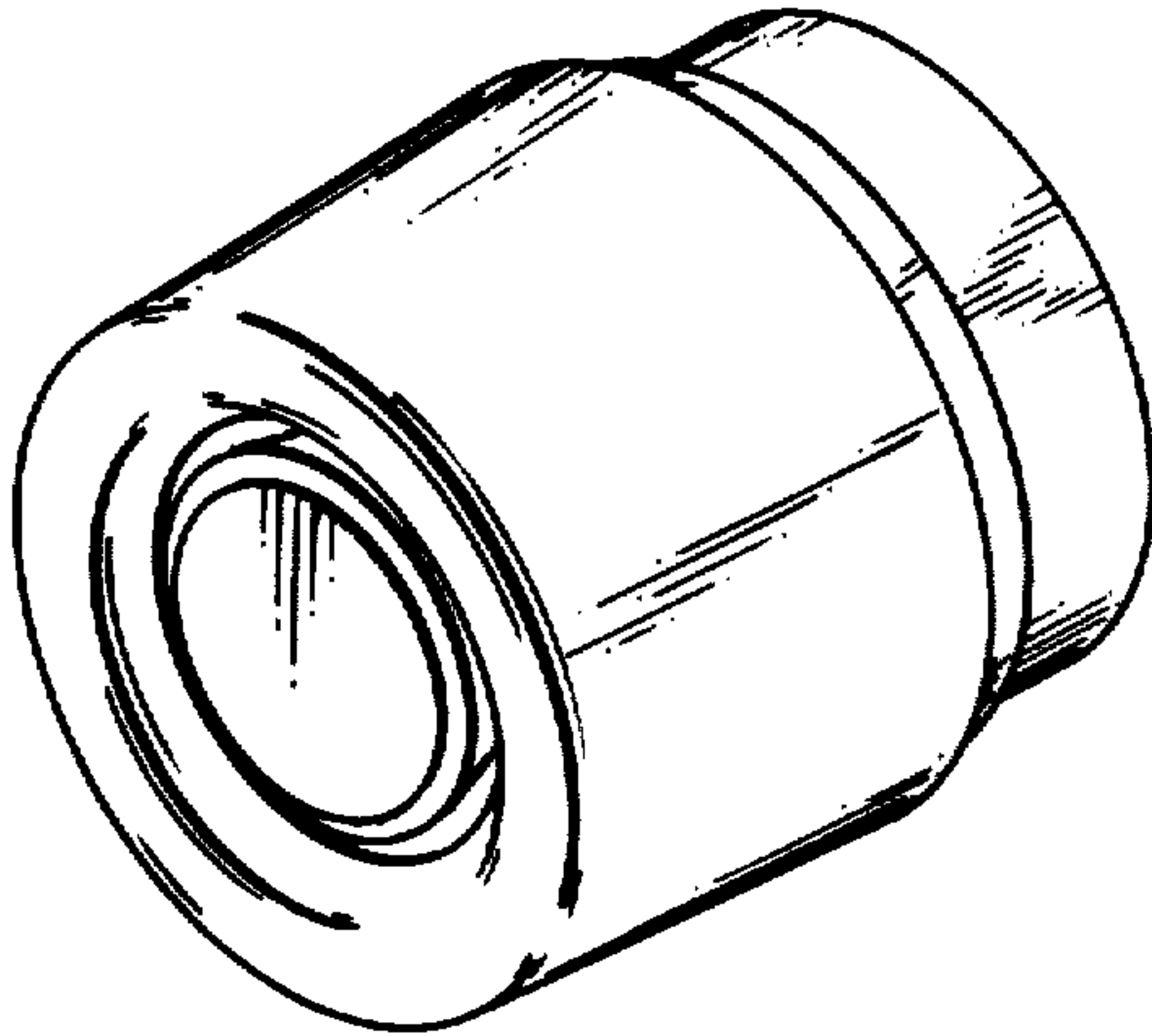
[57]

**CLAIM**

The ornamental design for a control knob for office machines, as shown.

**DESCRIPTION**

FIG. 1 is a front perspective view of a control knob for office machines showing my new design; and FIG. 2 is a rear perspective view thereof.



U.S. Patent

Dec. 14, 1982

Des. 267,254

