

[54] CAMERA FLASH ATTACHMENT

[75] Inventor: Peter T. Quinn, Littleton, Colo.

[73] Assignee: Rollei of America, Inc., Littleton, Colo.

[**] Term: 14 Years

[21] Appl. No.: 141,143

[22] Filed: Apr. 17, 1980

[51] Int. Cl. D16-05
[52] U.S. Cl. D16/42
[58] Field of Search D16/42, 47; 354/126, 354/141, 145, 293; 362/3-18, 382; 248/200, 274, 300, 309, 310

[56]

References Cited

U.S. PATENT DOCUMENTS

D. 241,273	8/1976	Okuno	D16/42
D. 250,475	12/1978	Kando	D16/42
D. 250,766	1/1979	Ozawa	D 16/42
3,882,514	5/1975	Graham	362/4 X
4,066,885	1/1978	Weinberg	362/18
4,238,150	12/1980	Quinn	354/145

Primary Examiner—Nelson C. Holtje
Attorney, Agent, or Firm—Allegretti, Newitt, Witcoff & McAndrews

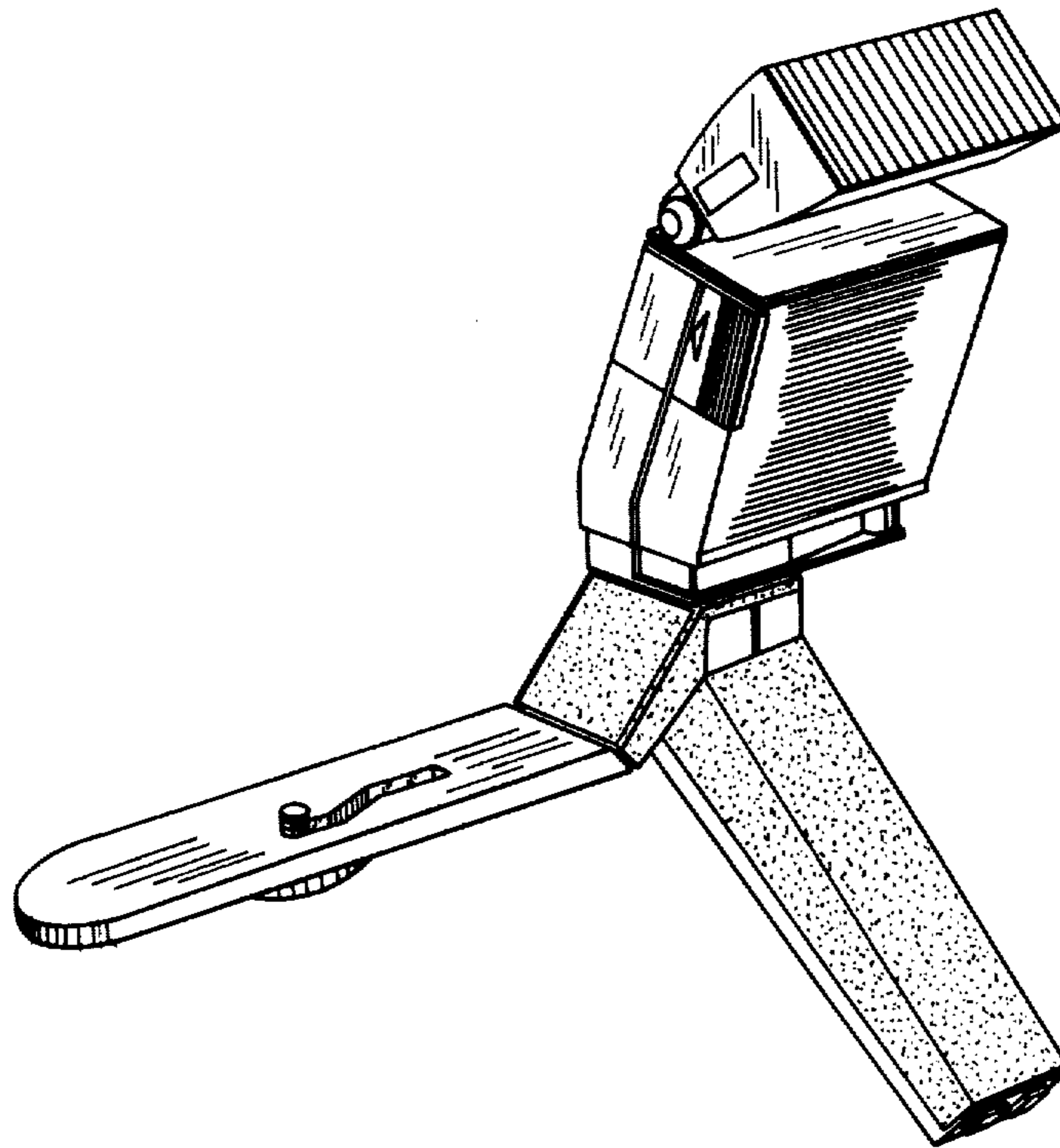
[57]

CLAIM

The ornamental design for a camera flash attachment, as shown and described.

DESCRIPTION

FIG. 1 is a top and left front perspective view of a camera flash attachment showing my new design;
FIG. 2 is a front elevational view thereof;
FIG. 3 is a right side elevational view thereof;
FIG. 4 is a rear elevational view thereof.



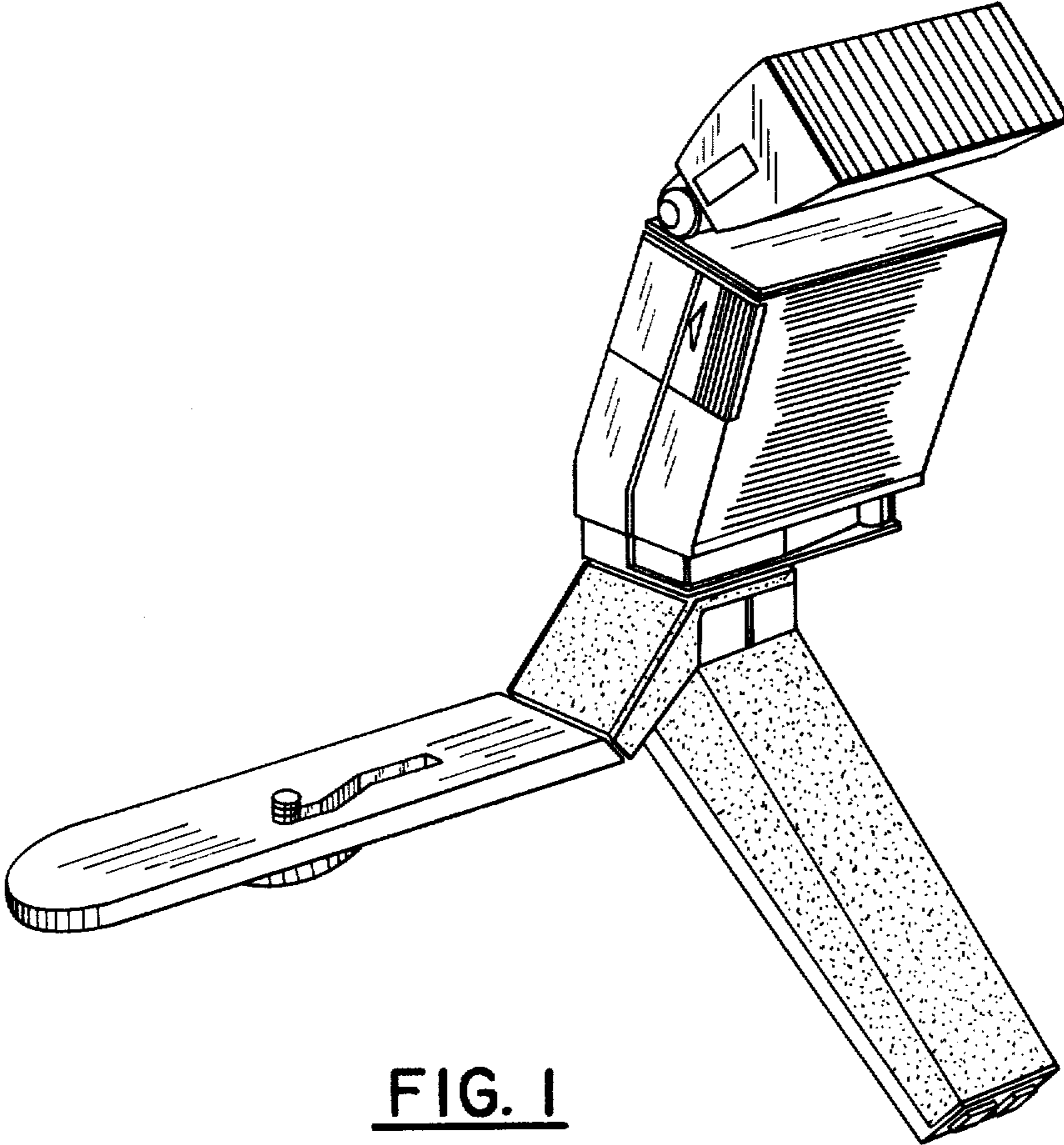


FIG. 1

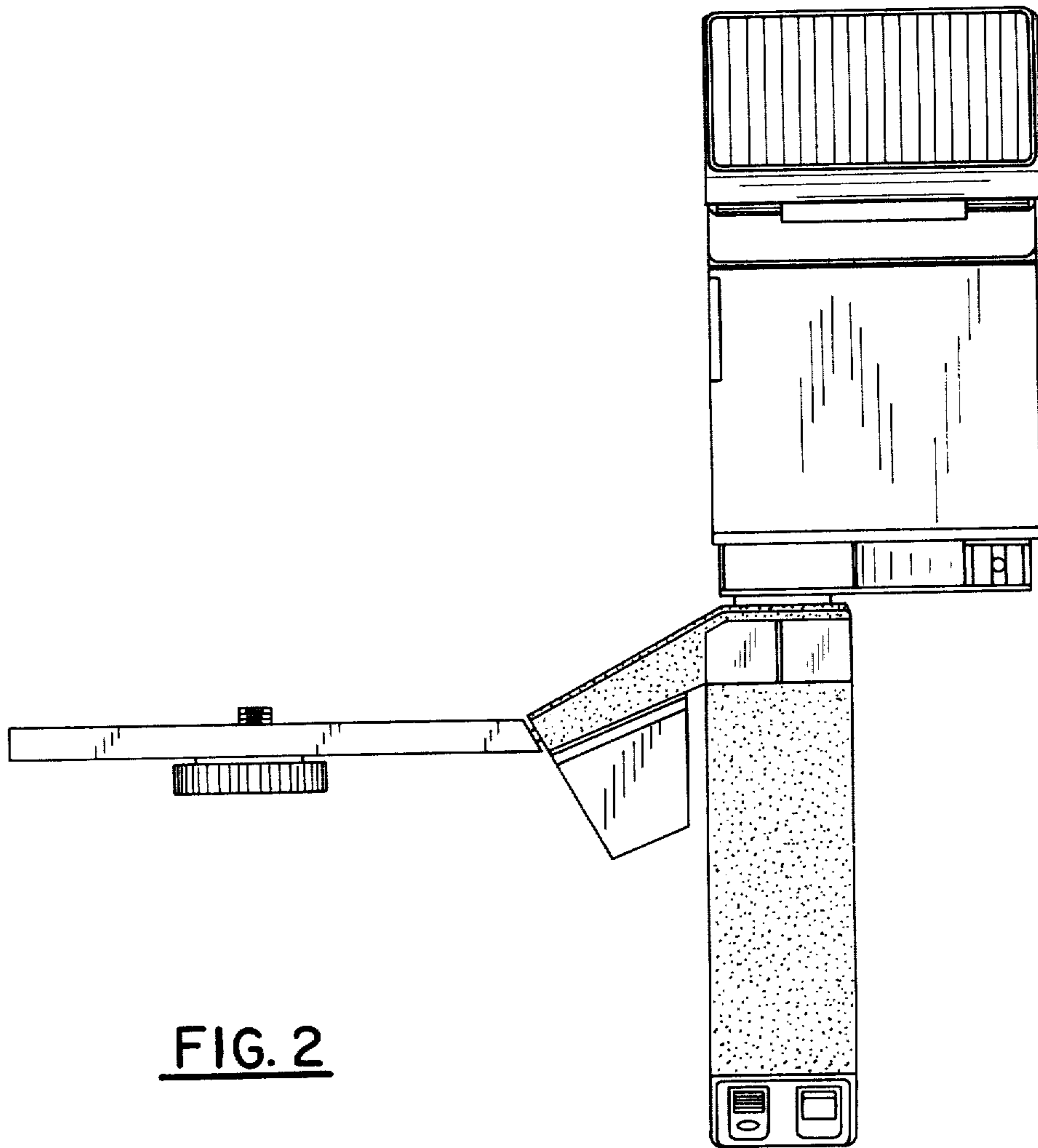


FIG. 2

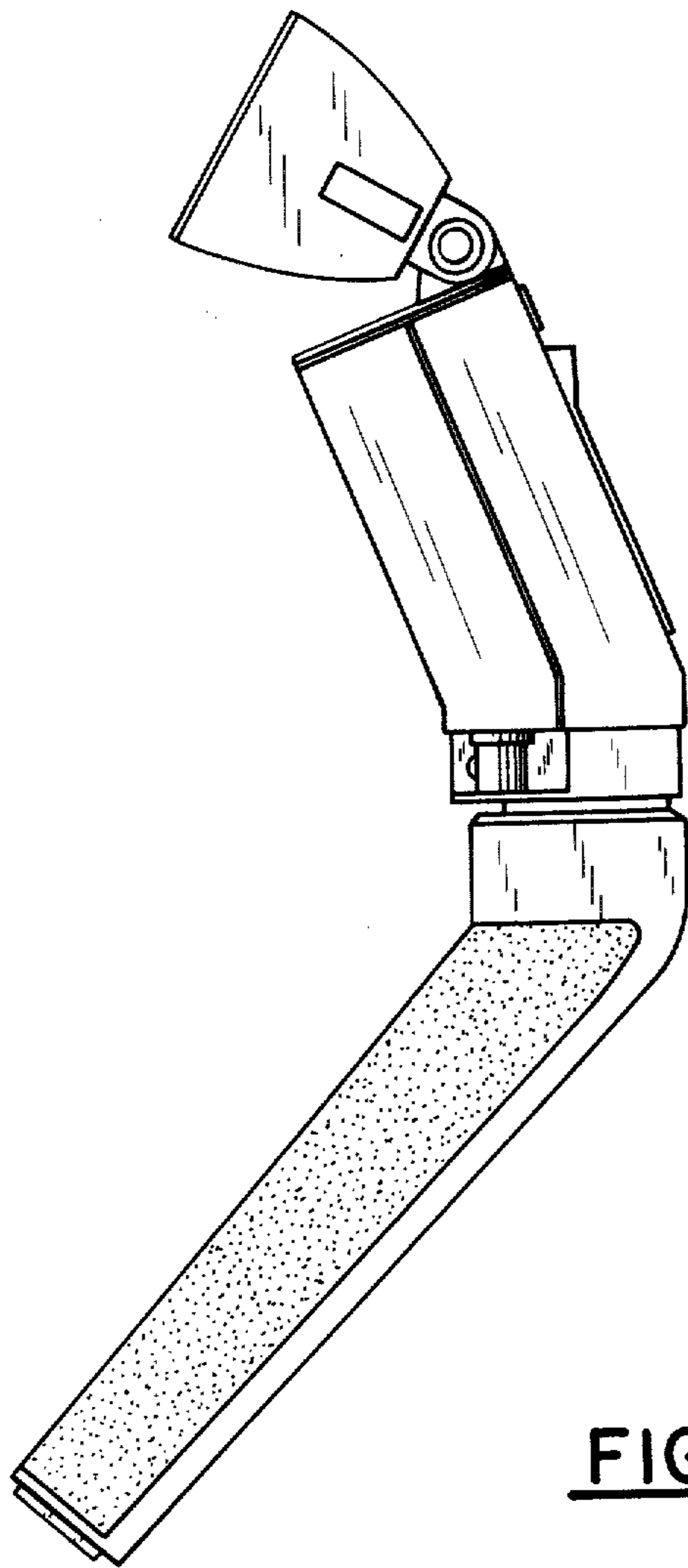


FIG. 3

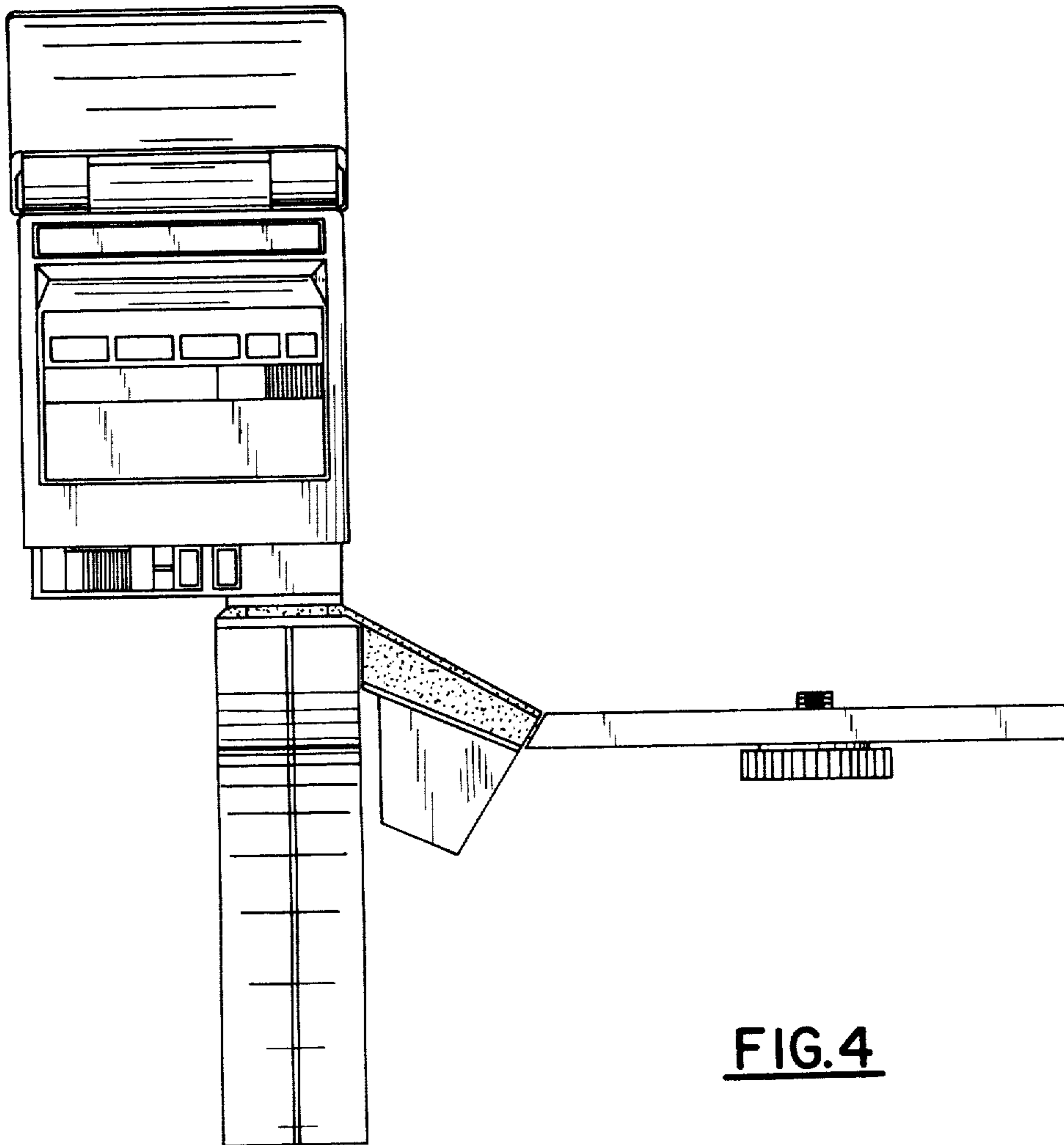


FIG.4