

[54] TIRE STRIPPING MACHINE OR THE LIKE

4,072,072 2/1978 Harb 82/54
4,238,980 12/1980 Frame 82/54

[76] Inventor: Ronald L. Meyer, 8710 Cory La.,
Boise, Id. 83704

Primary Examiner—B. J. Bullock
Attorney, Agent, or Firm—David O'Reilly

[**] Term: 14 Years

[57] CLAIM

[21] Appl. No.: 196,493

The ornamental design for a tire stripping machine or
the like, substantially as shown and described.

[22] Filed: Oct. 14, 1980

DESCRIPTION

[51] Int. Cl. D15—09

[52] U.S. Cl. D15/130; D15/127;
D15/199

[58] Field of Search D15/127, 130, 199;
82/54, 58, 59, 82

FIG. 1 is a perspective view of a tire stripping machine
or the like showing the new design;
FIG. 2 is a front elevational view thereof;
FIG. 3 is a rear elevational view thereof;
FIG. 4 is a top plan view thereof, the bottom being flat
and unornamented;
FIG. 5 is a side elevational view taken from the left of
FIG. 1;
FIG. 6 is a side elevational view taken from the right of
FIG. 1.

[56] References Cited

U.S. PATENT DOCUMENTS

3,701,296 10/1972 Snow 82/58
3,830,120 8/1974 Peterson 82/54

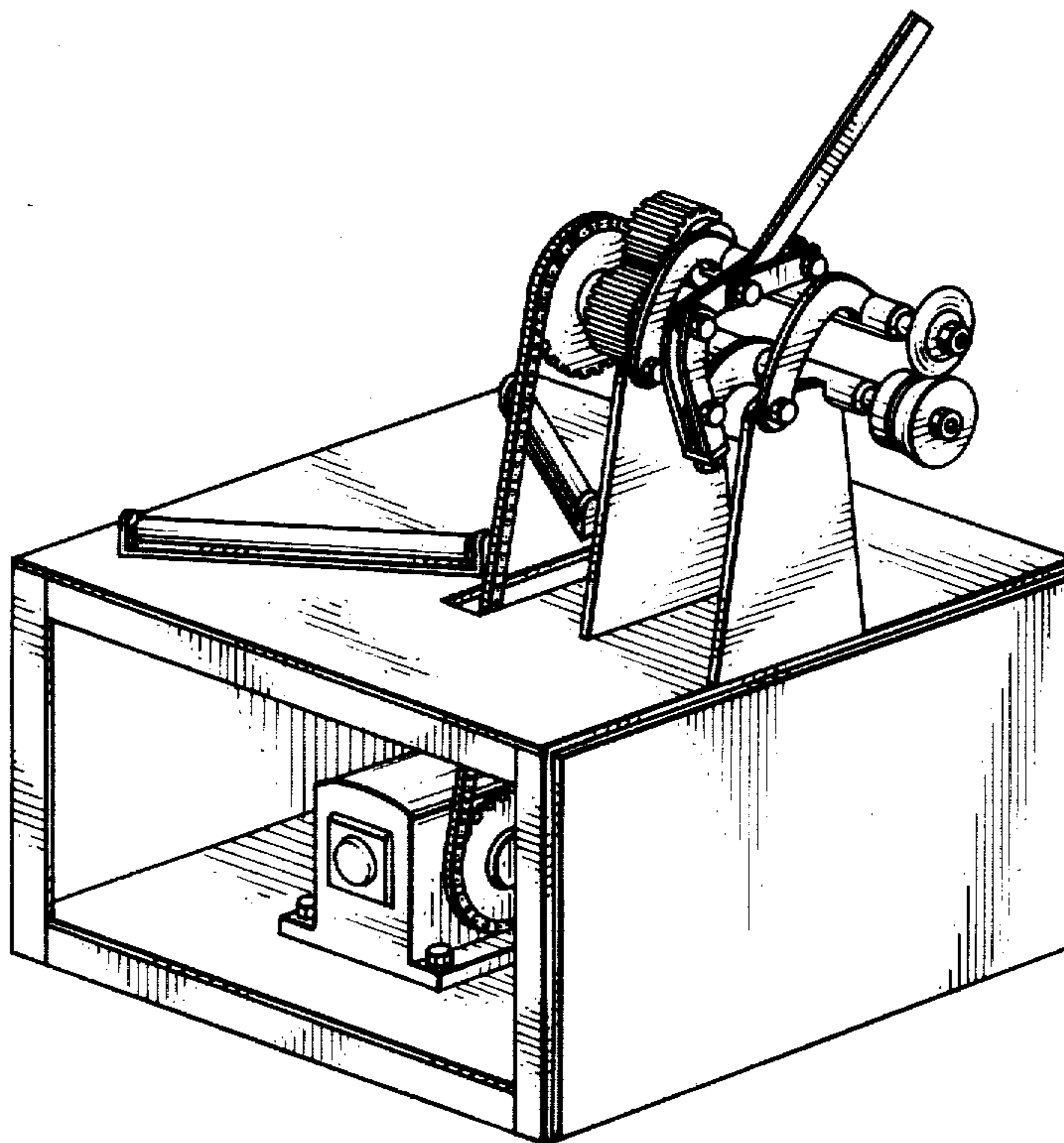


Fig. 1.

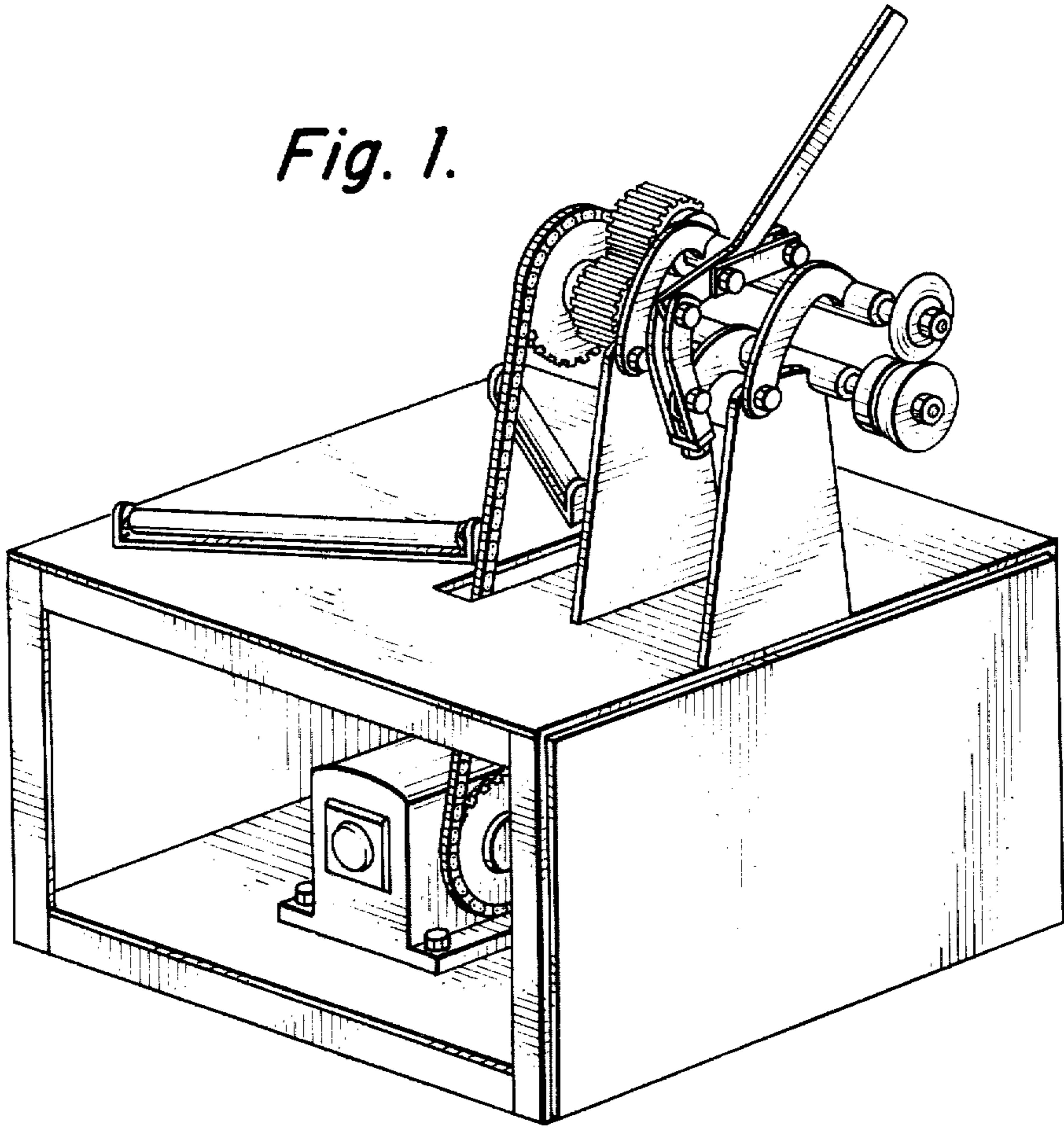
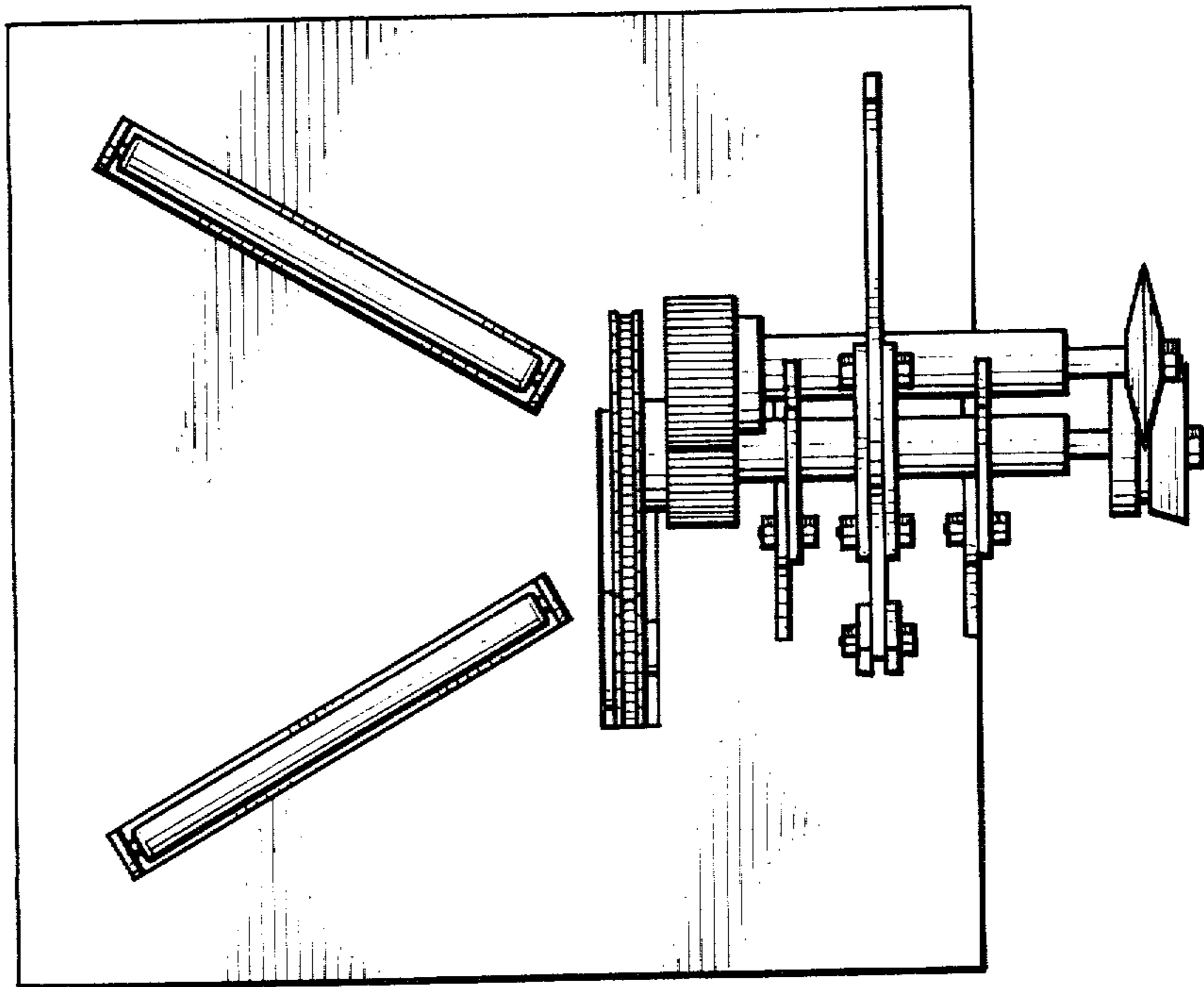


Fig. 4.



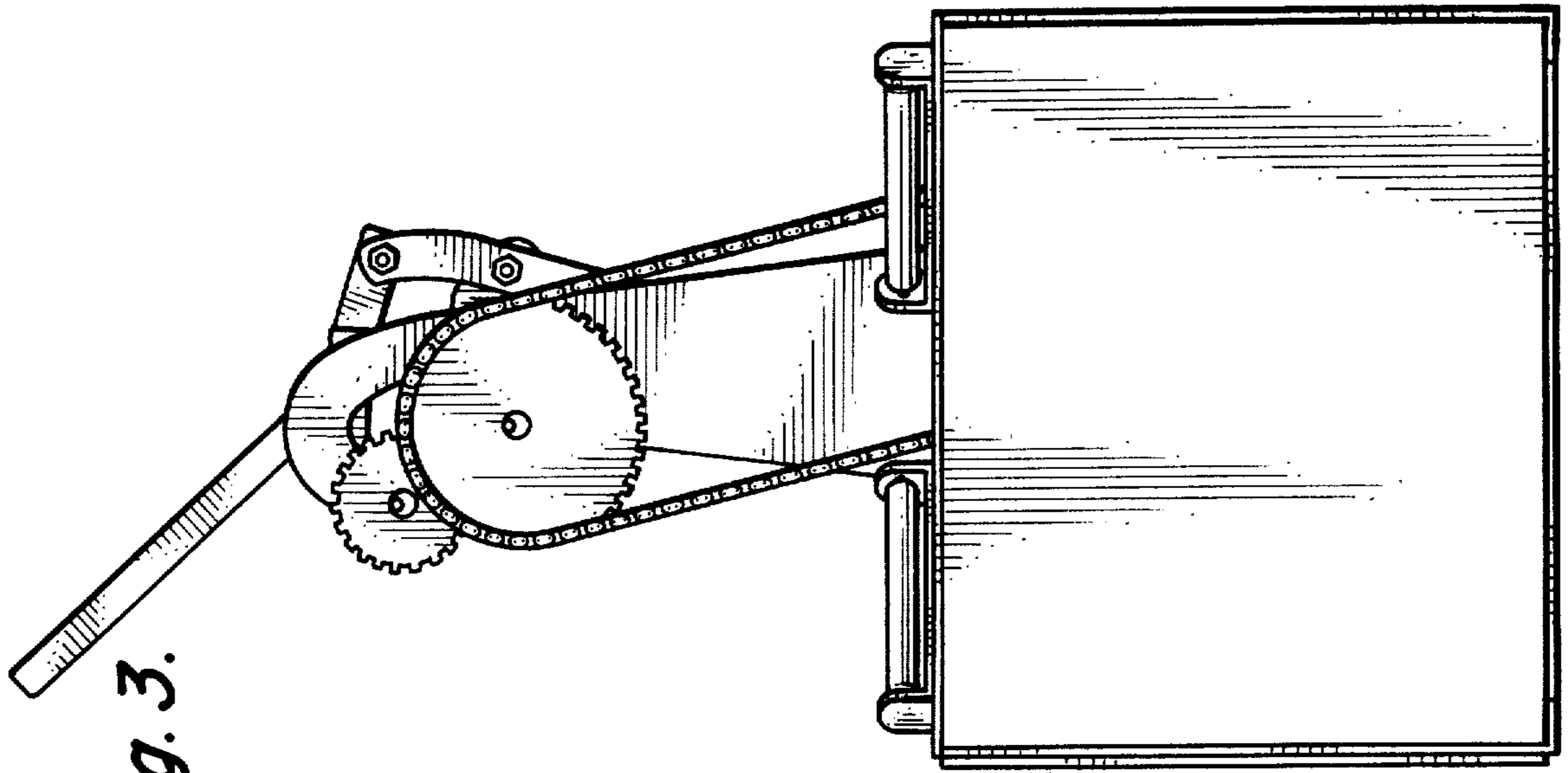


Fig. 3.

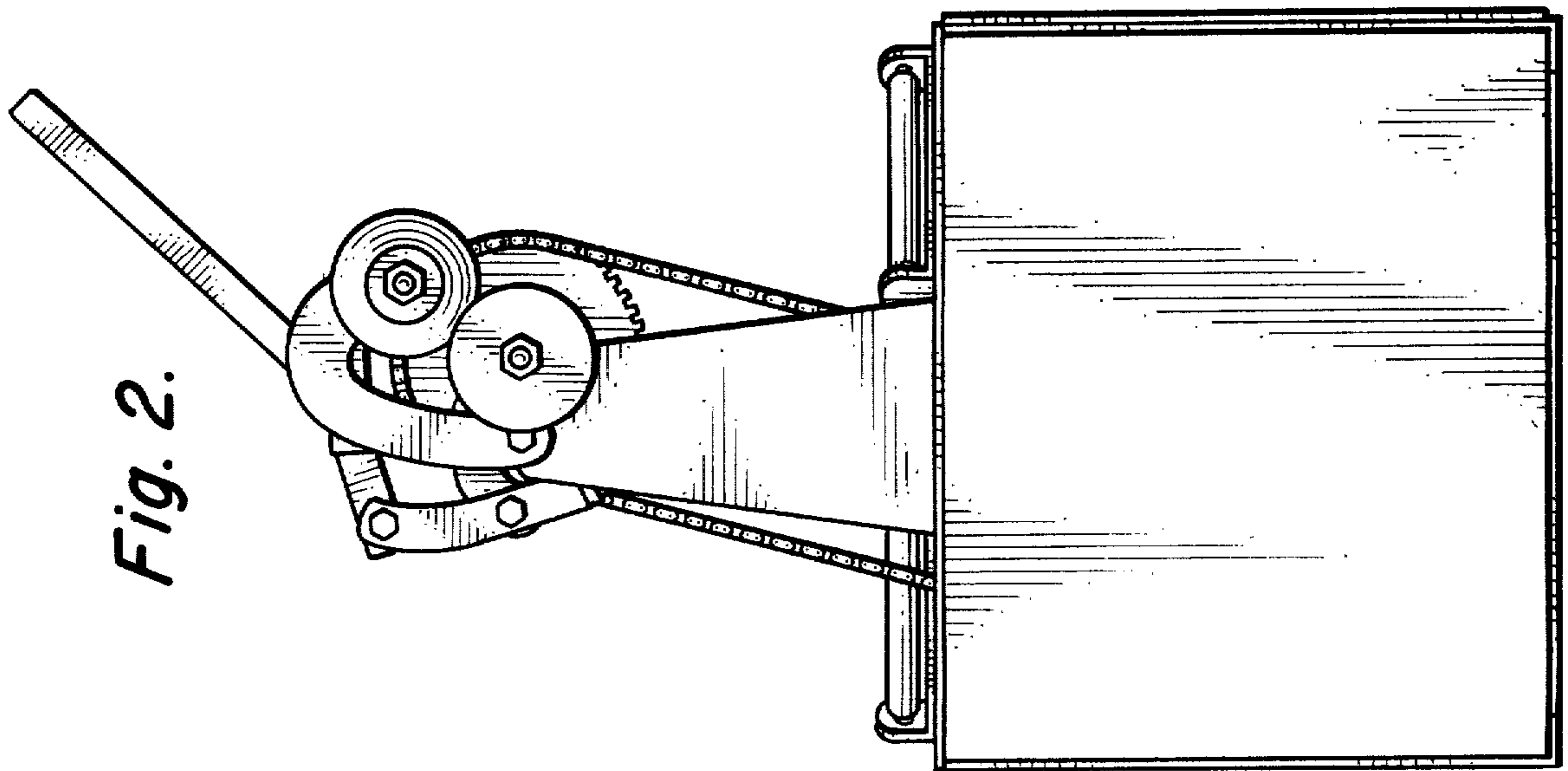


Fig. 2.

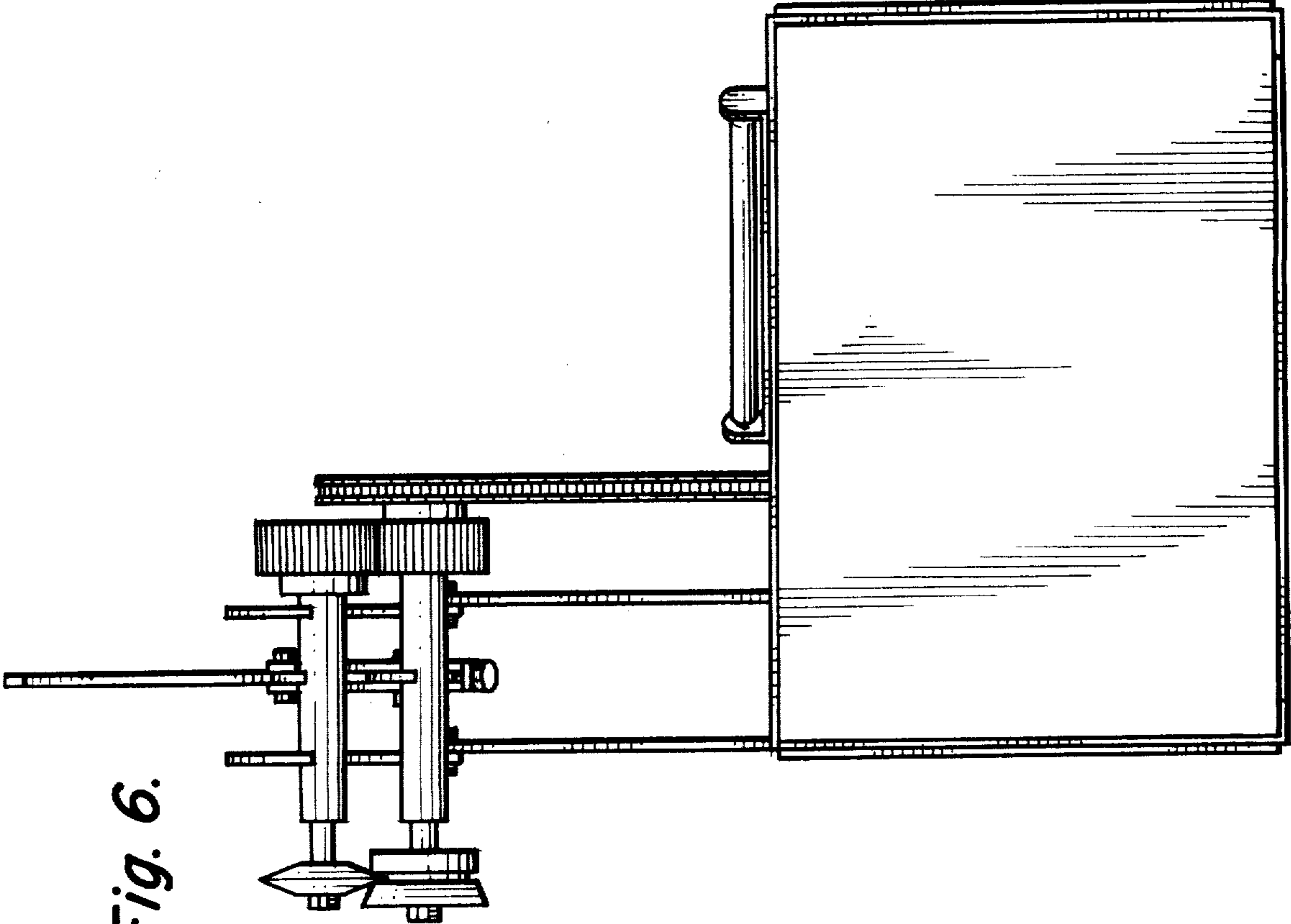


Fig. 6.

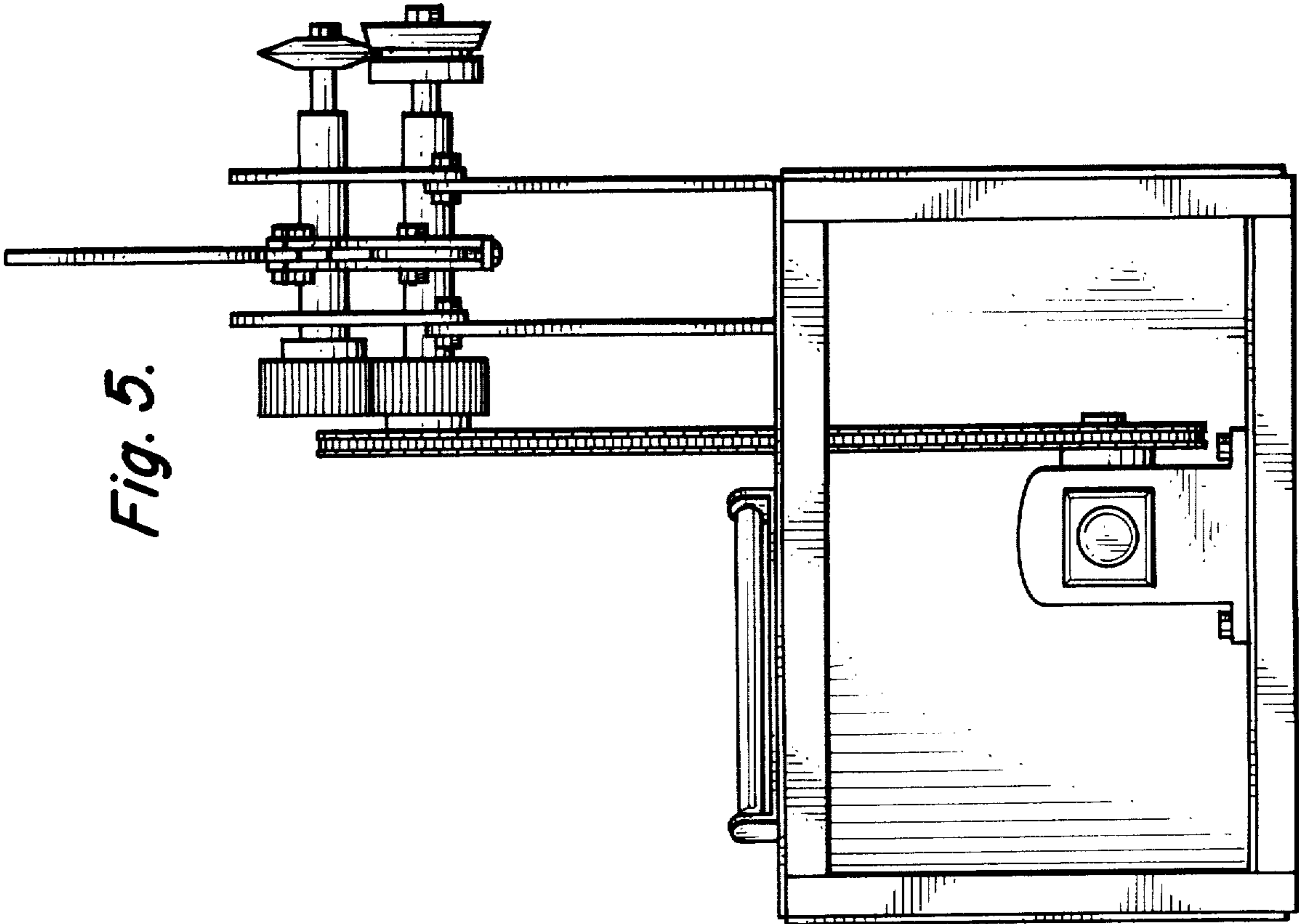


Fig. 5.