

[54] **STEERING WHEEL, OR THE LIKE**

[75] Inventor: **Tommy A. Poteet, Sylmar, Calif.**

[73] Assignee: **Whittar Industries, Ltd.,
Bannockburn, Ill.**

[**] Term: **14 Years**

[21] Appl. No.: **183,351**

[22] Filed: **Sep. 2, 1980**

[51] Int. Cl. **D12-16**

[52] U.S. Cl. **D12/176**

[58] Field of Search **D12/176; 74/552**

[56] **References Cited**

U.S. PATENT DOCUMENTS

- | | | | |
|------------|---------|--------------------|---------|
| D. 222,448 | 10/1971 | Faul et al. | D12/176 |
| D. 243,078 | 1/1977 | Marker et al. | D12/176 |
| 3,331,260 | 7/1967 | Zeller | 74/552 |

FOREIGN PATENT DOCUMENTS

2058694 4/1981 United Kingdom 74/552

OTHER PUBLICATIONS

Motor Trend, 6/73, p. 91, 500 Rubber Steering Wheel,
center of page.

Primary Examiner—James M. Gandy
Attorney, Agent, or Firm—Donald E. Nist

[57] **CLAIM**

The ornamental design for a steering wheel, or the like,
substantially as shown and described.

DESCRIPTION

FIG. 1 is a top plan view of the steering wheel, or the
like, showing my new design.

FIG. 2 is a front elevational view thereof;

FIG. 3 is a rear elevational view thereof;

FIG. 4 is a side elevational view thereof, the opposite
side being a mirror image of that shown; and

FIG. 5 is a bottom plan view thereof.

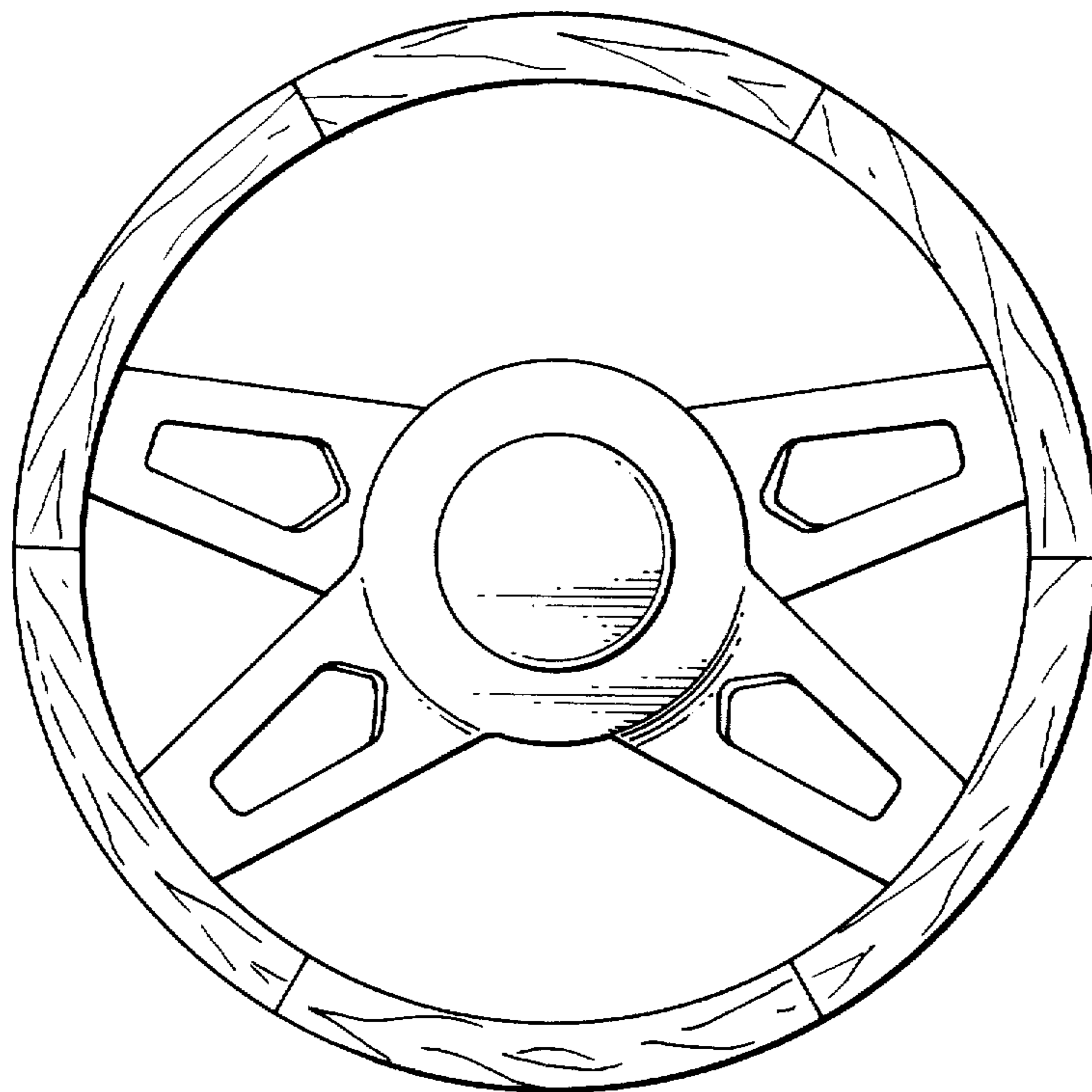


FIG. 1.

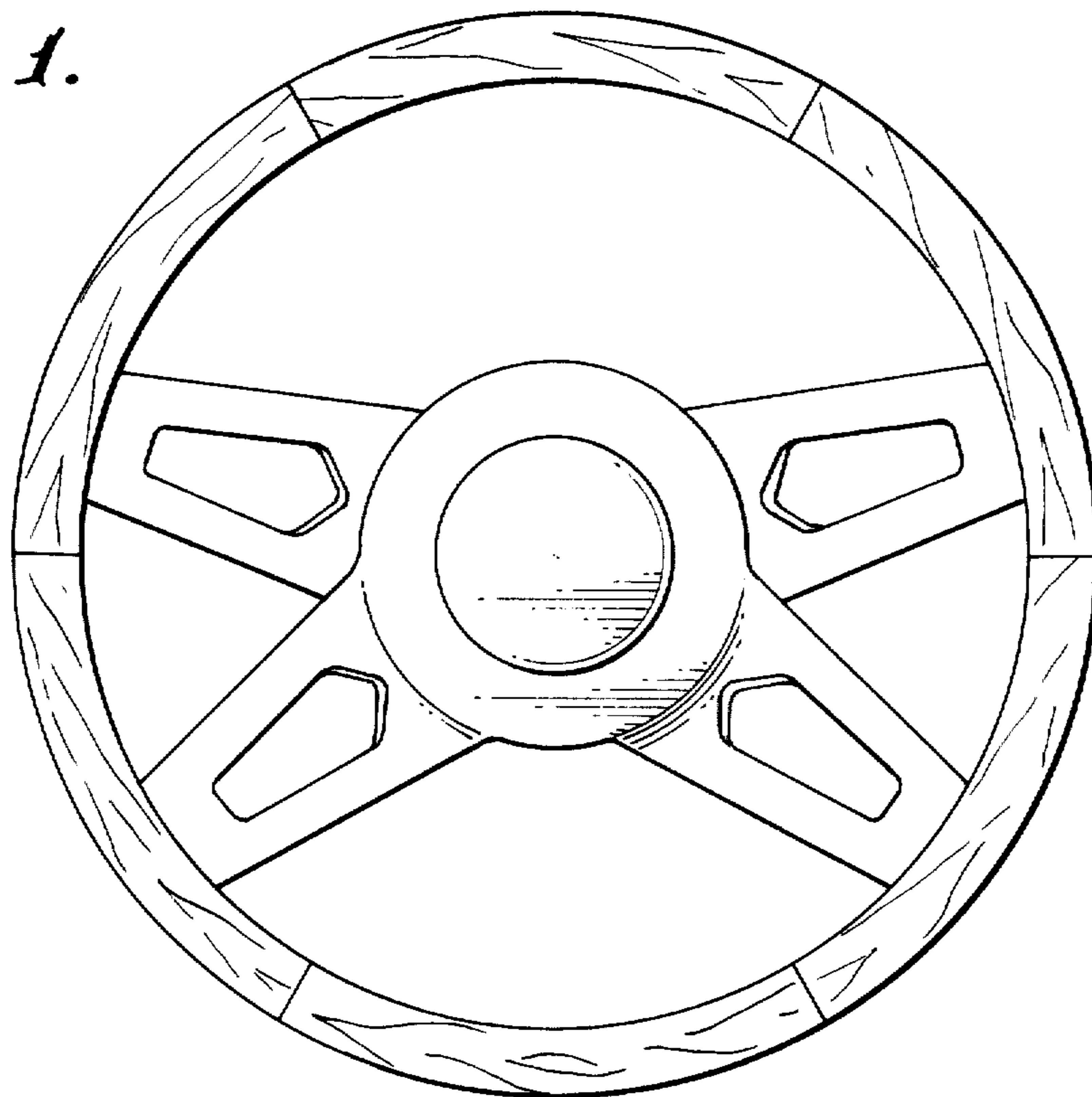


FIG. 2.

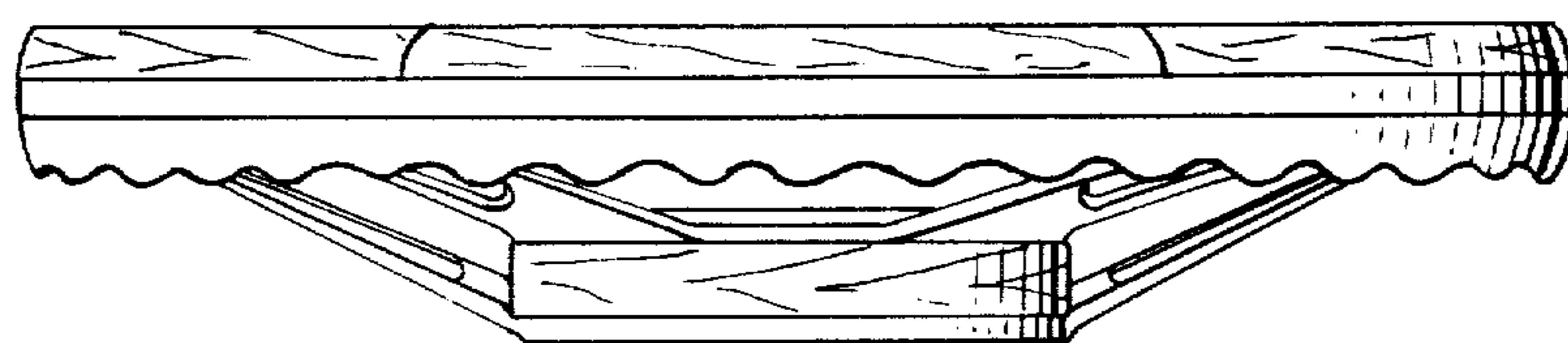


FIG. 3.

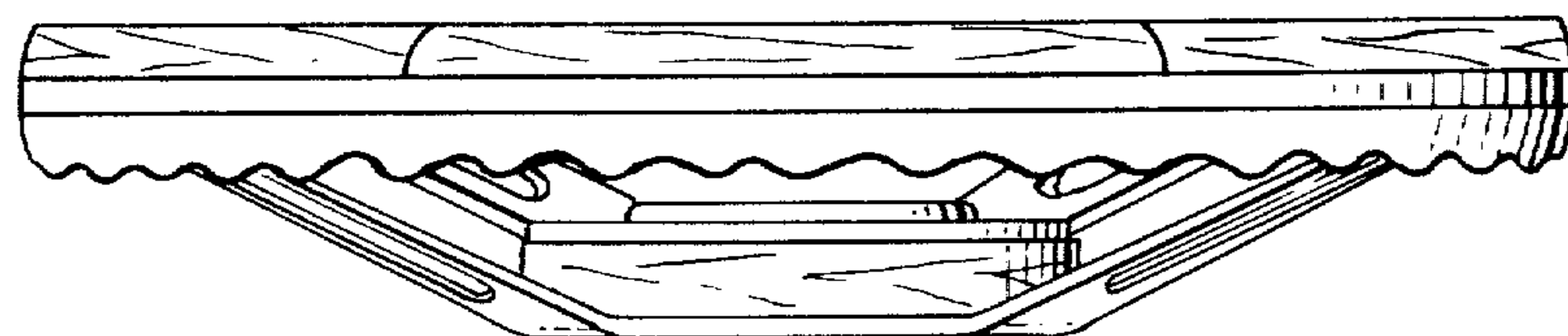


FIG. 4.



FIG. 5.

